



VENTURO
TRUCK MOUNTED CRANES

ET8K(X)

*EF*AAA-***

INSTALLATION & OWNER'S MANUAL

TABLE OF CONTENTS

ET8K(X) INSTRUCTION MANUAL

SECTION 100 DESCRIPTION & SPECIFICATIONS

21821	INSTALLATION DIMENSIONS - ET8K(X)
21592	21571 BASE MOUNTING DIMENSIONS
21701	CAPACITY CHART - ET8K(X)
16941	TYPICAL REINFORCEMENT FOR MOUNTING CRANE ON TOP OF SERVICE BODY
21594	INSTALLATION DRAWING - 21571 MOUNTING PEDESTAL
22686	INSTALLATION DRAWING - 18500-CD MANUAL OUTRIGGER
13509	INSTALLATION DIMENSIONS - 13500 MANUAL OUTRIGGER SIDE BRACKET
I23961	INSTALLATION DIMENSIONS - 23961 MANUAL OUTRIGGER SIDE BRACKET
I23960	INSTALLATION DIMENSIONS - 23960 MANUAL OUTRIGGER FOLD AWAY TYPE

SECTION 150 SAFETY

850711	SAFETY & HAZARDS - GENERAL
15394	VEHICLE & CRANE ELECTRICAL HAZARD INFORMATION
21822	DECAL PLACEMENT
21353	SAFETY DECALS
21354	DECALS FOR ET CRANES
21362	MISCELLANEOUS DECALS - ET8/12K(X)
21825	MODEL AND CAPACITY DECALS - ET8K(X)

SECTION 200 INSTALLATION

711105	CABLE & BATTERY REQUIREMENTS - ET AND HT CRANES
15660	BATTERY CABLE INSTALLATION DRAWING
▲ 20906-8	ET8K, ET8KX STABILITY TEST
▲ 20907	STABILITY CHART
900530a	ET8/10/12K(X) OPERATION & MAINTENANCE INSTRUCTIONS (PAGE 1 OF 4)
900530b	ET8/10/12K(X) OPERATION & MAINTENANCE INSTRUCTIONS (PAGE 2 OF 4)
900530c	ET8/10/12K(X) OPERATION & MAINTENANCE INSTRUCTIONS (PAGE 3 OF 4)
22245	WIRE ROPE INSTALLATION DRAWING
20872	ADJUSTABLE BOOM REST

SECTION 300 MAINTENANCE & SERVICE

▲ 21306	ET8/12/18K(X) OPERATION & MAINTENANCE INSTRUCTIONS (PAGE 4 OF 4)
19963	MINIMUM VOLTAGE TEST
▲ 23225	WIREROPE AND HOOK SPECIFICATIONS

SECTION 400 REPLACEMENT PARTS

21826	ET8K(X) REPLACEMENT PARTS DRAWING
21827	ET8K(X) REPLACEMENT PARTS LIST
21828	ET8K(X) REPLACEMENT FASTENER LIST
21600	21515 ELECTRICAL COMPONENT ASSEMBLY
21737	ELECTRICAL SYSTEM SCHEMATIC - ET8K
21658	ELECTRICAL SYSTEM SCHEMATIC - ET8/12KX
21654	HYDRAULIC SYSTEM COMPONENTS REPLACEMENT PARTS DRAWING
21602	HYDRAULIC SYSTEM SCHEMATIC - ET12KX
21584	16770 SWIVEL TERMINAL ASSEMBLY REPLACEMENT PARTS
19791	REPLACEMENT PARTS - 3 FUNCTION PENDANT CONTROL
20161	REPLACEMENT PARTS - 4 FUNCTION PENDANT CONTROL
21834	21729 BOOM ASSEMBLY REPLACEMENT PARTS
21829	21719 BOOM ASSEMBLY REPLACEMENT PARTS
21741	21556 WINCH REPLACEMENT PARTS DRAWING & LIST
22689	REPLACEMENT PARTS - 18500-CD MANUAL OUTRIGGER
21833	FIELD SERVICE LABEL KIT

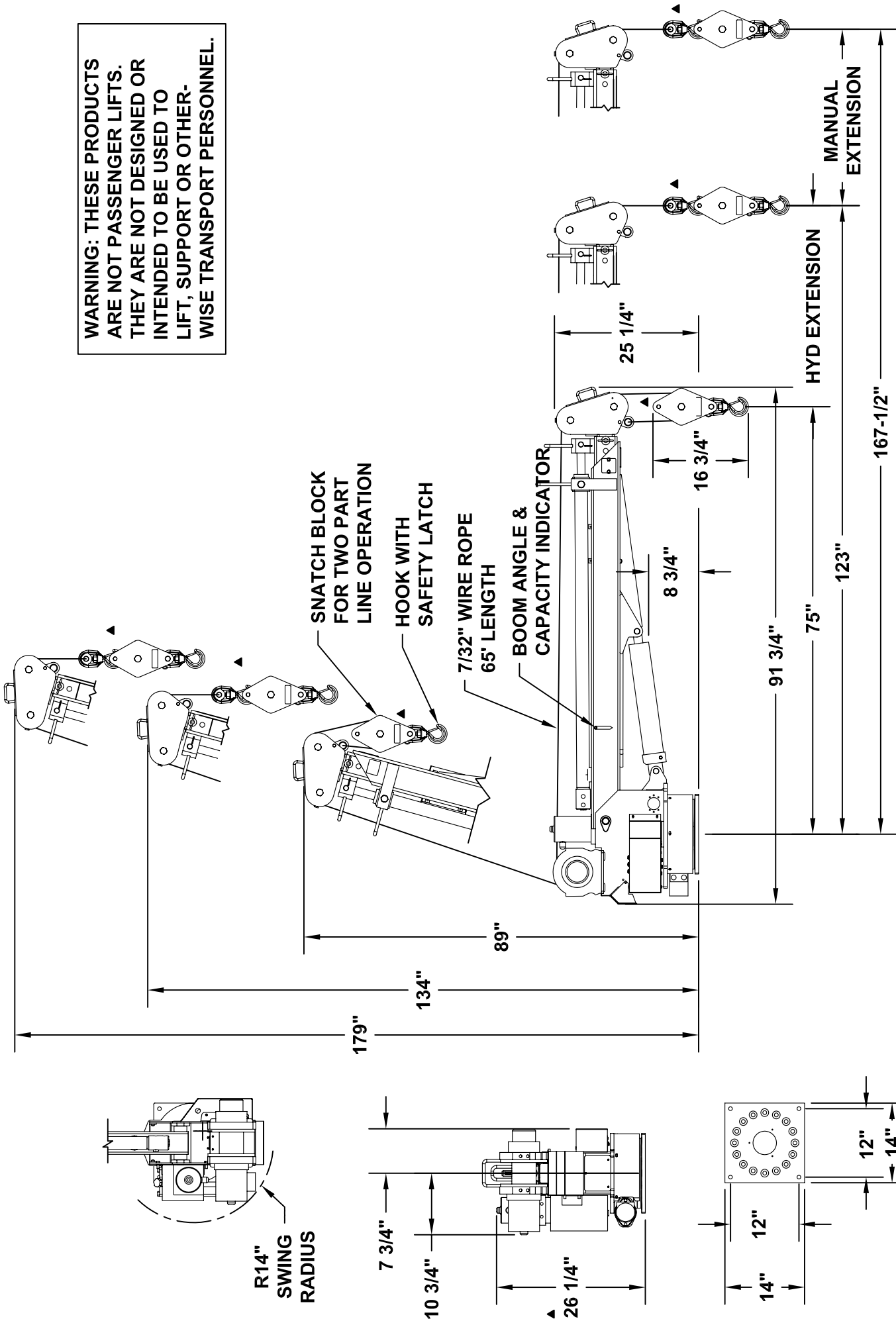
SECTION 100

DESCRIPTION

&

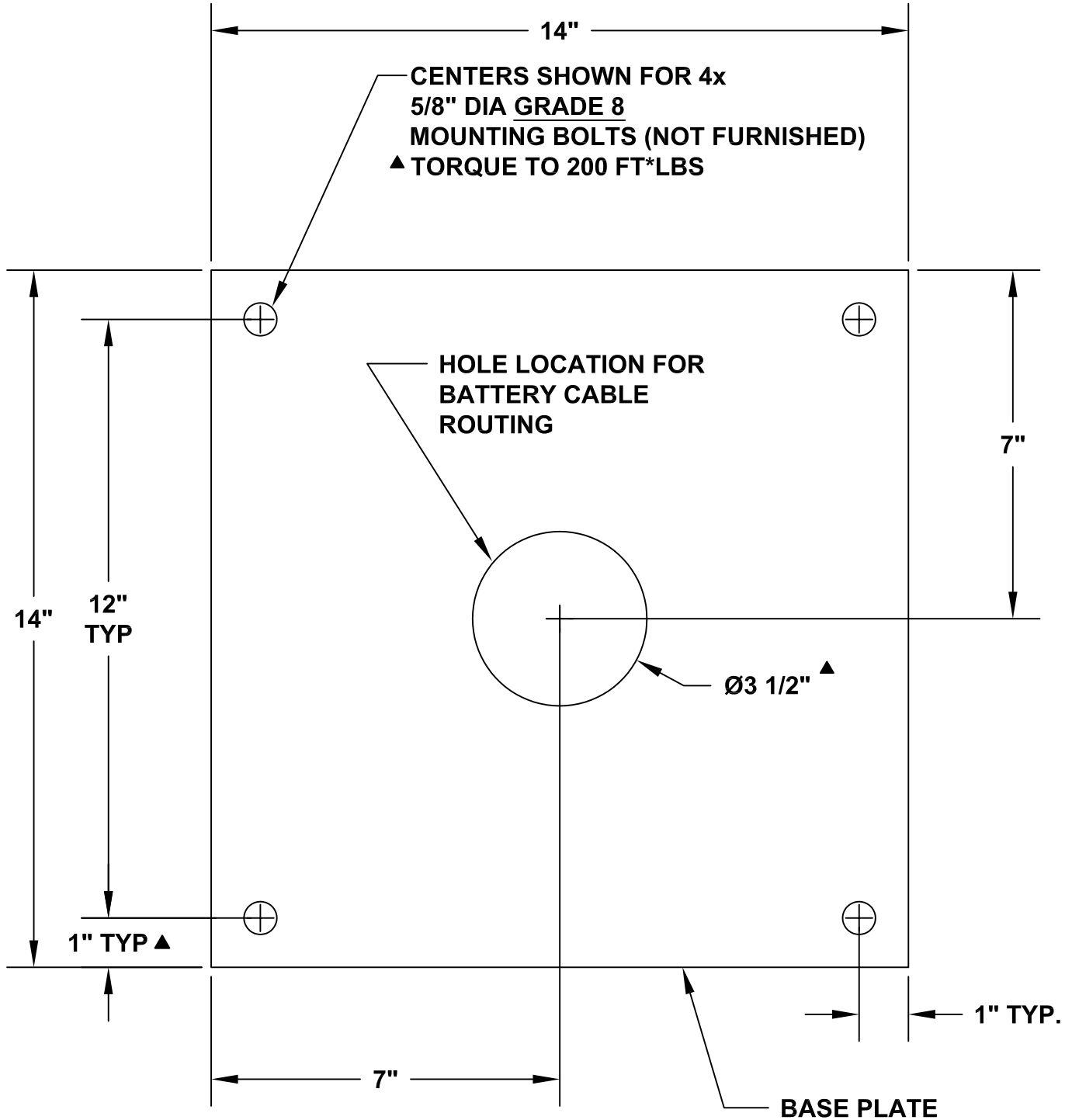
SPECIFICATIONS

WARNING: THESE PRODUCTS ARE NOT PASSENGER LIFTS. THEY ARE NOT DESIGNED OR INTENDED TO BE USED TO LIFT, SUPPORT OR OTHERWISE TRANSPORT PERSONNEL.

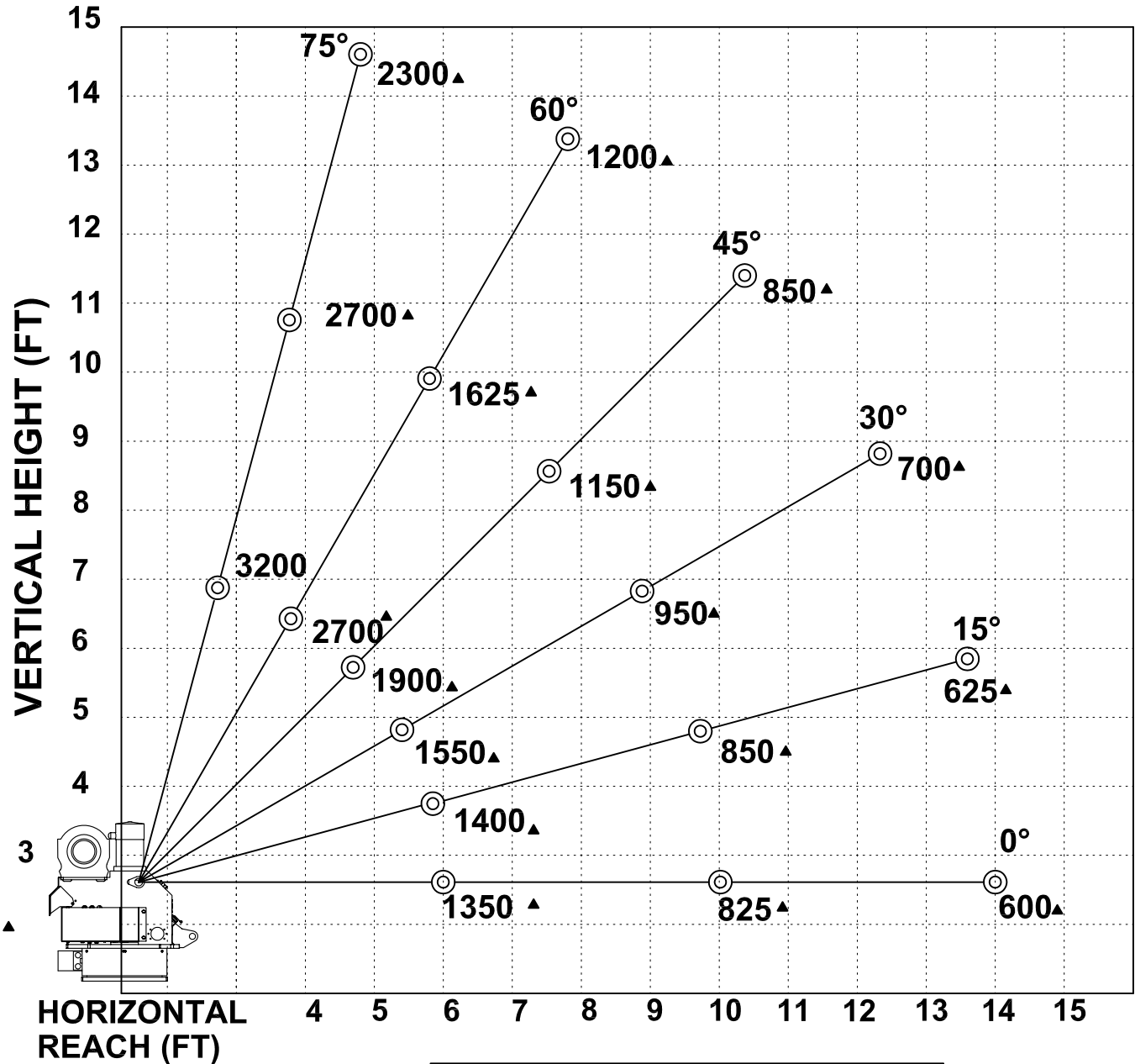


VENTURO MANUFACTURING, INC. CINCINNATI, OHIO	TITLE INSTALLATION DRAWING	DATE 7-6-10C	SECTION -
	ET8K(X), W/ 6 - 10 - 14FT BOOM	SUPERSEDES 7-22-08B	21821

MOUNTING HOLE TEMPLATE

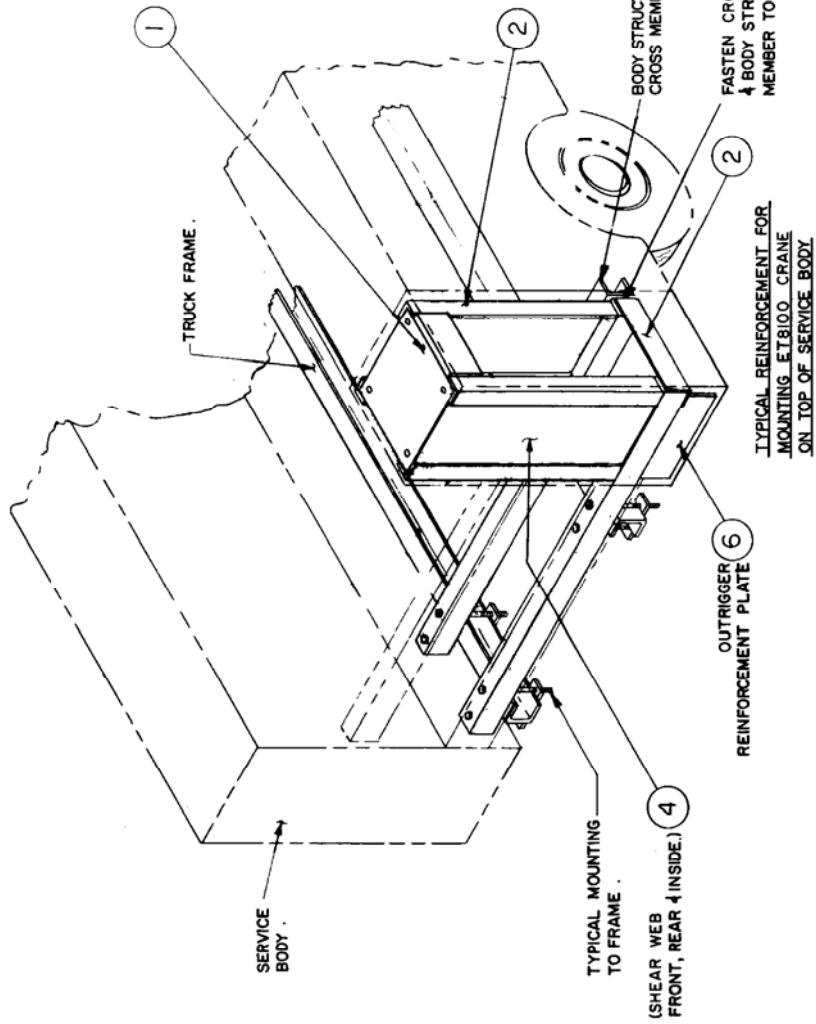


ET8K(X) MAXIMUM CAPACITY CHART



**MUST USE SNATCH BLOCK
FOR LOADS OF 1600 LBS.
AND GREATER**

ITEM NO.	DESCRIPTION	MINIMUM RECOMMENDED MATERIAL SIZE
1	TOP PLATE	STEEL PLATE
2	CORNER POST	3" x 3" x 1/4" STEEL ANGLE
4	SHEAR WEB	12 Ga.
6	OUTRIGGER REINFORCEMENT PLATE	3/16" THICK STEEL PLATE
7	GUSSET	1/4" x 4" H.R. STEEL



VENTURO® MANUFACTURING, INC.
CINCINNATI, OHIO

TITLE
INSTALLATION DRAWING

ET8/12K(X)

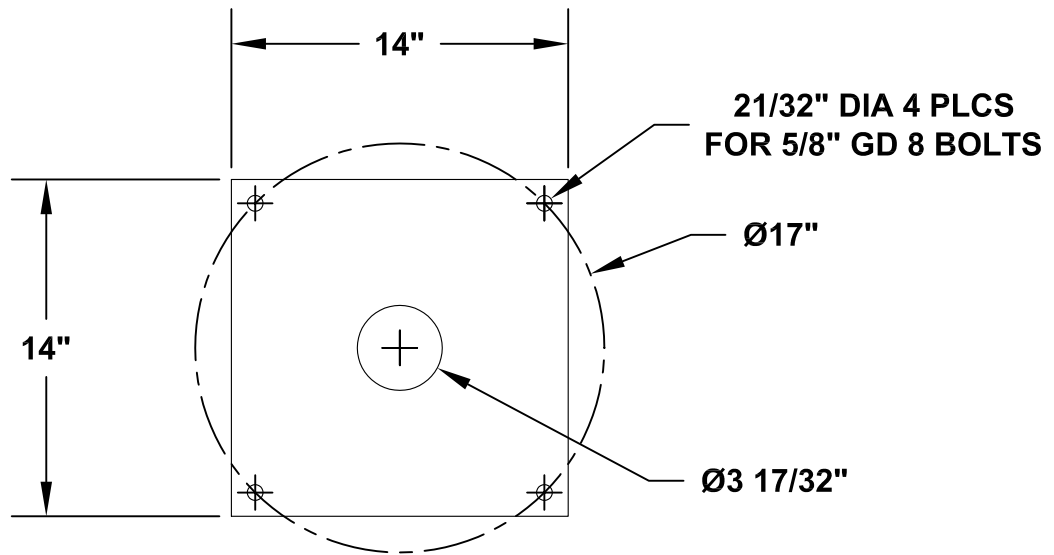
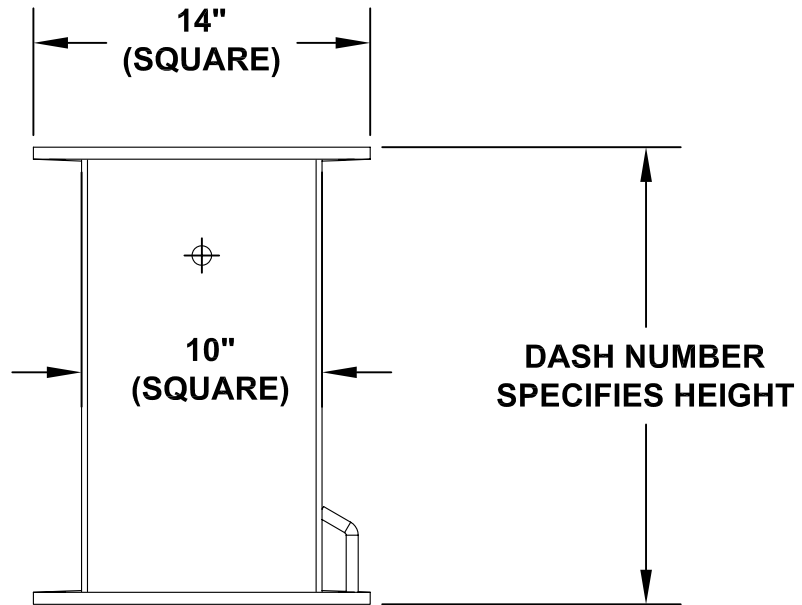
DATE
7-27-06A

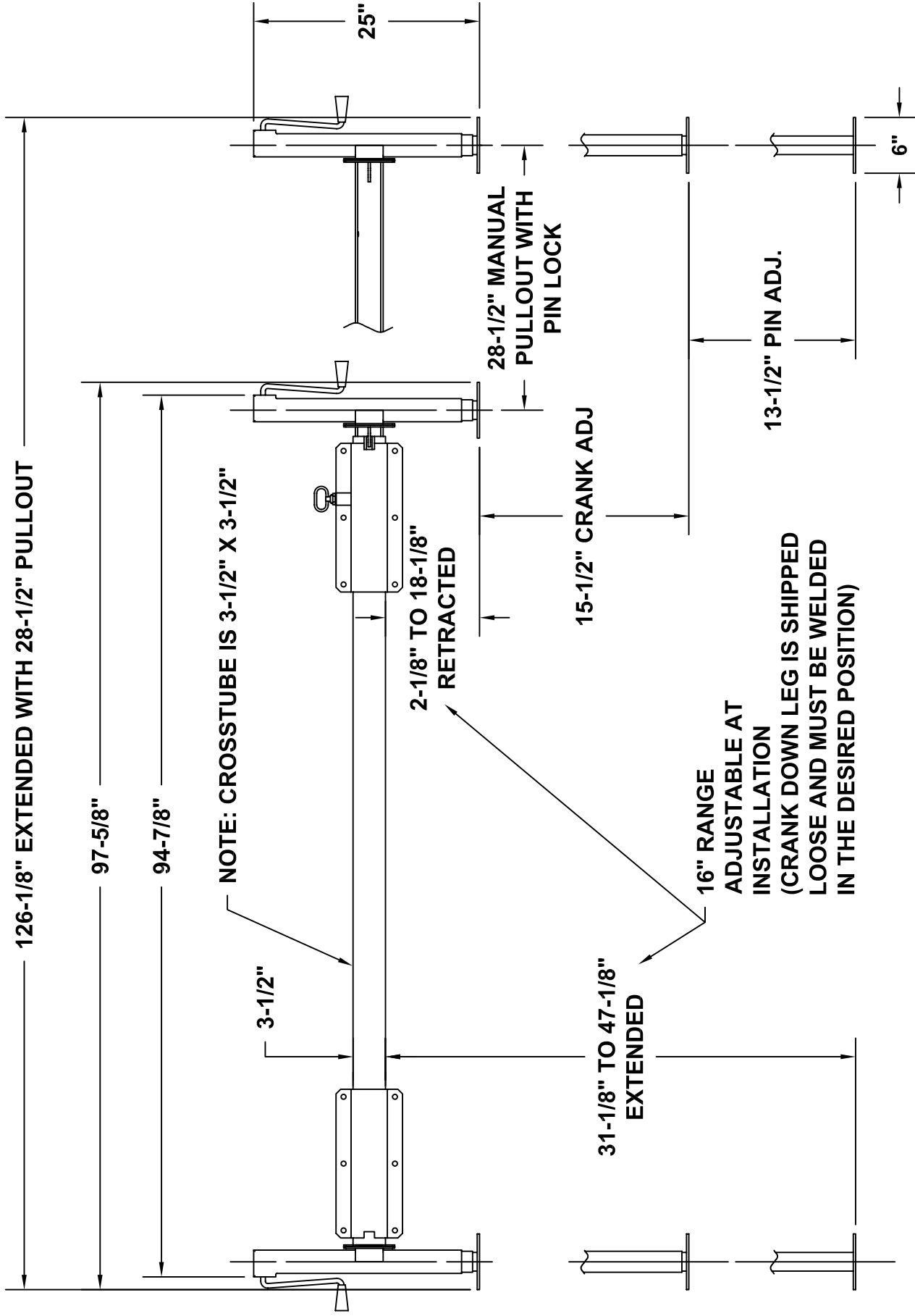
SUPERSEDES
5-26-06

SECTION
C100

16941

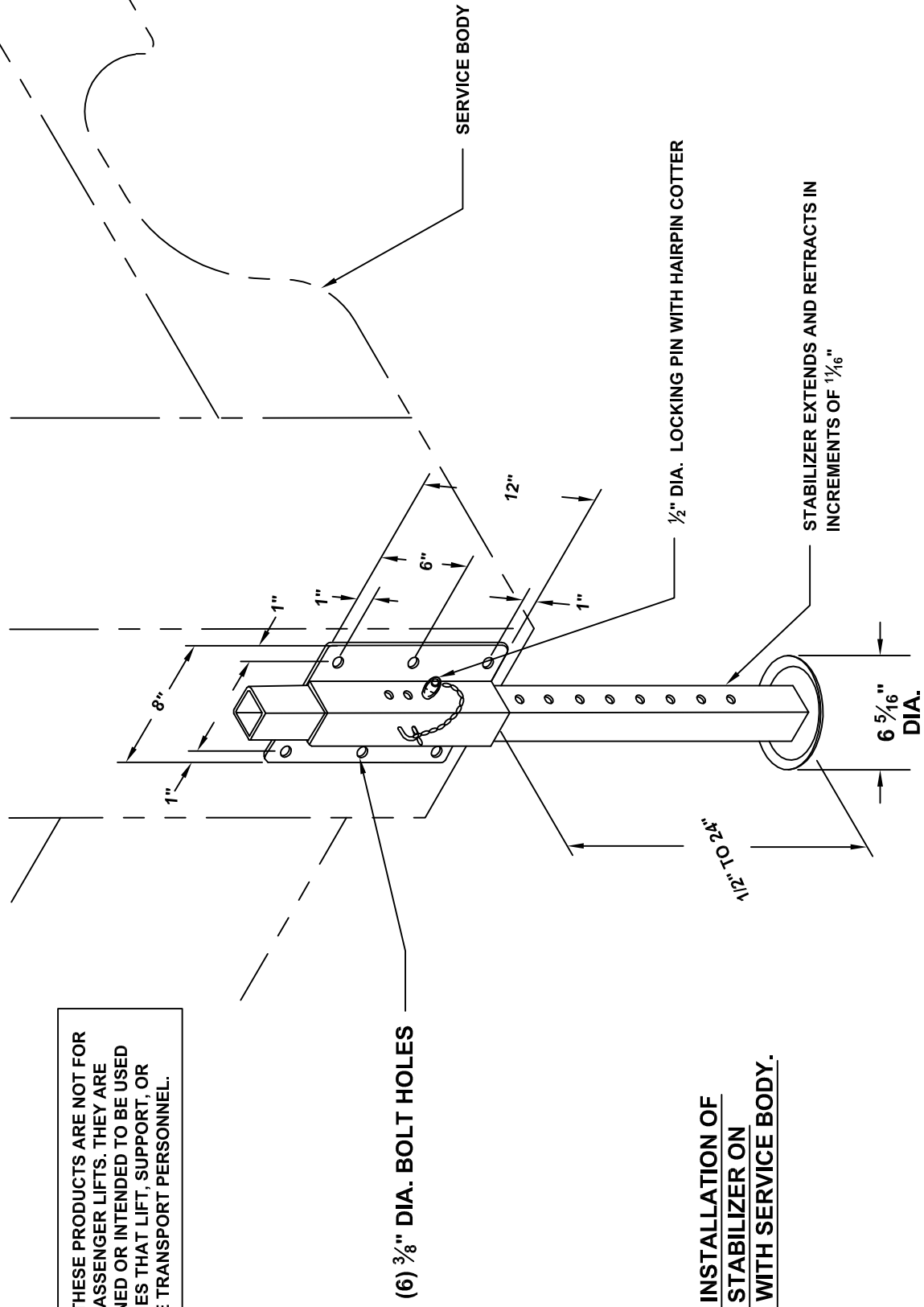
21571-XX MOUNTING PEDESTAL





13500 STABILIZER

WARNING: THESE PRODUCTS ARE NOT FOR USE WITH PASSENGER LIFTS. THEY ARE NOT DESIGNED OR INTENDED TO BE USED WITH DEVICES THAT LIFT, SUPPORT, OR OTHERWISE TRANSPORT PERSONNEL.



TYPICAL INSTALLATION OF
MANUAL STABILIZER ON
VEHICLE WITH SERVICE BODY.



TITLE
INSTALLATION DRAWING

DATE
04-25-12D

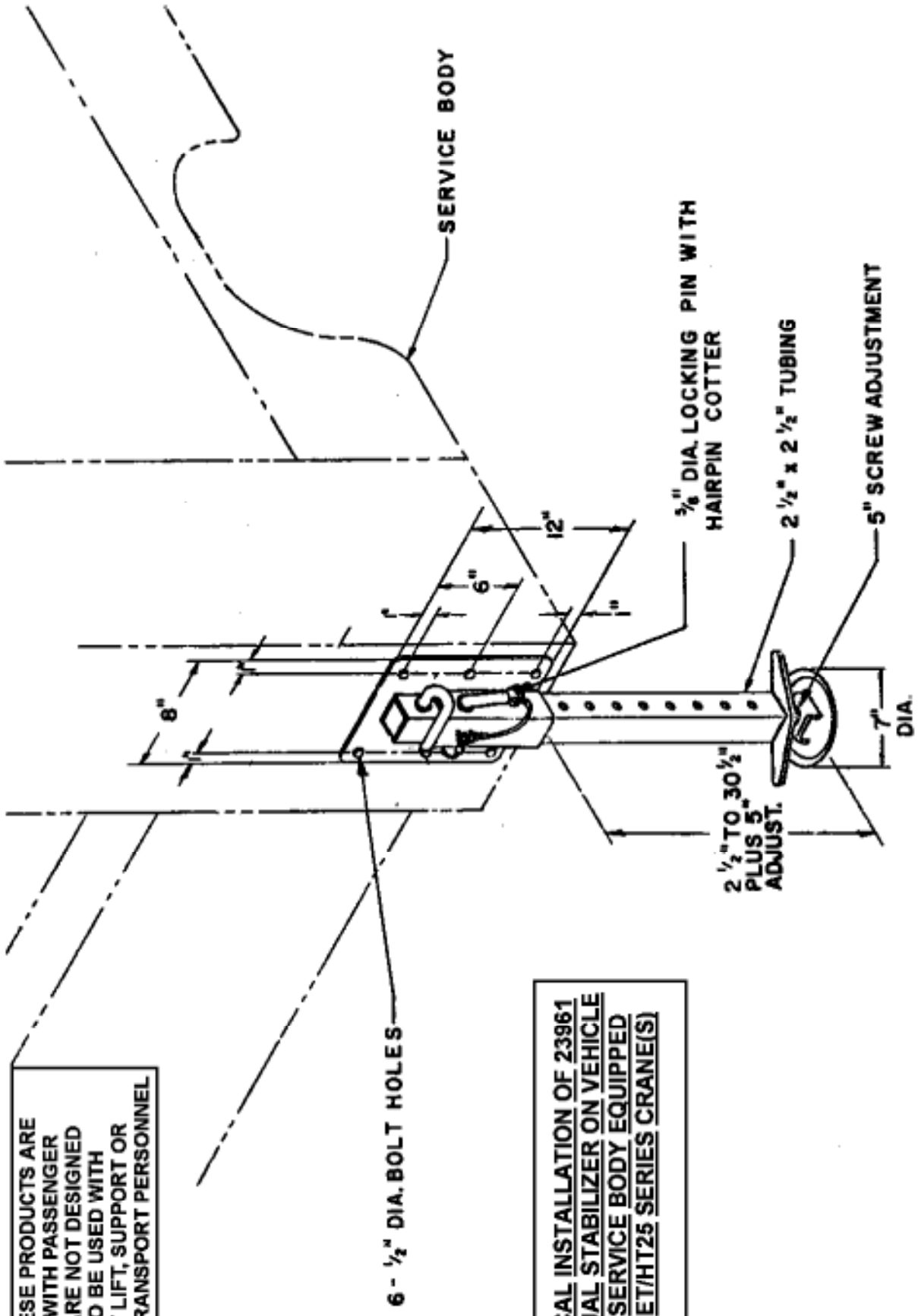
SUPERSEDES
06-17-98C

SECTION
C100

ET8/12K(X)

13509

WARNING: THESE PRODUCTS ARE NOT FOR USE WITH PASSENGER LIFTS. THEY ARE NOT DESIGNED OR INTENDED TO BE USED WITH DEVICES THAT LIFT, SUPPORT OR OTHERWISE TRANSPORT PERSONNEL



6 - 1/2" DIA. BOLT HOLES

TYPICAL INSTALLATION OF 23961 MANUAL STABILIZER ON VEHICLE WITH SERVICE BODY EQUIPPED WITH ET/HT25 SERIES CRANE(S)

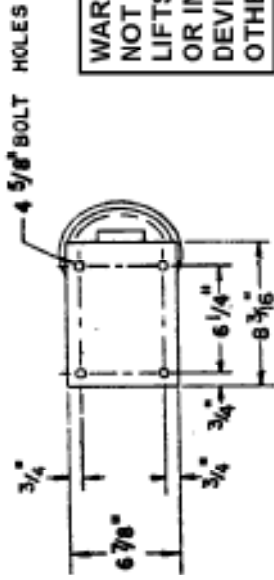


TITLE
INSTALLATION DRAWING
ET8/10/12/25K(X), HT25KX

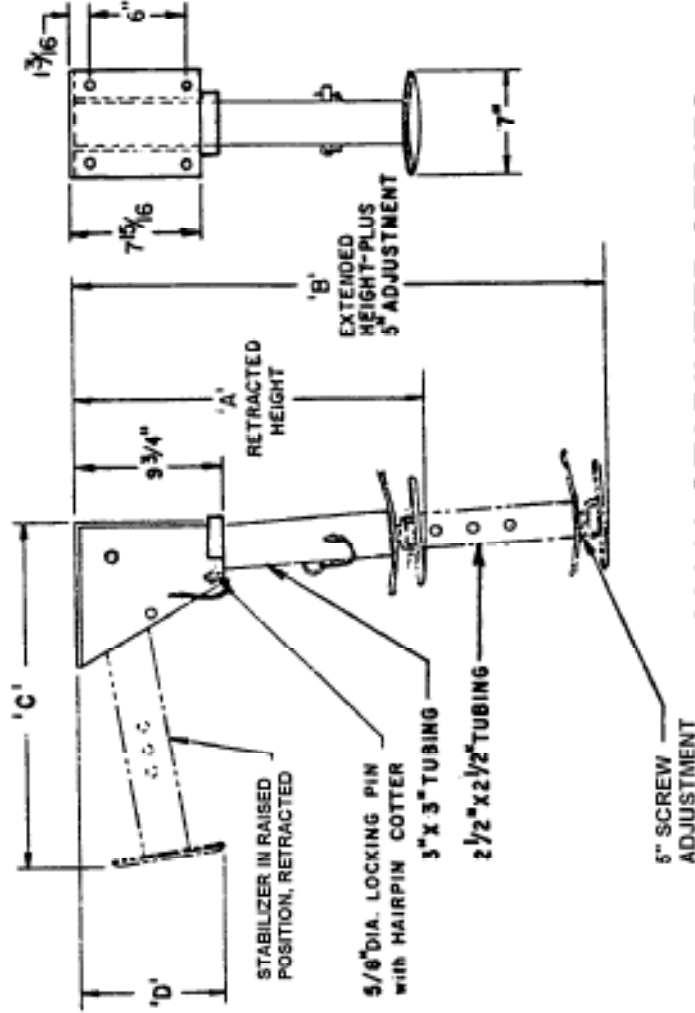
DATE 04-25-12G
SUPERSEDES 07-27-06F

SECTION C100
123961

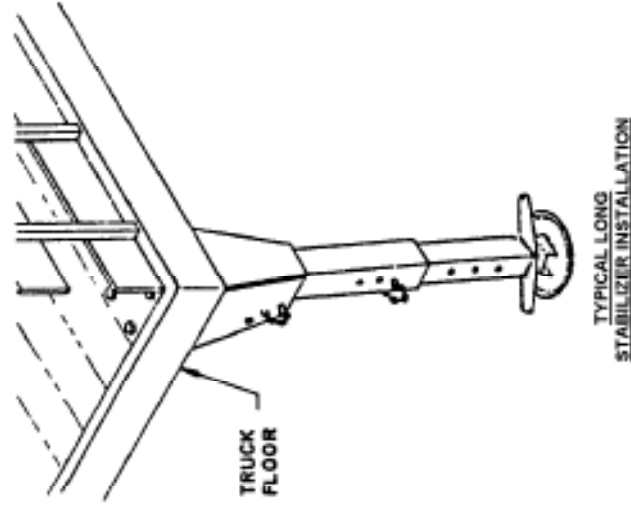
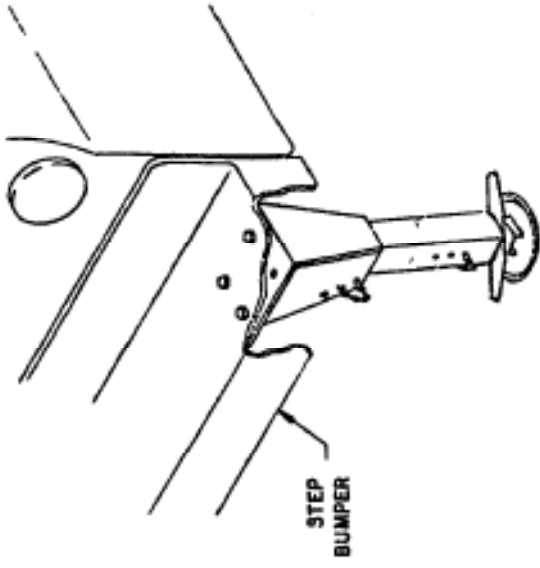
PART NO.	DESCRIPTION	'A'	'B'	'C'	'D'
23960-1	SHORT STABILIZER	20-1/2"	28-1/2"	21"	7-1/4"
23960-2	LONG STABILIZER	28-1/2"	44-1/2"	29"	10-1/2"



WARNING: THESE PRODUCTS ARE NOT FOR USE WITH PASSENGER LIFTS. THEY ARE NOT DESIGNED OR INTENDED TO BE USED WITH DEVICES THAT LIFT, SUPPORT OR OTHERWISE TRANSPORT PERSONNEL



**23960 STABILIZER SERIES
ET/HT25 SERIES CRANE(S)**



SECTION 150

SAFETY

CRANE SAFETY AND HAZARDS

ET CRANES ▲

CAUTIONS

1. INSPECT VEHICLE AND CRANE, INCLUDING OPERATION, PRIOR TO USE DAILY.
2. DO NOT USE THIS EQUIPMENT EXCEPT ON SOLID, LEVEL SURFACE WITH CRANE MOUNTED ON FACTORY-RECOMMENDED TRUCK.
3. BEFORE OPERATING THE CRANE, REFER TO MAXIMUM LOAD (CAPACITY) CHART ON CRANE FOR OPERATING (LOAD) LIMITATIONS.
4. DO NOT OPERATE, WALK, OR STAND BENEATH BOOM OR A SUSPENDED LOAD.
5. ATTACH PENDANT CORD SUPPORT SNAP TO ATTACHMENT POINT BEFORE PLUGGING IN PENDANT, IF SO EQUIPPED. ▲
6. UNPLUG PENDANT AND SHUT OFF MASTER DISCONNECT SWITCH WHEN CRANE NOT IN USE.
7. FOR TRAVEL, BOOM MUST BE IN STOWED POSITION.

DANGER

- THIS CRANE IS NOT A PASSENGER LIFT
- IT IS NOT DESIGNED OR INTENDED TO BE USED TO LIFT, SUPPORT, OR OTHERWISE TRANSPORT PERSONNEL.

YOU MUST NOT OPERATE THIS CRANE UNLESS

1. YOU HAVE BEEN TRAINED IN THE SAFE OPERATION OF THIS CRANE
AND
2. YOU KNOW AND FOLLOW THE SAFETY AND OPERATING RECOMMENDATIONS CONTAINED IN THE MANUFACTURER'S MANUALS, YOUR EMPLOYER'S WORK RULES, AND APPLICABLE GOVERNMENT REGULATIONS. AN UNTRAINED OPERATOR SUBJECTS HIMSELF AND OTHERS TO DEATH OR SERIOUS INJURY.

ELECTROCUTION HAZARD

- THIS MACHINE IS NOT INSULATED.
- MAINTAIN SAFE CLEARANCES FROM ELECTRICAL LINES AND APPARATUS.
- YOU MUST ALLOW FOR BOOM SWAY, ROCK OR SAG, AND ELECTRICAL LINE AND LOADLINE SWAYING.
- THIS LIFTING DEVICE DOES NOT PROVIDE PROTECTION FROM CONTACT WITH OR PROXIMITY TO AN ELECTRICALLY CHARGED CONDUCTOR.
- YOU MUST MAINTAIN A CLEARANCE OF AT LEAST 10 FEET BETWEEN ANY PART OF THE CRANE, LOADLINE, OR LOAD, AND ANY ELECTRICAL LINE OR APPARATUS CARRYING UP TO 50,000 VOLTS. ADDITIONAL CLEARANCE IS REQUIRED FOR VOLTAGES IN EXCESS OF 50,000 VOLTS. REFER TO DRAWING 15394 FOR ADDITIONAL INFORMATION.
- **DEATH OR SERIOUS INJURY** WILL RESULT FROM CONTACT OR INADEQUATE CLEARANCE.



MFG., INC.
CINCINNATI, OHIO

TITLE
INSTALLATION DWG

DATE
4-18-08H

SECTION
C150

▲ **ELECTRIC CRANES**

SUPERCEDES
7-29-03G

850711

VEHICLE & CRANE MOUNTED ELECTRICAL HAZARD SIGN APPLICATION & INFORMATION

ET & HT CRANE SERIES



▲ SIGN NO. 15393A DISPLAYS THE INTERNATIONAL SYMBOL FOR ELECTRICITY AND WARNS OF DANGER FROM AN ELECTRICALLY CHARGED VEHICLE, CRANE, OR LOAD. FOUR ARE RECOMMENDED (ONE FOR EACH SIDE AND ONE FOR EACH END OF VEHICLE) TO BE APPLIED IN LOCATIONS WHICH ARE READILY VISIBLE TO GROUND PERSONNEL.



▲ SIGN NO. 15401 PROVIDES ADDITIONAL WARNING OF LEGAL REQUIREMENTS WHEN OPERATING NEAR HIGH VOLTAGE LINES. THIS SIGN IS PLACED ON THE CONTROL PENDANT SIDE OF BOOM.

REQUIRED MINIMUM CLEARANCES REFERRED TO ON SIGN NO. 15401

REQUIRED CLEARANCES FROM OVERHEAD HIGH-VOLTAGE LINES

NOMINAL VOLTAGE (kV) (PHASE TO PHASE)	MINIMUM REQUIRED CLEARANCE (FEET) *
0 - 50	10
over 50 - 200	15
over 200 - 350	20
over 350 - 500	25
over 500 - 750	35
over 750 - 1000	45

REQUIRED CLEARANCES FROM ENERGIZED HIGH-VOLTAGE CONDUCTORS (WHILE IN TRANSIT)

NOMINAL VOLTAGE (kV) (PHASE TO PHASE)	MINIMUM REQUIRED CLEARANCE (FEET) *
0 - 0.75	4
over 0.75 - 50	6
over 50 - 345	10
over 345 - 750	16
over 750 - 1000	20

* NOTE: ENVIRONMENTAL CONDITIONS SUCH AS FOG, SMOKE, OR PRECIPITATION MAY REQUIRE INCREASED CLEARANCES



TITLE
INSTALLATION DWG

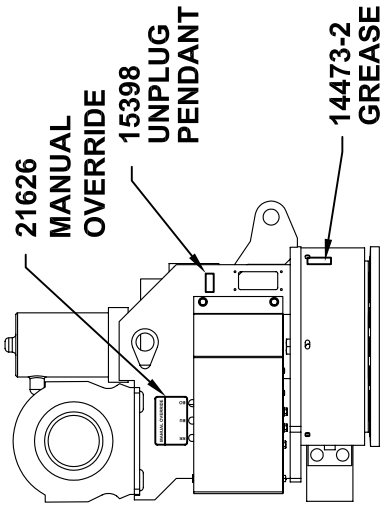
DATE
5-15-02H

SECTION
C150

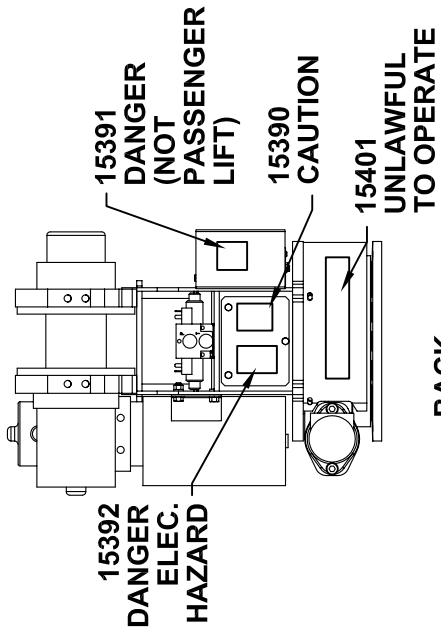
ET & HT CRANE SERIES

SUPERCEDES
5-13-97G

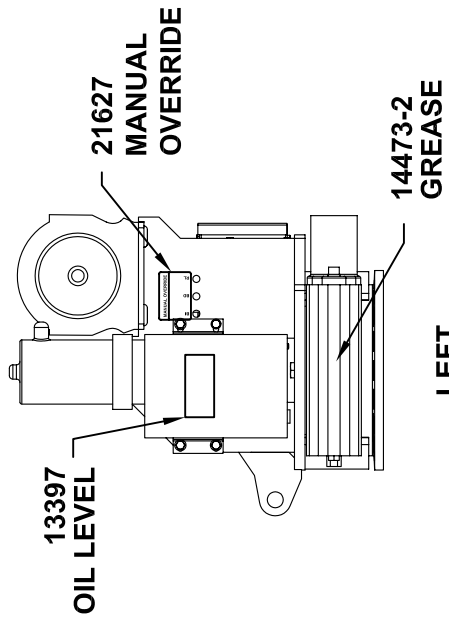
15394



RIGHT



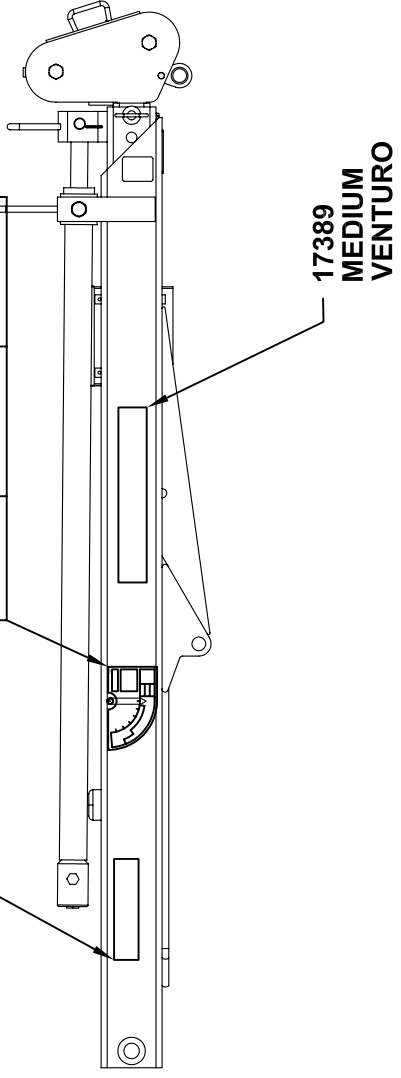
BACK



LEFT

CAPACITY		DECAL	MODEL	PART NO.
	RIGHT	ET8K(X)		21702
	LEFT	ET8K(X)		21703

MODEL NO.
21824 - ET8K
21823 - ET8KX



BOOM



MANUFACTURING, INC.
CINCINNATI, OHIO

TITLE
DECAL PLACEMENT

ET8K(X)

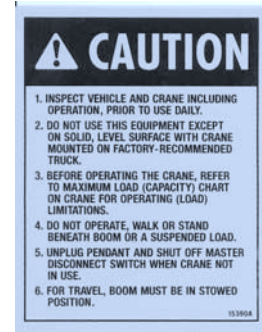
DATE
7-13-06

SUPERSEDES
-

SECTION
C150

21822

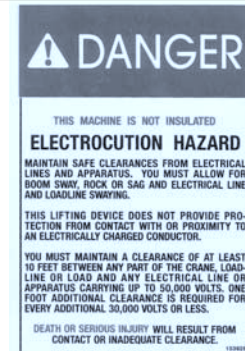
PART NO.: 15390
DECAL: CAUTION - INSPECT VEHICLE & CRANE
FUNCTION: To inform the operator of key operating requirements.
QUANTITY: 1
PLACEMENT: Rear cover.



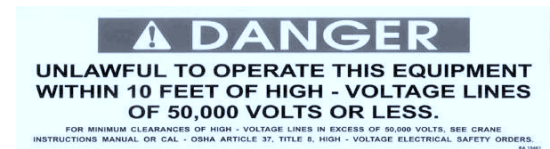
PART NO.: 15391
DECAL: DANGER - NOT PASSENGER LIFT
FUNCTION: To inform the operator not to lift, support or transport personnel, and to ensure that crane operator is adequately trained.
QUANTITY: 1
PLACEMENT: Rear cover.



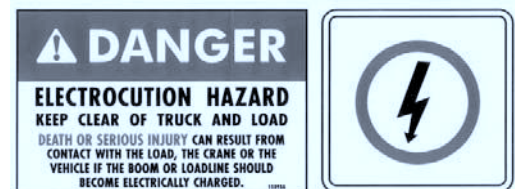
PART NO.: 15392
DECAL: DANGER - ELECTROCUTION HAZARD
FUNCTION: To inform the operator that the machine (crane) represents an electrocution hazard should it come close to or in contact with electrical voltage source.
QUANTITY: 1
PLACEMENT: Rear cover.



PART NO.: 15401
DECAL: UNLAWFUL TO OPERATE
FUNCTION: To inform the operator of proper operation in vicinity of power lines.
QUANTITY: 1
PLACEMENT: Right side of housing.



PART NO.: 15393A
DECAL: DANGER - ELECTROCUTION HAZARD
FUNCTION: Warns of danger from electrically charged vehicle, crane or lead.
QUANTITY: 4
PLACEMENT: One on each side and each end of vehicle.



MFG., INC.
 CINCINNATI, OHIO

TITLE
SAFETY DECALS

DATE
8-10-09B C150

CRANES

SUPERSEDES
5-6-08A 21353

PART NO.: 14473-2

DECAL: GREASE

FUNCTION: To show the operator where to apply grease.

QUANTITY: Varies

PLACEMENT: Near grease fittings.



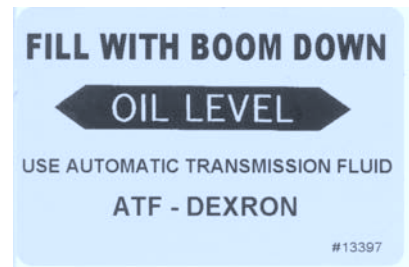
PART NO.: 13397

DECAL: OIL LEVEL

FUNCTION: To inform the operator of proper oil level to maintain.

QUANTITY: 1

PLACEMENT: Side of hydraulic power unit.



PART NO.: 15398

DECAL: UNPLUG REMOTE CONTROL

FUNCTION: To inform the operator to unplug remote control when not in use.

QUANTITY: 1

PLACEMENT: Near pendant socket.



PART NO.: 17813

DECAL: OVERLOAD SENSING SYSTEM

FUNCTION: To advise the operator of the operation of the overload system.

QUANTITY: 1

PLACEMENT: Right side of housing.

CRANE IS EQUIPPED WITH AN OVERLOAD SENSING SYSTEM
1. IF OVERLOADED, THE WINCH UP, BOOM DOWN AND (OPTIONAL) BOOM OUT FUNCTIONS WILL AUTOMATICALLY SHUT OFF TO PREVENT INCREASED OVERLOAD.
2. ON CRANES EQUIPPED WITH AN OPTIONAL OVERLOAD ALARM IT WILL ALSO SOUND.
3. IF AN OVERLOAD OCCURS, USE THE WINCH DOWN, BOOM UP OR BOOM IN FUNCTIONS TO RELIEVE THE OVERLOAD.
4. THE OVERLOAD SENSING SYSTEM IS INOPERATIVE IF THE BOOM ELEVATION IS AT THE BOTTOM OR TOP LIMIT OF TRAVEL. TO RELIEVE THIS CONDITION, RAISE OR LOWER THE BOOM SLIGHTLY BEFORE LIFTING THE LOAD.
5. SEE MANUAL FOR TESTING OVERLOAD SYSTEM.
NOTICE - WARRANTY VOID IF DISCONNECTED
THE OVERLOAD SENSING SYSTEM HAS BEEN INSTALLED AS A SAFETY FEATURE TO PROTECT THE EQUIPMENT AND THE OPERATOR.
DO NOT DISCONNECT THIS SYSTEM #17813

PART NO.: 14459

DECAL: OVERLOAD ALARM SYSTEM

FUNCTION: To advise the operator of the overload alarm system.

QUANTITY: 1

PLACEMENT: Rear of housing.

THIS CRANE EQUIPPED WITH OVERLOAD ALARM SYSTEM
1. OVERLOAD ALARM HORN SOUNDS IF RATED LOAD IS EXCEEDED AT ANY REACH.
2. IF ALARM SOUNDS, RAISE BOOM OR LOWER WINCH TO REMOVE OVERLOAD.
3. ALWAYS RAISE BOOM SLIGHTLY BEFORE LIFTING LOAD. WARNING SYSTEM INOPERATIVE WHEN CYLINDER IS COMPLETELY BOTTOMED.
4. ALARM CAN BE TESTED BY TYING DOWN BOOM WITH WINCH CABLE AND OPERATING BOOM UP OR BY RAISING BOOM AGAINST UP LIMIT STOP.
NOTICE - WARRANTY VOID IF DISCONNECTED
THIS ALARM SYSTEM HAS BEEN INSTALLED AS A SAFETY FEATURE TO PROTECT BOTH THE EQUIPMENT AND THE OPERATOR.
DO NOT DISCONNECT THIS ALARM #14459

PART NO.: 19731-2

DECAL: SNATCH BLOCK CAPACITY DECAL

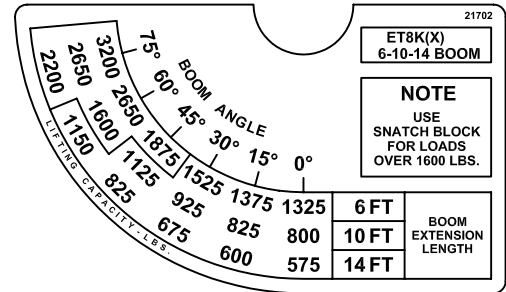
FUNCTION: To show the capacity of snatch block.

QUANTITY: 2

PLACEMENT: Each side of snatch block.

SNATCHBLOCK
CAP. 4000 LBS.
NOTE: ACTUAL CRANE CAP. MAY BE LOWER
19731-2

PART NO.: 21702 & 21703 (OPPOSITE)
DECAL: CRANE CAPACITY
FUNCTION: To show the operator the operating capacities of crane.
QUANTITY: 1 each
PLACEMENT: One on each side of boom.



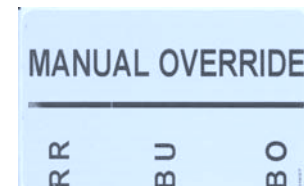
PART NO.: 21824
DECAL: MODEL NUMBER (ET8K)
FUNCTION: To show the model of the crane.
QUANTITY: 2
PLACEMENT: One on each side of boom.



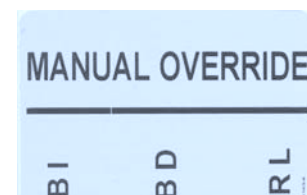
PART NO.: 21823
DECAL: MODEL NUMBER (ET8KX)
FUNCTION: To show the model of the crane.
QUANTITY: 2
PLACEMENT: One on each side of boom.



PART NO.: 21626
DECAL: MANUAL OVERRIDE RIGHT (ET8/12KX)
FUNCTION: To show the manual override ports.
QUANTITY: 1
PLACEMENT: Right side of housing.



PART NO.: 21627
DECAL: MANUAL OVERRIDE LEFT (ET8/12KX)
FUNCTION: To show the manual override ports.
QUANTITY: 1
PLACEMENT: Left side of housing.



MFG., INC.
 CINCINNATI, OHIO

TITLE
MODEL & CAPACITY DECALS

DATE
7-13-06

SECTION
C150

ET8K(X)

SUPERSEDES
 -

21825

SECTION 200

INSTALLATION

IMPORTANT

ADEQUATE WIRING IMPERATIVE FOR PROPER OPERATION

1. PROPER GROUND PATH - SEE DWG 15660

2. CURRENT DRAW IS SEVERAL HUNDRED AMPERES -
ADEQUATE WIRE SIZE AND BATTERY CAPACITY IS ABSOLUTELY
ESSENTIAL (SEE CHART BELOW.)

MINIMUM WIRE GAUGE AND BATTERY SIZE

MODEL	TOTAL LENGTH OF CABLE (FT)*								12 VOLT BATTERY REQUIREMENTS	
	0-20	21-25	26-30	31-40	41-50	51-60	61-70	71-80	CCA (A)**	RC (MIN)***
CE6K CT2000 CT2003/4/5 DT7K	#4	#4	#2	#2	#1	#0	#0	#00	350	100
ET5500MPB ET5500R ET6KMPB ET6KR ET8K ▲ ET10K ET12K ▲	#2	#2	#1	#0	#00	NOTRECOMMENDED			450	100
ET8KX ▲ ET10KX ET12KX ▲	#2	#2	#1	#0	#00	NOTRECOMMENDED			550	150
ET25K ET25KX	SEE DRAWING I24600 FOR CABLE AND BATTERY REQUIREMENTS									

* INCLUDES GROUND CABLE

** CCA=COLD CRANKING AMPS AT 0' F.
THE CCA RATING IS A MEASURE OF THE ABILITY OF THE BATTERY TO DELIVER A HIGH CURRENT FOR A SHORT PERIOD OF TIME.

*** RC=RESERVE CAPACITY IN MINUTES AT 25 AMPS AND 80' F.
THE RC RATING IS A MEASURE OF THE PERIOD OF TIME THE BATTERY CAN SUPPLY A GIVEN CURRENT WITHOUT RECHARGING.



MFG., INC.
CINCINNATI, OHIO

TITLE
CABLE & BATTERY

CE, CT, DT, & ET

DATE
8-2-06S

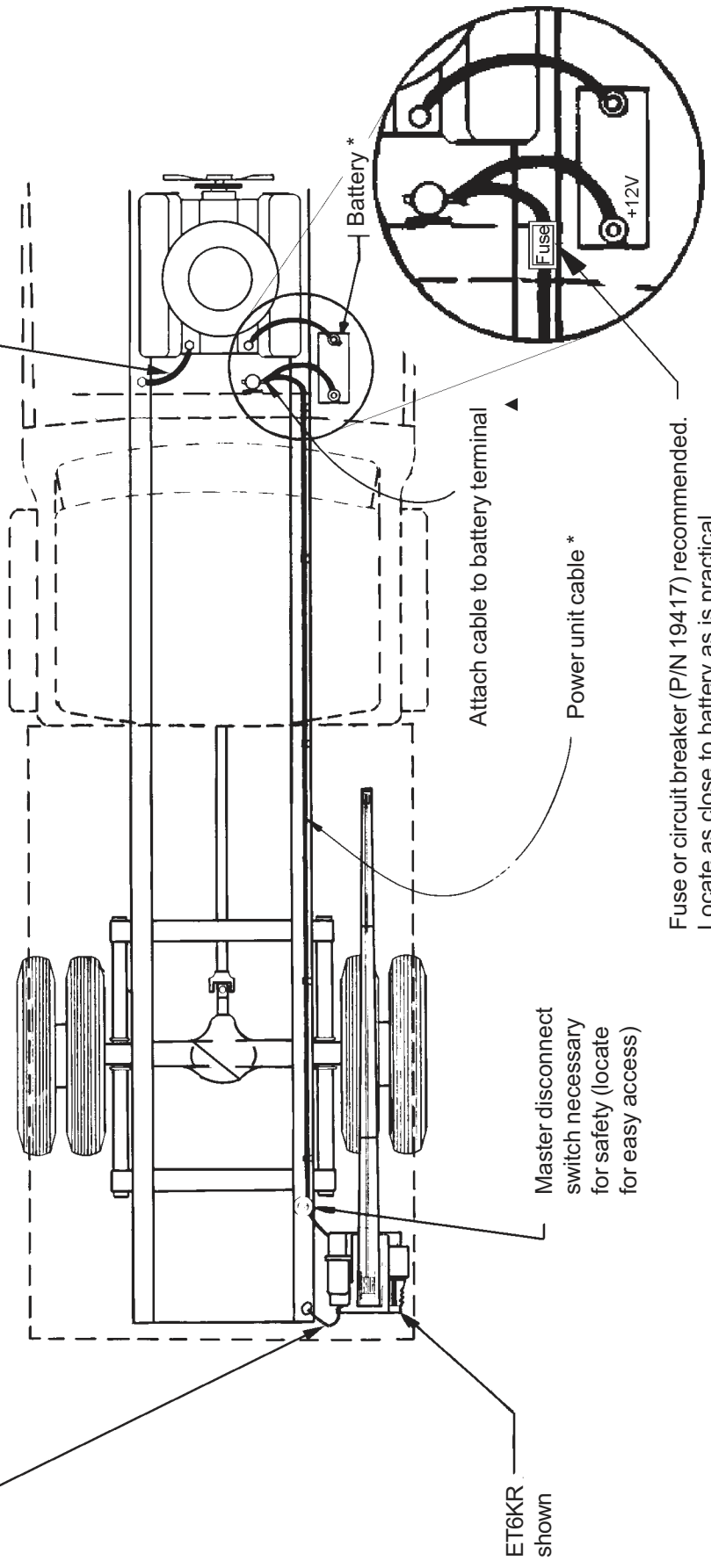
SUPERCEDES
8-10-00R

SECTION
C200

711105

Important: The crane must make connection with the negative of the battery. To insure this, install a #2 gauge grounding strap from the engine to the truck frame (required if negative from battery is connected to the engine.) Also, install a #2 gauge grounding strap from the crane base to the truck frame, included with electric cranes.

Failure to accomplish the above mentioned steps may result in intermittent operation of electric crane.



* Note: See Dwg 19959 for recommended battery and cable specifications

VENTURO MANUFACTURING, INC. CINCINNATI, OHIO	TITLE	INSTALLATION - BATTERY CABLE	
	DATE	4-18-08G	SECTION C200
	SUPERCEDES	8-2-06F	15660
	WINCH & CRANE		

STABILITY TESTING – ET8K(X)

Overview

Venturo follows the guidelines of ANSI B30.5 in defining stability. Generally speaking, a truck is considered stable as long as it is not on the verge of tipping – i.e. with the truck level, at least one tire on each corner of the truck must remain in contact with the ground.

It is important to note that nearly every installation is unique and will, therefore, typically require stability testing.

The procedure outlined below follows ANSI's (B30.5 – 5-1.1.1) specified "maximum load rating" of 85%.

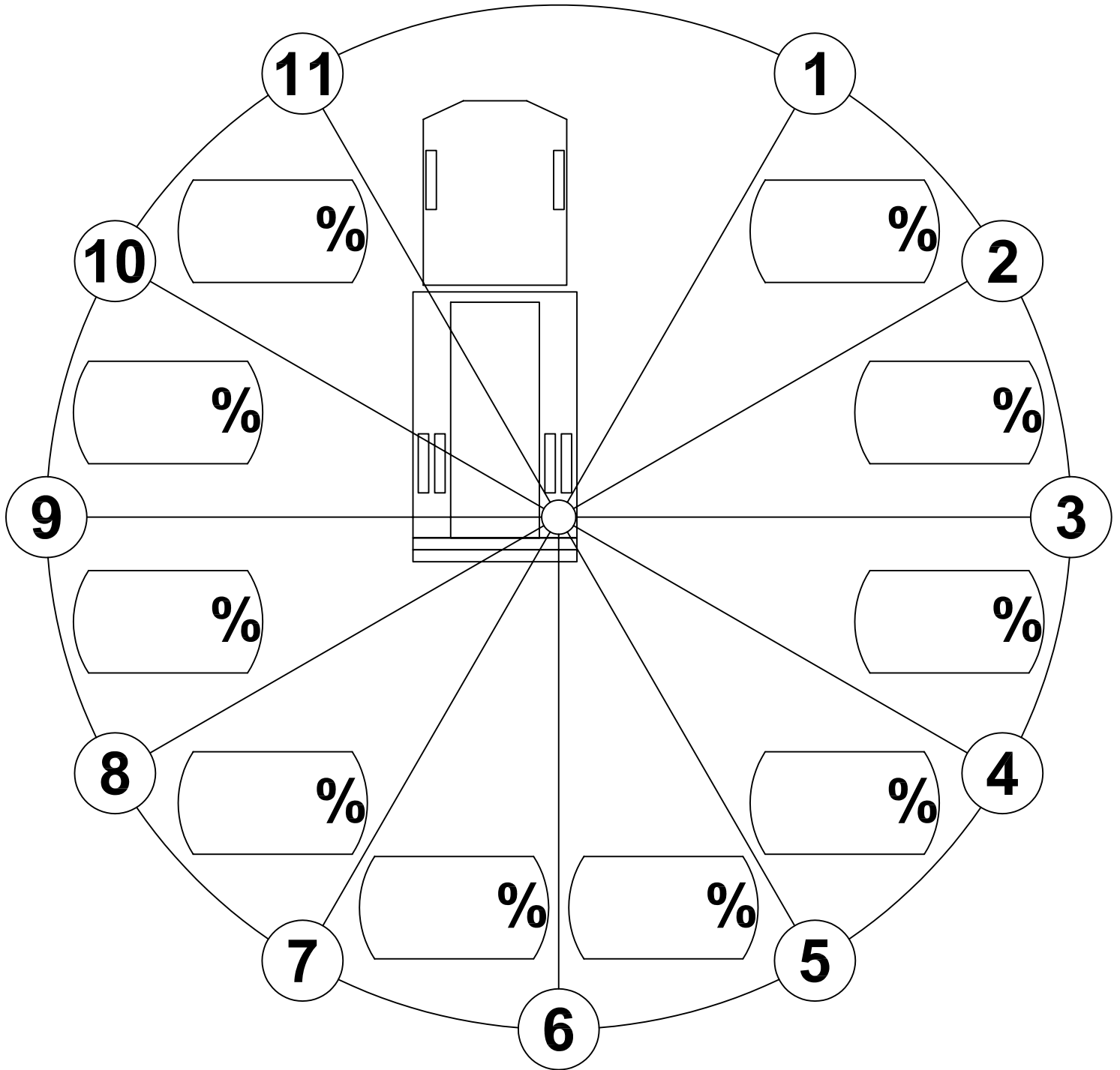
Testing Procedure

1. Locate the truck on level ground and set the parking brake.
2. Deploy outriggers, making sure they are firmly in contact with supportive ground; use outrigger pads as required. The tires of the truck should remain in full contact with the ground.
3. Inspect the wire rope and other key components of crane (consult owners manual for more information).
4. Conduct an operational check of all crane functions.
5. Use a test weight of 650 lbs in conjunction with the ET8K(X)'s snatch block (weight = 23 lb).
6. Do NOT allow the weight to be more than 6 inches from the ground at any time during testing – this insures that if the truck does become unstable and tip, it will not tip far.
7. Rotate the crane to a position between 1 and 2 o'clock (the truck cab is facing 12 o'clock).
8. Be sure that the boom is horizontal (0° elevation) with the hydraulic section fully retracted and the manual section fully extended; the boom should begin at a length of 10 feet. Note: On the ET8K, testing will be more difficult, because it will require an iterative ("trial and error") approach; please call technical support for more information.
9. Use the winch to lift the test weight, keeping it within 6 inches of the ground.
10. Extend the boom slowly until the boom reaches full extension (168 inches) or until the truck becomes unstable. As you extend, use the winch to keep the weight within 6 inches of the ground.
 - a. If the boom reaches full extension, the % of Rated Capacity is 100% for the tested region.
 - b. If, however, the truck becomes unstable (both tires leave the ground) prior to full extension, record (in inches) the horizontal distance from the center of rotation to the wire rope at this point (e.g. 140 inches). This is the Maximum Stable Reach. Determine the % of Rated Capacity using the following formula:
$$\% \text{ Rated Capacity} = \frac{\text{"Max. Stable Reach" in inches}}{168} \times 100$$
11. Record the % of Rated Capacity in the appropriate blank on the Crane Stability chart and/or decal.
12. Repeat Steps 7-11 for each of the remaining regions (2-3 o'clock, 3-4 o'clock, etc.).



TITLE	DATE	SECTION
STABILITY TEST	8-15-11A	C200
ET8K, ET8KX	SUPERSEDES 6-15-09	20906-8

Crane Stability



% of Rated Capacity for each of the 10 regions is provided above.

CRANE OPERATION AND MAINTENANCE INSTRUCTIONS

▲ ET8K(X), ET10KX, ET12K(X)

SAFETY

Before operating this crane, read and understand these instructions, the 850711 Crane Safety and Hazards Information Sheet, and review all safety & instruction labels on the crane.

CRANE INSPECTION

Before operating this crane, inspect for wear, damage, or oil leakage. After the wire rope has been run out, check for wear, kinks, and broken strands. Check the hook and safety latch for damage. Correct any problems before using the crane.

CAPACITY

Before operating this crane, review the capacity diagrams on the 891014 Capacity Information Sheet as well as the capacity charts on the sides of the boom to relate the load to be lifted to the boom length and angle. The boom angle is shown by a gravity arrow.

SNATCH BLOCK

If the load exceeds 1600 lbs. for the ET8K(X) and ET10K(X) or 1750 lbs. for the ET12K(X) or if reduced winching speed for better control of smaller loads is required, use the snatch block to rig the crane for two part line operation. Refer to drawing 21701, 17450 or 21575 for this.

CONTROLS

This crane is operated by a remote control pendant. The pendant should be unplugged and stored in a compartment or the cab when the crane is not in use.

Before plugging the pendant in, inspect the plug, socket, cord, pendant head, and switches for damage. Actuate all four switches both ways to verify that they all have the same feel and sound and that they return to the center position.

Plug the pendant into the socket on the right side of the crane and snap the strain relief tether to the crane housing.

Turn on the Master Disconnect Switch. Use "Winch Down" to release tension on the wire rope to unhook it from storage tie down position.

Use "Boom Up" to elevate the boom from the boom rest position.

Check all control functions to see that they are working correctly.



TITLE
INSTALLATION DWG

DATE
8-2-06E

SECTION
C200

▲
ET8/10/12K(X)

SUPERCEDES
7-27-06D

900530a

CONTROL FUNCTIONS

WINCH "UP" and "DOWN" - Raises and lowers the load with the wire rope.

POWER ELEVATION - "Up" raises the boom elevation by operating the valves and the electric hydraulic power unit. "Down" operates a solenoid release valve mounted on the cylinder to lower the load and/or boom by gravity at a controlled rate. A check valve on the cylinder prevents the boom from coming down if a hose breaks. A flow control valve controls lowering rate.

POWER EXTENSION - "Out" and "In" extend and retract boom 4 ft. under power. A pilot operated check valve on the boom prevents the boom retracting without hydraulic power or if a hose should break. A flow control valve controls retract rate under load.

POWER ROTATION - "L" & "R" control direction of rotation. The [▲]ET8KX, ET10KX or ET12KX can be rotated continuously thru 360 degrees or more. There are no internal restrictions on the number of rotations in any direction.

CONTROL PRIORITY SYSTEM - As a built in safety feature, the operator can perform only one major and one minor function at any one time. Major functions are rotation, winching up of a load, and elevating, extending and retracting the boom. Minor functions are winching down, and lowering the boom.

- a. "Winch Up" has priority over "Boom Up", "Boom Out & In", and "Rotation"
- b. "Boom Up" has priority over "Boom Out & In", and "Rotation".
- c. "Boom Out & In" have priority over "Rotation".
- d. "Boom Down" and "Winch Down" can be operated with any function.

CRANE OPERATION

Avoid rapid reversal of the Winch and Rotation Control Switches. The high inrush current to the motors during reversal can reduce the life of the contactors and the motor brushes and commutators.

When operating "Winch Up", "Boom Down" or "Boom Out" always maintain clearance between the boom head and the snatch block or hook.

Do not lift or drag a load sideways using any of the crane functions. The boom has much lower bending strength sideways than in the vertical direction.



TITLE
INSTALLATION DWG

DATE
5-27-06D

SECTION
C200

[▲]ET8/10/12K(X)

SUPERCEDES
5-26-06C

900530b

OVERLOAD ALARM SYSTEMS (OPTIONAL)

This crane may be equipped with an optional overload alarm system.

1. Overload alarm horn sounds if rated load is exceeded at any reach.
2. If alarm sounds, RAISE Boom or LOWER Winch to remove overload.
3. Always RAISE Boom slightly before lifting load - Warning system INOPERATIVE when cylinder is completely bottomed.
4. Alarm can be tested by raising Boom against UP limit stop.

MANUAL TELESCOPIC BOOM

The 6' to 14' and the 7' to 15' boom have a 4' manual telescoping section in addition to the 4' power extension. A toggle pin locks the boom into either the extended or retracted position.

TRUCK SETUP & OUTRIGGERS

1. The truck should be parked on ground that is as level and as firm as possible when using the crane.
2. The center of the crane should be positioned close enough to the job so that it can be operated at a reach that puts the load within the rated capacity of the crane.
3. Set the vehicle parking brake and put the vehicle transmission in "park" or a low gear unless the engine is to be left running.
4. Deploy the outriggers to help stabilize the vehicle against rocking or overturning when lifting with the crane.

PREPARATION FOR TRAVEL

1. Return the outriggers to the stowed position. Install and secure all pins.
2. Stow the crane boom in the boom support.
3. Hook the winch line to a tie down point on the body or pedestal and apply tension.
4. TURN OFF THE MASTER DISCONNECT SWITCH.
5. Unplug the control pendant and store in a body compartment or the cab.



WARNING

- The pendant (or receiver) plug must be unplugged from the crane socket and the Master Disconnect (power) switch must be turned "off" when the crane is not in use! Leaving the pendant (or receiver) connected and the power on when not in use may result in dangerous, unintentional activation of the crane functions."



MFG., INC.
CINCINNATI, OHIO

TITLE
INSTALLATION DWG

ET8/10/12K(X)

DATE
5-27-06D

SUPERCEDES
5-26-06C

SECTION
C200

900530c

WIRE ROPE INSTALLATION

STEP 1: UNWIND COIL OF WIRE ROPE BY 'ROLLING' ALONG THE FLOOR. THIS WILL PREVENT 'KINKING'.

STEP 2: INSERT WIRE ROPE END THROUGH ANTI-TWO-BLOCK WEIGHT.

STEP 3: INSERT WIRE ROPE END INTO POCKET OPENING ON WINCH AND THROUGH WEDGE POCKET AS SHOWN IN (FIG 1).

CAUTION: IF THE WIRE ROPE IS NOT INSTALLED FOR THE CORRECT DRUM ROTATION, THE WINCH BRAKE VALVE WILL NOT HOLD THE LOAD.

CAUTION: THERE MUST ALWAYS BE AT LEAST (3) TURNS OF WIRE ROPE ON THE WINCH DRUM WHILE UNDER LOAD.

NOTE: SOME WINCHES WILL BE SUPPLIED WITH A HEX NUT IN LIEU OF A WEDGE FOR INSTALLING THE WIRE ROPE.

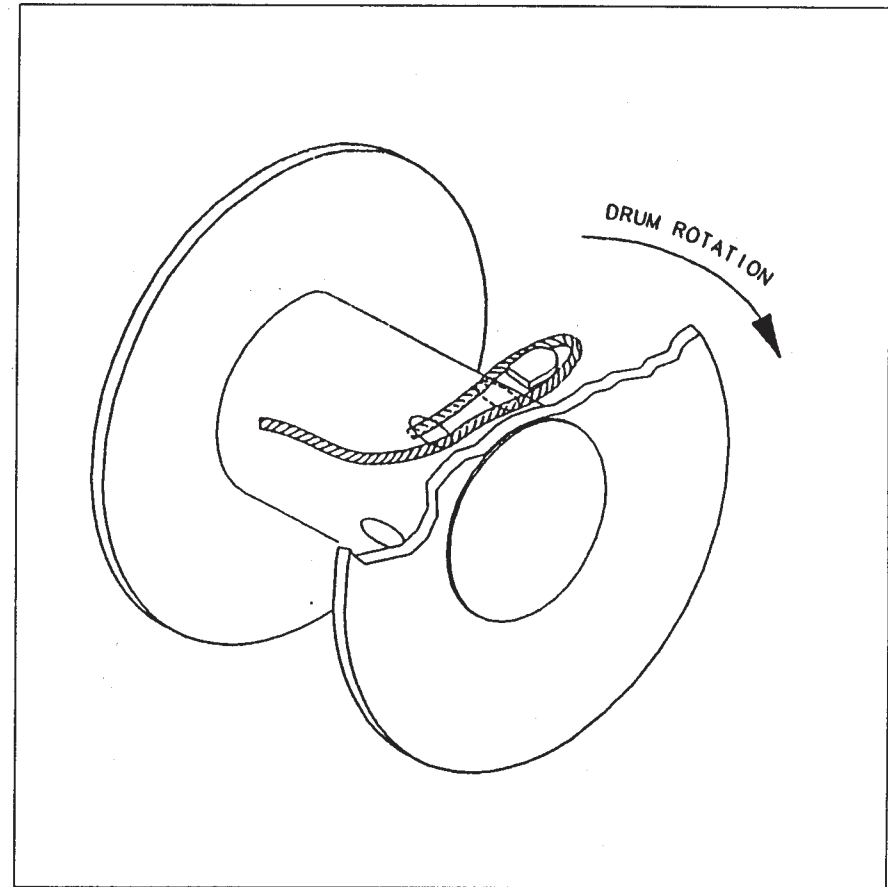


FIG 1



MANUFACTURING, INC.
CINCINNATI, OHIO

TITLE
WIRE ROPE INSTALLATION DRAWING

DATE
8-18-09G

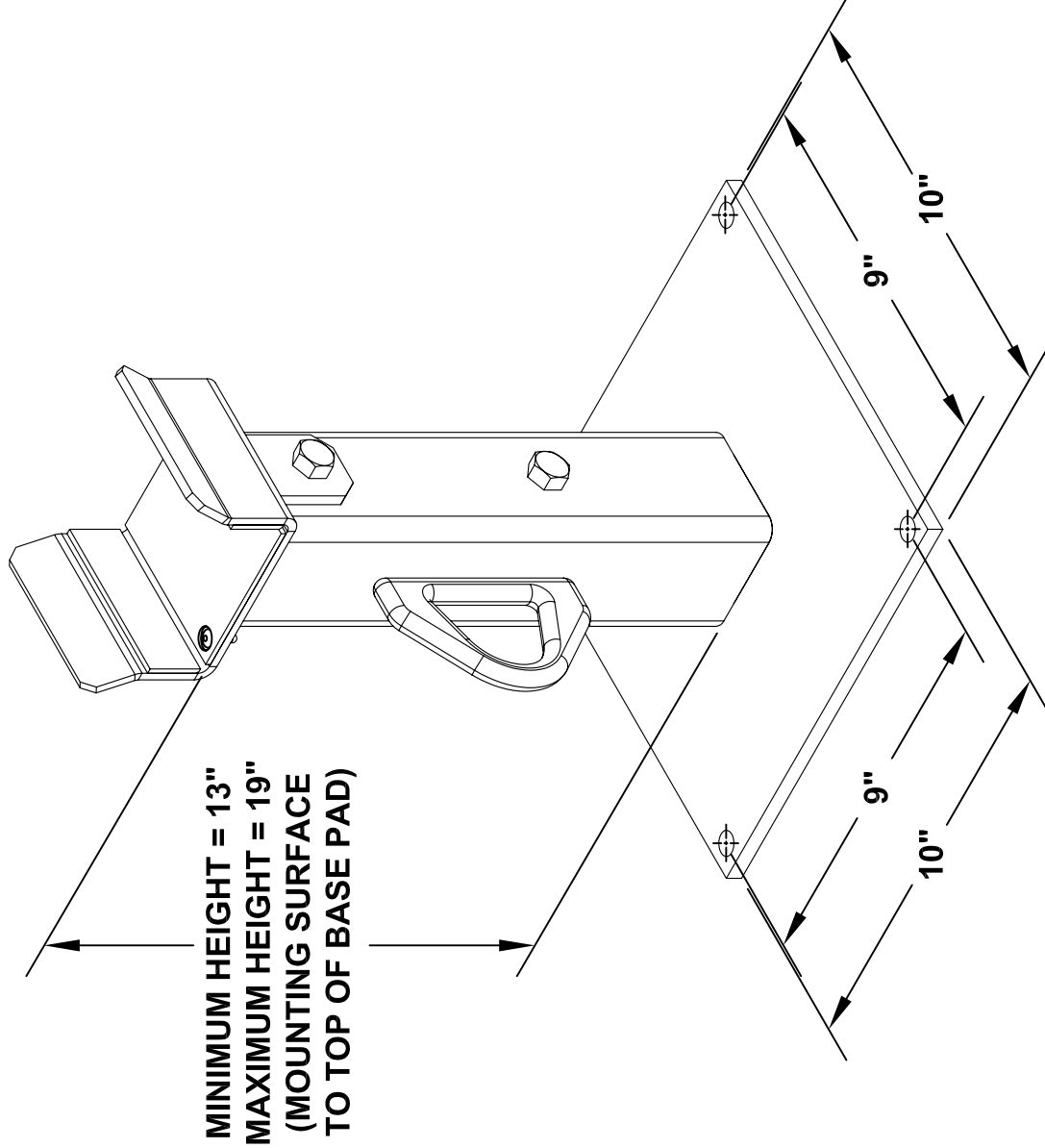
SECTION
C200

ET8K AND LARGER CRANES

SUPERCEDES
2-26-08F

22245

21440 ADJUSTABLE BOOM REST

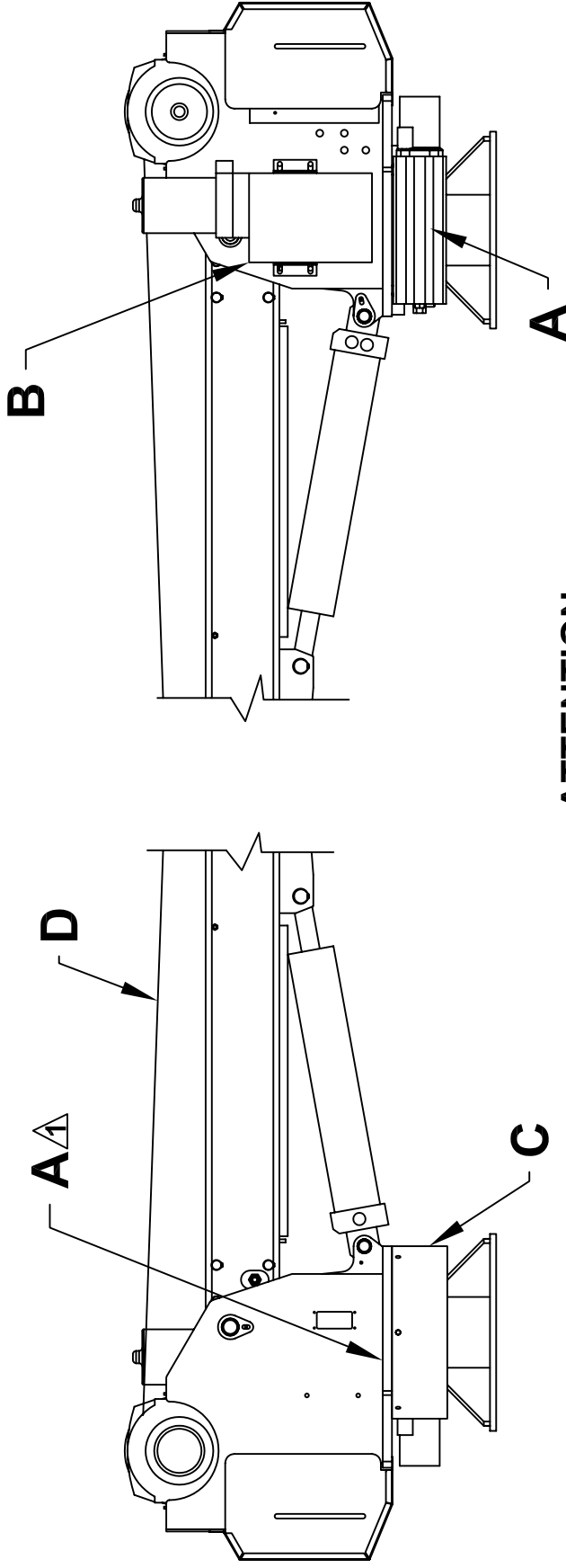


SECTION 300

MAINTENANCE

&

SERVICE



ATTENTION

NEVER WASH THIS CRANE WITH CHEMICAL PRODUCTS OR HIGH PRESSURE WATER JETS, AS THEY CAN CAUSE DETACHMENT OF STICKERS OR ENTRANCE OF WATER INTO ELECTRICAL OR SLEWING RING COMPONENTS

Location	Service Required	Note	Service Interval
A	Grease fitting With Pressure Grease Gun	Use Lithium Based Grease ▲ To align hole w/ fitting, line up grease decals on lower cover and base gusset.	Time of Truck Service
B	Fill Oil Reservoir to Oil Level with Boom Down and Boom In. ▲	Use Dextron ATF for Ambient Temperatures Between -22° F and 30° F Use ISO Viscosity Grade 68 or Equivalent for Ambient Temperatures Between 10°F and 125°F	Time of Truck Service and as required by changes in the ambient temperature range
C	Lubricate Gear Teeth	Remove Cover & Use Chassis Grease	Time of Truck Service
D	Check Wire Rope and Hook	Rope should be free of kinks and fraying	Time of Truck Service

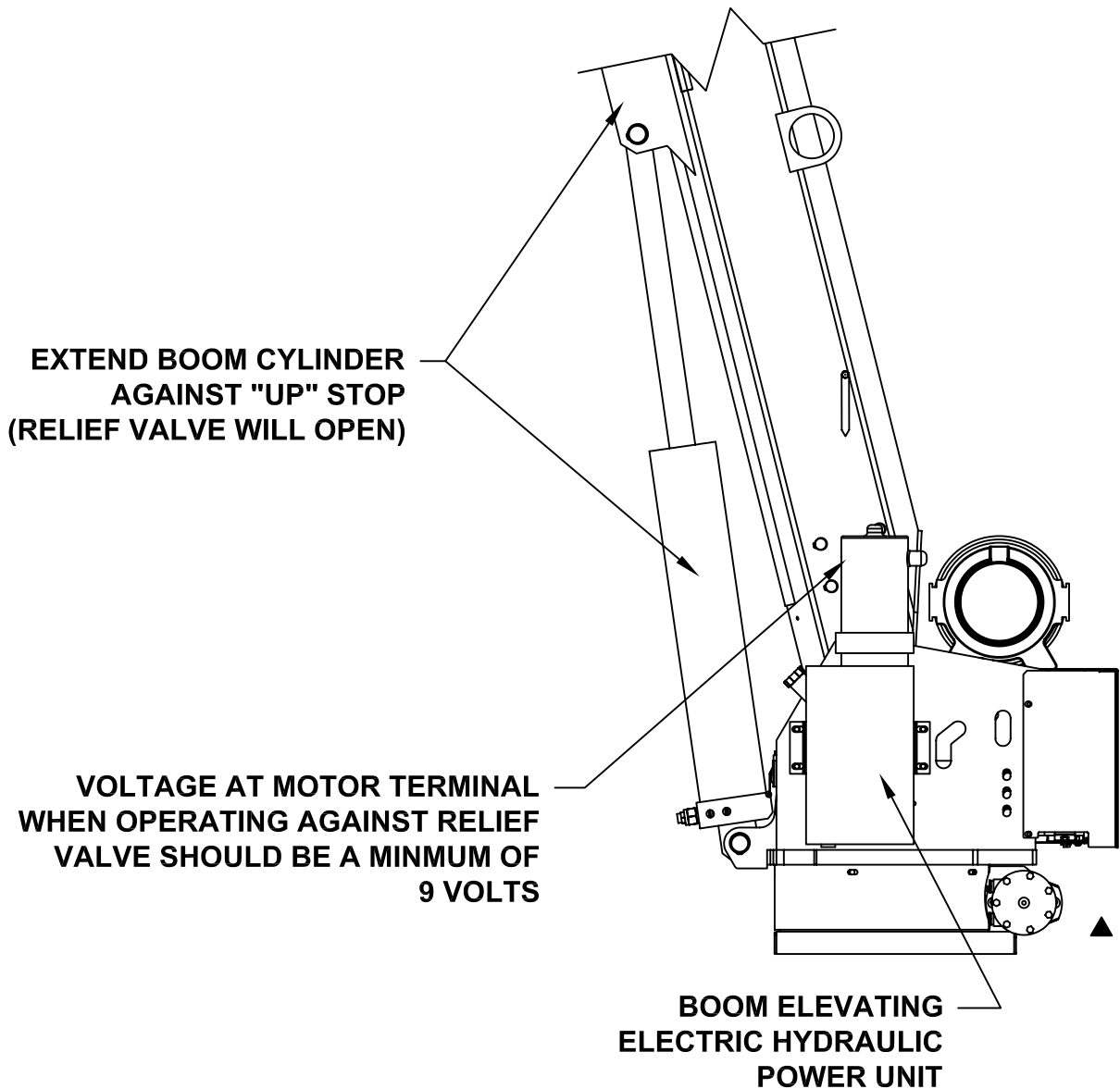
 VENTURO MANUFACTURING, INC. CINCINNATI, OHIO	TITLE LUBRICATION & MAINTENANCE CHART	DATE 5-7-08D	SECTION -
	ET8K(X) - ET12K(X) - ET18K(X)		SUPERSEDES 7-27-06C

21306

MINIMUM VOLTAGE TEST

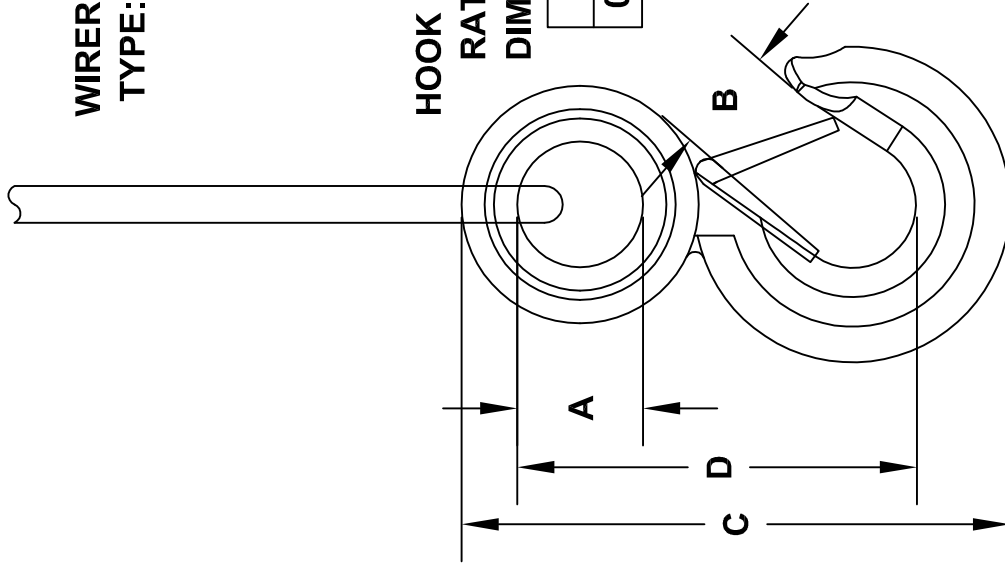
ET SERIES CRANES

ONE OF THE MOST COMMON ELECTRICAL PROBLEMS ENCOUNTERED ON 12 VOLT ELECTRICAL CRANES IS INSUFFICIENT VOLTAGE AT THE MOTOR WHEN DRAWING THE LARGE CURRENT THAT EXISTS AT FULL LOAD



WIREROPE ASSEMBLY

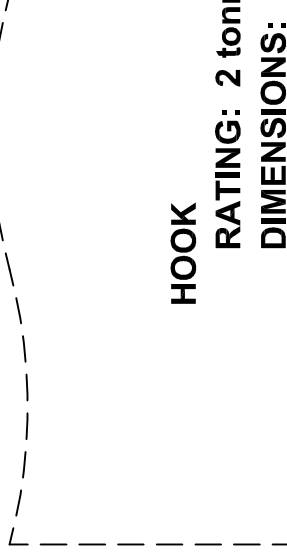
WIREROPE
TYPE: 7/32" OR 1/4" DIA. 7 x 19
GALVANIZED



HOOK
RATING: 1 tonne (2205 LBS)
DIMENSIONS:

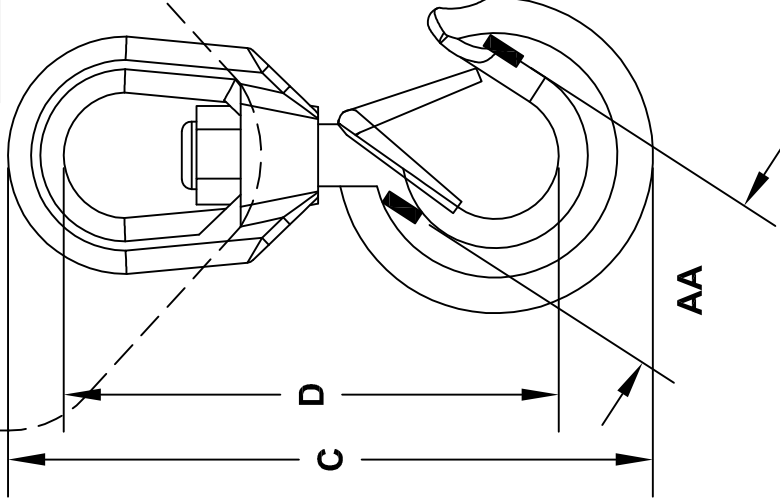
A	B	C	D
0.88	1.06	4.88	3.63

LOAD BLOCK ASSEMBLY



HOOK
RATING: 2 tonnes (4,410 lbs)
DIMENSIONS:

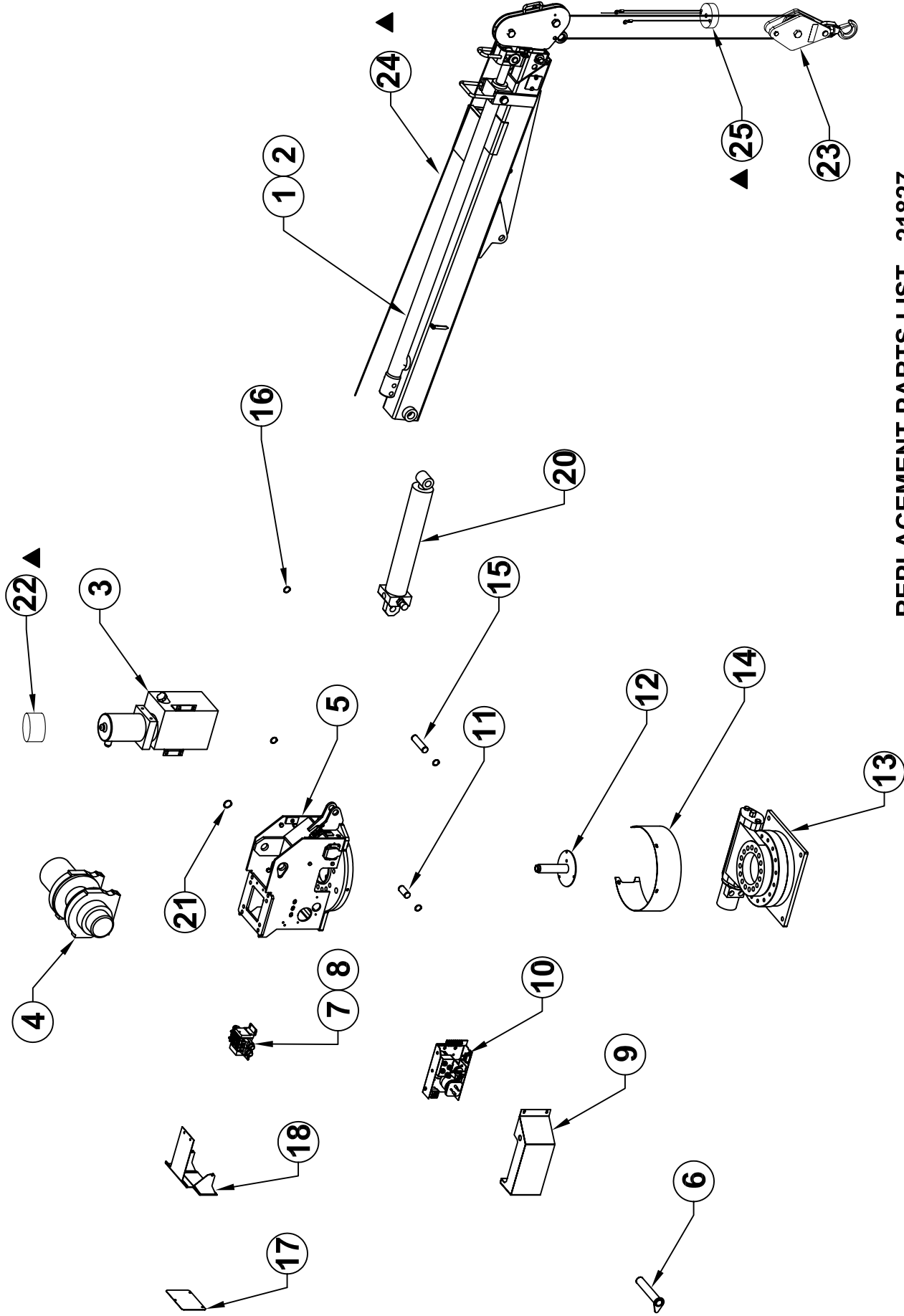
COLOR	BRAND	AA	C	D
GOLD	CROSBY	2.00	7.75	6.12



SECTION 400

PARTS





REPLACEMENT PARTS LIST - 21827

ITEM #	PART #	DESCRIPTION	ITEM #	PART #	DESCRIPTION
1	21719	BOOM FINAL ASSEMBLY - ET8KX			
2	21729	BOOM FINAL ASSEMBLY - ET8K			
3	20873	HYDRAULIC POWER UNIT			
4	21556	WINCH			
5	21705	UPPER HOUSING ASSEMBLY			
6	21540	PIVOT PIN - MAIN BOOM PIVOT			
7	21614	MANIFOLD W/ VALVES & COILS - ET8KX			
8	21615	MANIFOLD W/ VALVES & COILS - ET8K			
9	21621	CRANE COVER WELDED ASSEMBLY			
10	21515	ELECTRICAL COMPONENT ASSEMBLY			
11	21721	PIN - ELEVATION CYLINDER BASE			
12	21506	SWIVEL PIGTAIL CANDLESTICK ASSEMBLY			
13	21735	ROTATION DRIVE SYSTEM			
14	21185	ROTATION GEAR GUARD			
15	21722	BOOM PIVOT PIN			
16	ISRNG-100	SNAP RING 1"			
17	21624	PLATE, COVER REAR			
18	27626	REAR COVER			
19	21558	TOP PLATE - BASE ASSEMBLY			
20	21700	ELEVATION CYLINDER			
21	ISRNG-125	SNAP RING 1-1/4"			
22	16143-1	MOTOR COVER			
23	20670	SWIVEL SNATCH BLOCK			
24	15810-7/32-65	WIRE ROPE ASSEMBLY - 7/32" X 65 FT			
25 ▲	19377-1	ANTI-2-BLOCK WEIGHT ASSEMBLY			
26	-	-			
27	-	-			
28	-	-			
29	-	-			
30	-	-			
		REPLACEMENT PARTS DWG REF 21826			

TITLE REPLACEMENT PARTS ET8K(X) - 6 - 10 - 14	DATE 2-27-12D	SECTION C400
	SUPERCEDES 11-29-07C	21827



MANUFACTURING, INC.
CINCINNATI, OHIO

FASTENER LIST FOR ET8KX

PART NUMBER	DESCRIPTION	QTY	LOCATION/FUNCTION
!HHCS03118063	HEX HEAD CAP SCREW 5/16-18 X 5/8" LG	1	GROUND STRAP ON CANDLESTICK
!LWSH-031	LOCK WASHER - 5/16	1	GROUND STRAP ON CANDLESTICK
!HNUT-03118	HEX NUT - 5/16-18	1	GROUND STRAP ON CANDLESTICK
!HHCS02520063	HEX HEAD CAP SCREW 1/4-20 X 5/8"	3	CANDLESTICK TO BASE
!LWSH-025	LOCK WASHER - 1/4"	3	CANDLESTICK TO BASE
!HHCS06311200	HEX HEAD CAP SCREW 5/8-11 X 2"	16	LOWER BASE TORING
!LWSH-063	LOCK WASHER - 5/8"	16	LOWER BASE TORING
!PHCS02520200	PAN HEAD CAP SCREW 1/4-20 X 2"	2	SPEED REDUCER TORING
!HHCS06311275	HEX HEAD CAP SCREW 5/8-11 X 2-3/4"	14	UPPER HOUSING TORING
!LWSH-063	LOCK WASHER - 5/8"	14	UPPER HOUSING TORING
!HHCS03816100	HEX HEAD CAP SCREW - 3/8-16 X 1"	4	HYDRAULIC POWER UNIT
!LWSH-038	LOCK WASHER - 3/8"	4	HYDRAULIC POWER UNIT
!HNUT-03816	HEX NUT - 3/8-16	4	HYDRAULIC POWER UNIT
!HHCS02520075	HEX HEAD CAP SCREW 1/4-20 X 3/4"	2	VALVE BLOCK
!HNUT-02520	HEX NUT - 1/4-20	2	VALVE BLOCK
!LWSH-025	LOCK WASHER - 1/4"	2	VALVE BLOCK
!HHCS118100	HEX HEAD CAP SCREW 5/16-18 X 1"	1	GROUND (WINCH)/TETHER
!LWSH-031	LOCK WASHER - 5/16	1	GROUND (WINCH)/TETHER
!HNUT-03118	HEX NUT - 5/16-18	1	GROUND (WINCH)/TETHER
!FWSH-031	FLAT WASHER - 5/16"	2	GROUND (WINCH)/TETHER
!HHCS#0832075	HEX HEAD CAP SCREW #8-32 X 3/4"	1	TETHER ON PANEL
!LWSH-#08	LOCK WASHER - #8	1	TETHER ON PANEL
!HNUT-#0832	HEX NUT - #8-32	1	TETHER ON PANEL
!HHCS03816100	HEX HEAD CAP SCREW - 3/8-16 X 1"	1	GROUND (IN HOUSING)
!FWSH-038	FLAT WASHER - 3/8"	1	GROUND (IN HOUSING)
!LWSH-038	LOCK WASHER - 3/8"	1	GROUND (IN HOUSING)
!HNUT#0832063	HEX HEAD CAP SCREW - #8-32 X 5/8"	1	PENDANT PLUG
!LWSH-#08	LOCK WASHER - #8	1	PENDANT PLUG
!HHCS#1024125	HEX HEAD CAP SCREW - #10-24 X 1-1/4"	2	TOP POSITION SWITCH
!LWSH-#10	LOCK WASHER - #10	2	TOP POSITION SWITCH
!HHCS-02520063	HEX HEAD CAP SCREW - 1/4-20 X 5/8"	1	CABLE CLAMP (PRESSURE SWITCH)
!LWSH-025	LOCK WASHER - 1/4	1	CABLE CLAMP (PRESSURE SWITCH)
!SRNG-100	SNAP RING - 1-1/8"	4	ELEVATION CYLINDER PINS
!UNUT-02520	U NUT - 1/4-20	5	LOWER COVER
!HHCS-02520063	HEX HEAD CAP SCREW - 1/4-20 X 5/8"	5	LOWER COVER
!FWSH-025	FLAT WASHER - 1/4"	5	LOWER COVER
!HHCS02520075	HEX HEAD CAP SCREW - 1/4-20 X 3/4"	5	HOUSING COVER
!FWSH-025	FLAT WASHER - 1/4"	5	HOUSING COVER
!LWSH-025	LOCK WASHER - 1/4"	5	HOUSING COVER
!HNUT-02520	HEX NUT 1/4-20	5	HOUSING COVER
!SRNG-125	SNAP RING - 1-1/4	1	BOOM PIN



MFG., INC.
CINCINNATI, OHIO

TITLE
REPL. FASTENERS LIST

DATE
7-14-06

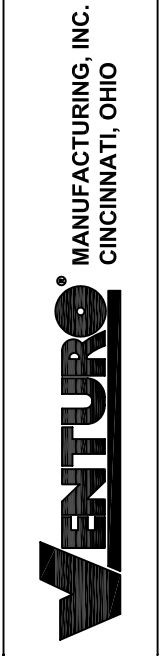
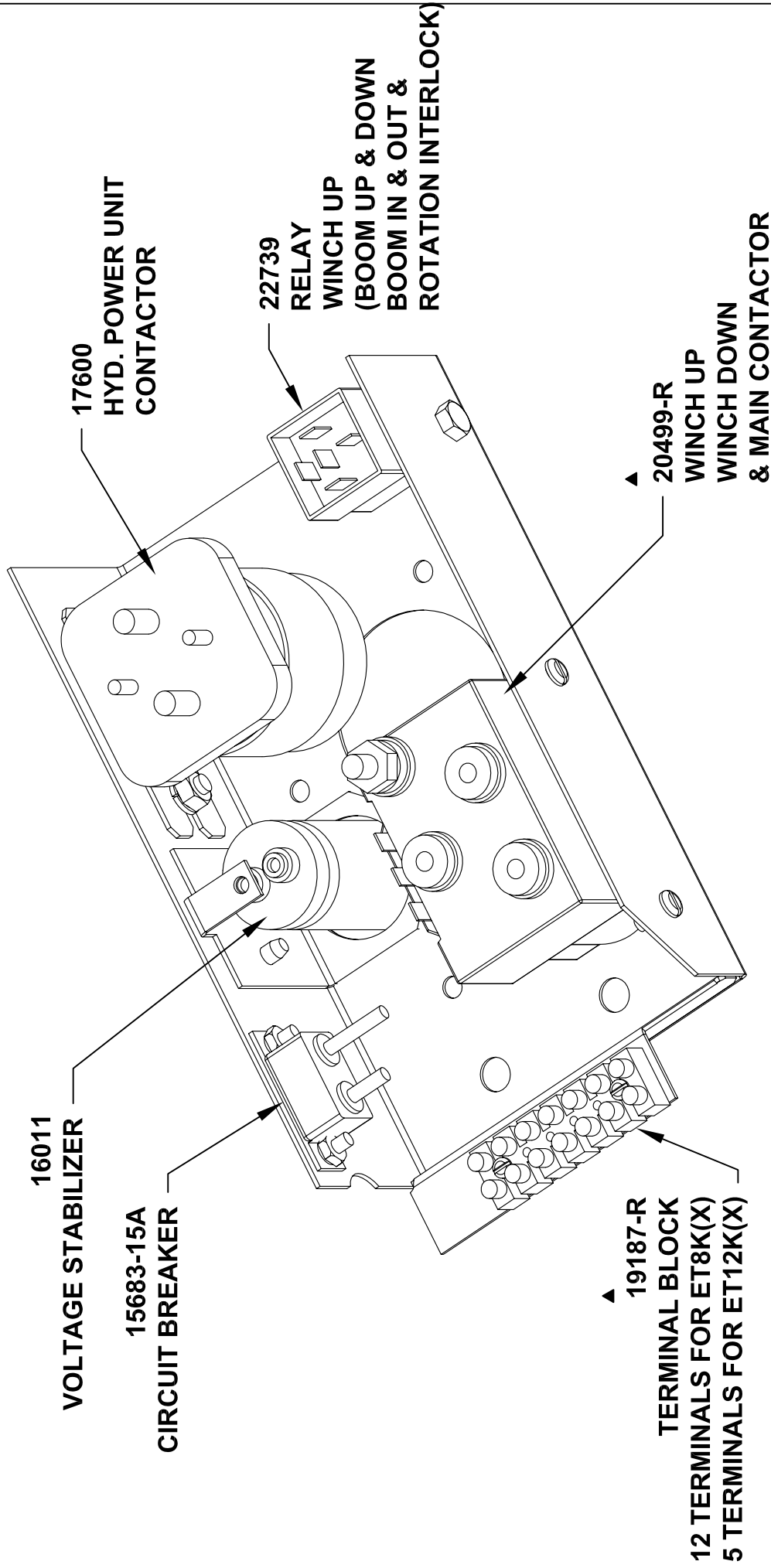
SECTION
C400

ET8KX

SUPPERCEDES
-

21828

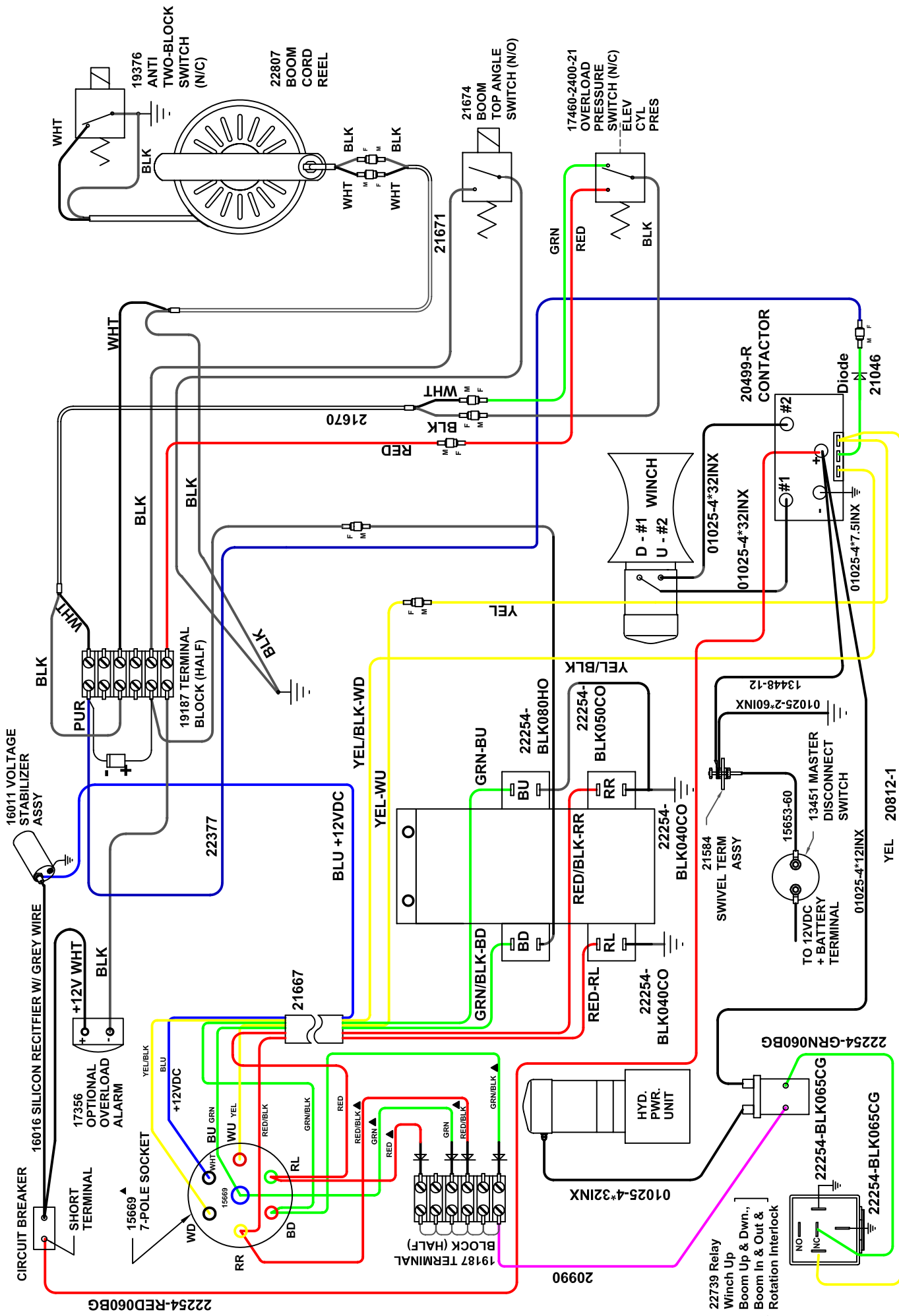
21515 ELECTRICAL COMPONENT ASSEMBLY



TITLE
ELECTRICAL COMPONENT ASSEMBLY
ET8KX - ET12KX

DATE
9-6-06B
SUPERSEDES
7-27-06A

SECTION
C400
21600



SECTION -

DATE **8-31-11F**

SUPERSEDES **4-12-10E**

TITLE **WIRING DIAGRAM**

MANUFACTURING, INC.
CINCINNATI, OHIO

VENTURO

21737

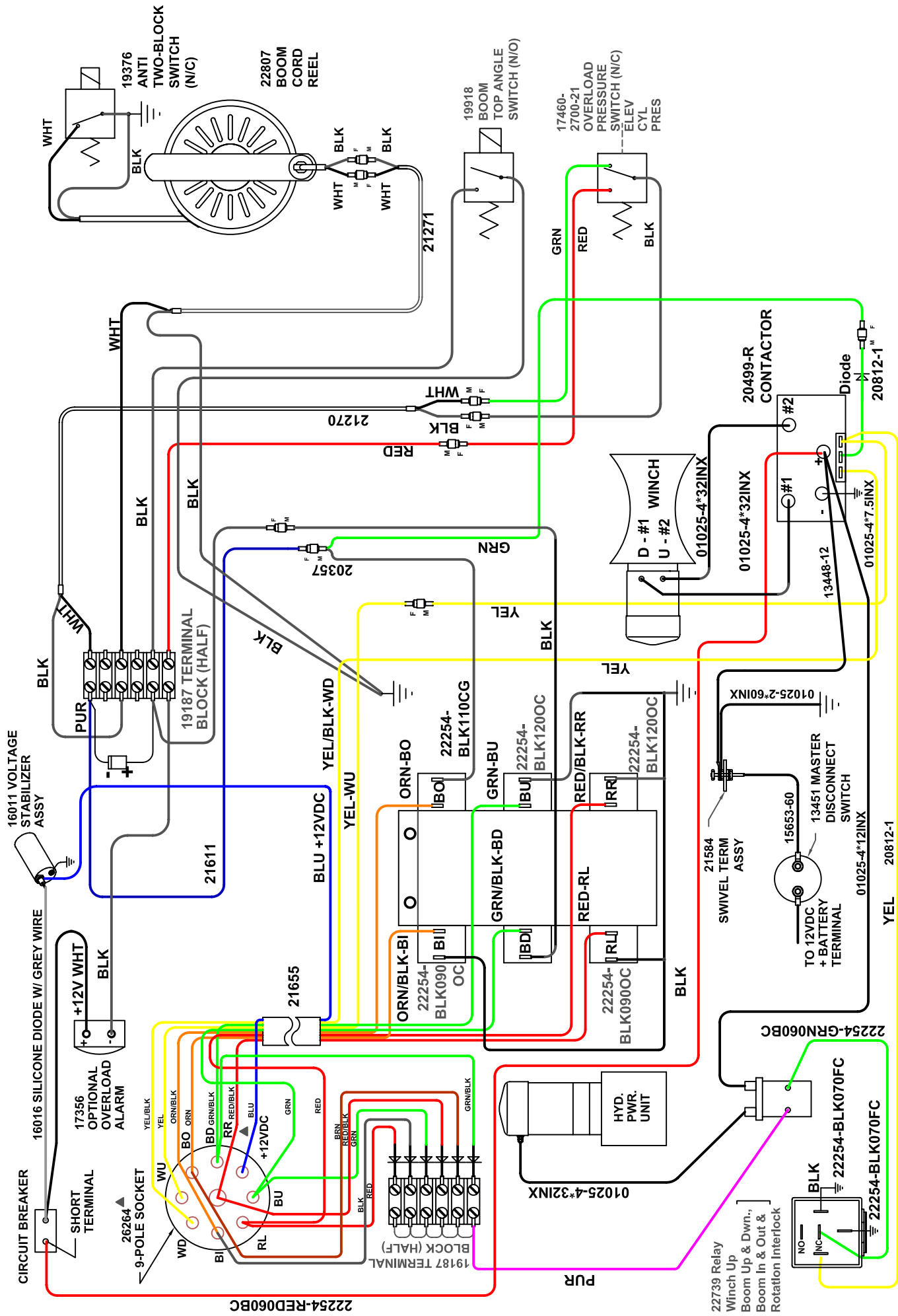
ET8K

20812-1

22254-BLK065CG

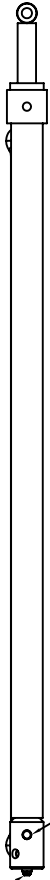
22254-BLK065CG

22254-BLK065CG



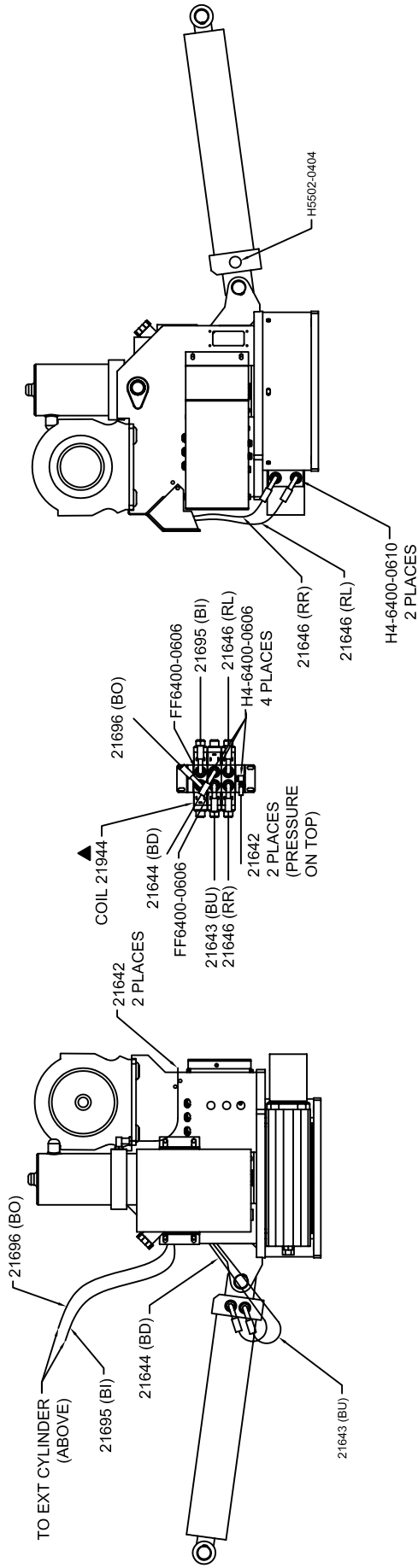
VENTURO MANUFACTURING, INC. CINCINNATI, OHIO	TITLE WIRING DIAGRAM		SECTION -
	DATE 8-31-11F	SUPERSEDES 4-12-10E	21658
ET8KX			

SUN HYDRAULICS COUNTERBALANCE
VALVE PART NO. CBCA-LHN
FACTORY SETTING @ 4000PSI

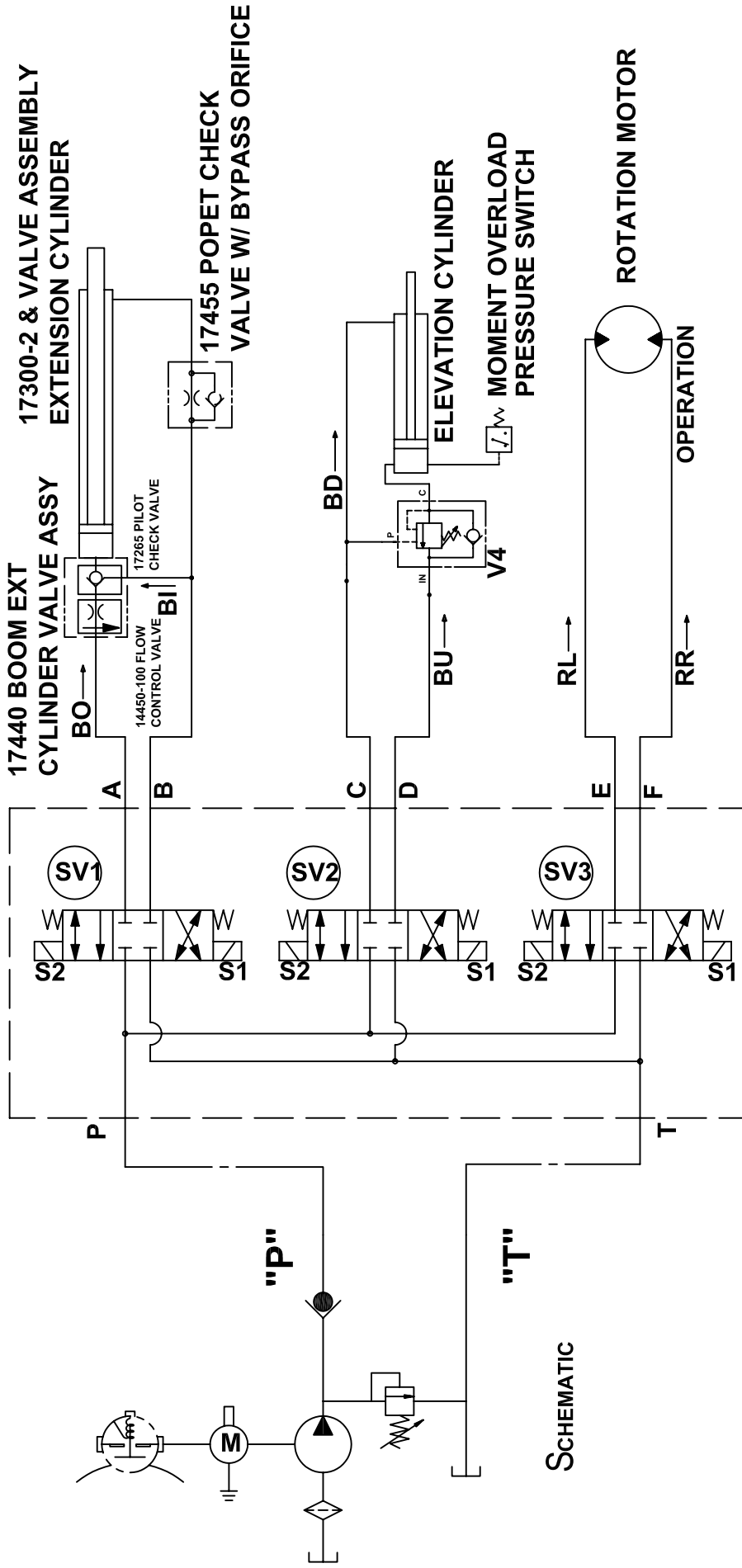


SAE-6 STR THD
O-RING PORTS
9/16-18UNF-2B
2 PLACES

21690 EXTENSION CYLINDER
NOT AVAILABLE ON ET8K OR ET12K



 <p>MANUFACTURING, INC. CINCINNATI, OHIO</p>	TITLE	REPLACEMENT PARTS DRAWING	DATE	3-29-11B	SECTION	-
		ET8/12KX HYDRAULIC COMPONENTS	SUPERSEDES	7-31-08A		21654



SCHMATIC

NOTE:
 17440 CYLINDER & SV1 VALVE
 NOT AVAILABLE ON ET8K OR ET12K

- (SV1)
 - ENERGIZE "S2" OPEN FLOW 'P' TO 'A'
 - 'B' TO 'T'
 - ENERGIZE "S1" OPEN FLOW 'P' TO 'B'
 - 'A' TO 'T'
- (SV2)
 - ENERGIZE "S2" OPEN FLOW 'P' TO 'C'
 - 'D' TO 'T'
 - ENERGIZE "S1" OPEN FLOW 'P' TO 'D'
 - 'C' TO 'T'
- (SV3)
 - ENERGIZE "S2" OPEN FLOW 'P' TO 'E'
 - 'F' TO 'T'
 - ENERGIZE "S1" OPEN FLOW 'P' TO 'F'
 - 'E' TO 'T'

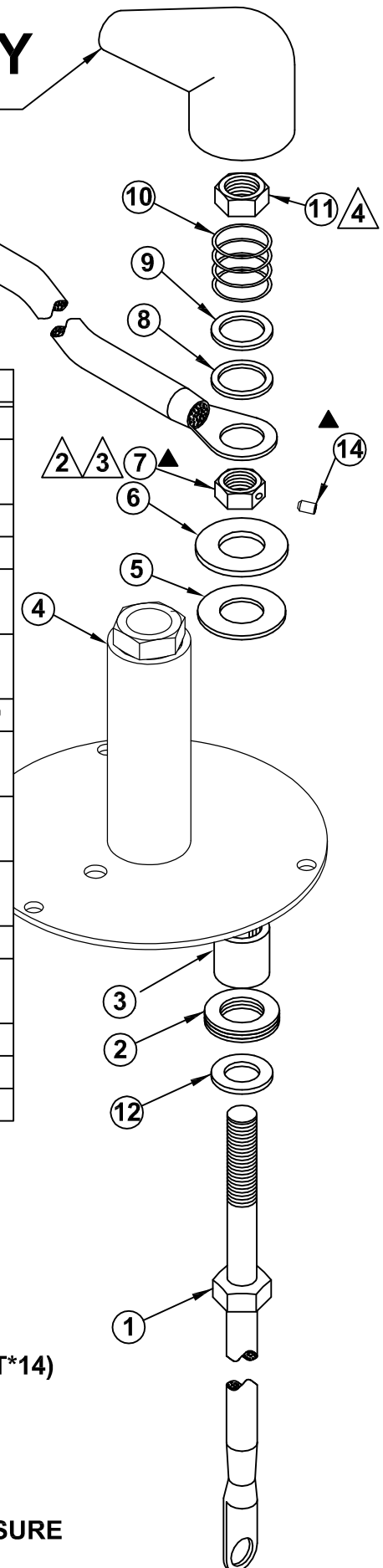
VENTURO MANUFACTURING, INC. CINCINNATI, OHIO	TITLE HYDRAULIC SYSTEM DIAGRAM	DATE 7-27-06A	SECTION C400
	ÉT8KX - ET12KX	SUPERSEDES 2-13-06	21602

21584 SWIVEL TERMINAL ASSY

17011 RUBBER BOOT - REF

13448-XX SWIVEL PIGTAIL

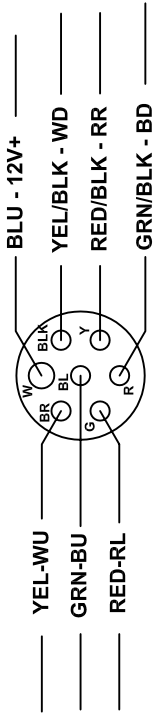
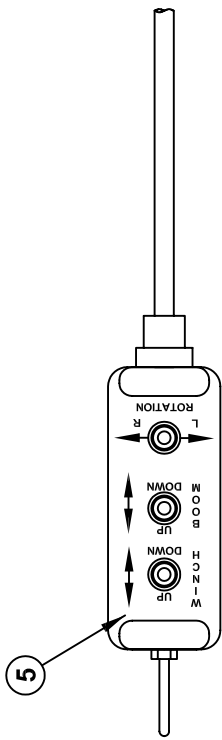
ITEM	QTY	PART NO.	DESCRIPTION
1	1	15653-60	PIGTAIL & STUD ASSY
*2	3	16771-1	FIBER WASHER 1/2" I.D. x 15/16" O.D. x 1/16" THK
*3	1	13410	INSULATING BUSHING
4	1	21506	CANDLESTICK
*5	1	16771-2	FIBER WASHER 1/2" I.D. x 1 1/4" O.D. x 1/16" THK
*6	1	16770*7	BRASS WASHER 1/2" I.D. x 1 1/4" O.D. x 5/64" THK
*7	1	19800	BRASS JAM NUT - 1/2"-13NC - MODIFIED
*8	1	16770*11	TEFLON WASHER 1/2" I.D. x 3/4" O.D. x 1/32" THK
*9	1	16770*10	BRASS WASHER 1/2" I.D. x 11/16" O.D. x 1/32" THK
*10	1	LC-063HJ-1	SPRING .66" O.D. x .63" W x 5/8" F.L.
*11	1	IJNUT-05013N	NYLON INSERT-JAMNUT - 1/2"-13
*12	1	12534-4	MACHINERY BUSHING 1/2" I.D. x 7/8" O.D. x 14 GA THK
*13	1	LOCTITE-24205	LOCTITE CAPSULE GRADE 242 BLUE
*14	1	21029	SET SCREW; CONE-PT., 10-34 x 1/4" SS
*15	1	21584i	REPL. PARTS DWG (THIS PAGE)



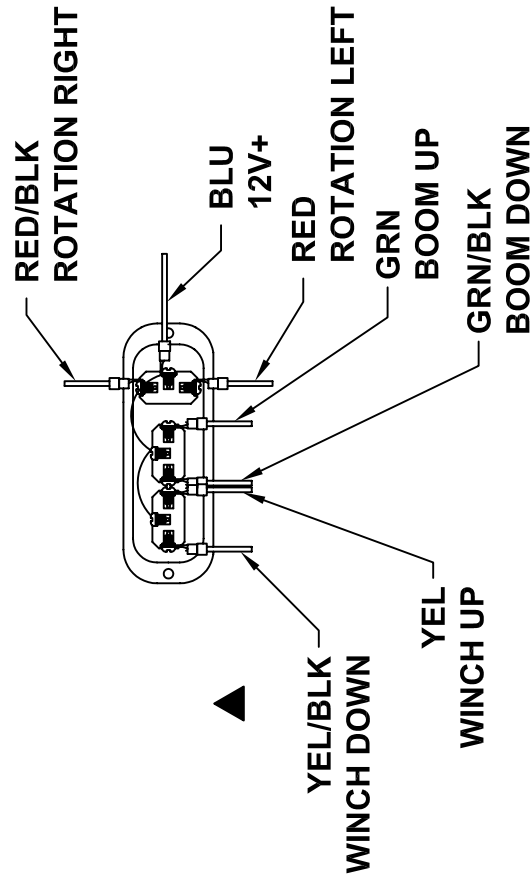
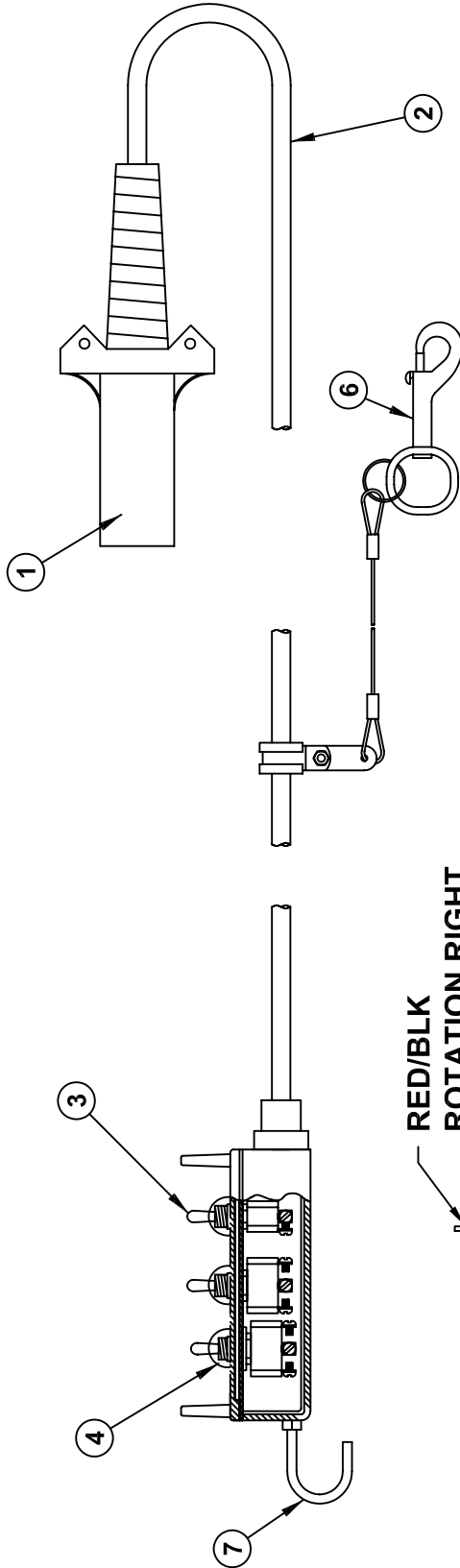
* ITEMS ARE ONLY AVAILABLE IN A 21585 SERVICE PARTS KIT

- ▲ 1 21585 REPLACES & IS INTERCHANGEABLE WITH 16772 (EXCEPT*14)
- ▲ 2 SECURE WITH LOCTITE 242 BLUE
- ▲ 3 TORQUE TO 30 FT-LBS, THEN TIGHTEN SET SCREW.
- ▲ 4 TIGHTEN UNTIL ONE THREAD IS VISIBLE ABOVE THE NUT & ENSURE THAT SPRING IS NOT FULLY COMPRESSED

19790 3-SWITCH PENDANT



PLUG - BACKSIDE VIEW

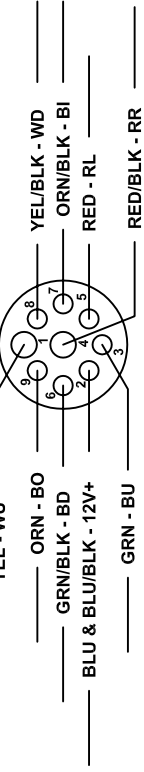


ITEM	QTY	PART NO.	DESCRIPTION
7	1	11557	PENDANT HOOK
6	1	15913-2	PHAN, CLAMP AND TETHER ASSY
5	1	25538	DECAL
4	3	19793	TOGGLE BOOT
3	3	13763	TOGGLE SWITCH
2	1	17151-xx	CORD ASSY (xx = LENGTH IN FT.)
1	1	24348	PLUG - 7 POLE

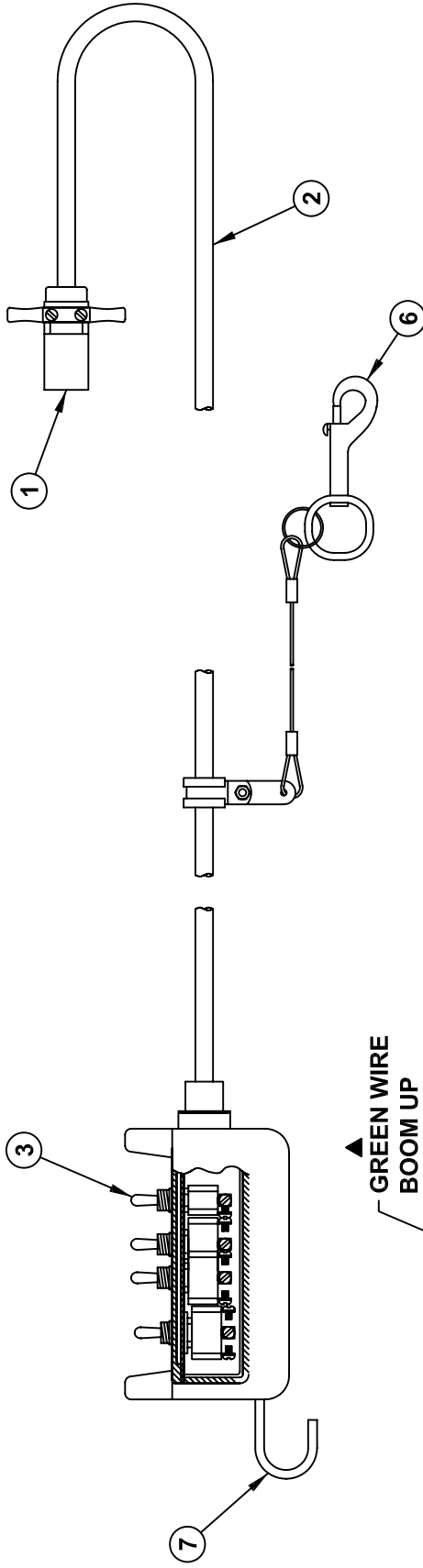
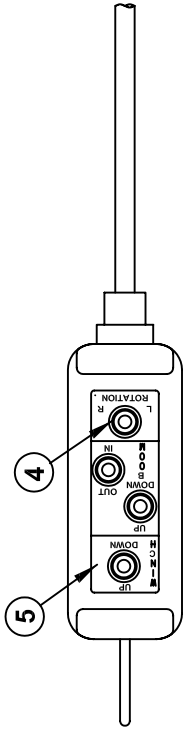
TITLE	DATE	SECTION
REPL. PARTS DWG.	1-17-05C	C400
3 FUNCTION CRANES	SUPERSEDES 10-18-01B	19791



20160 4-SWITCH PENDANT

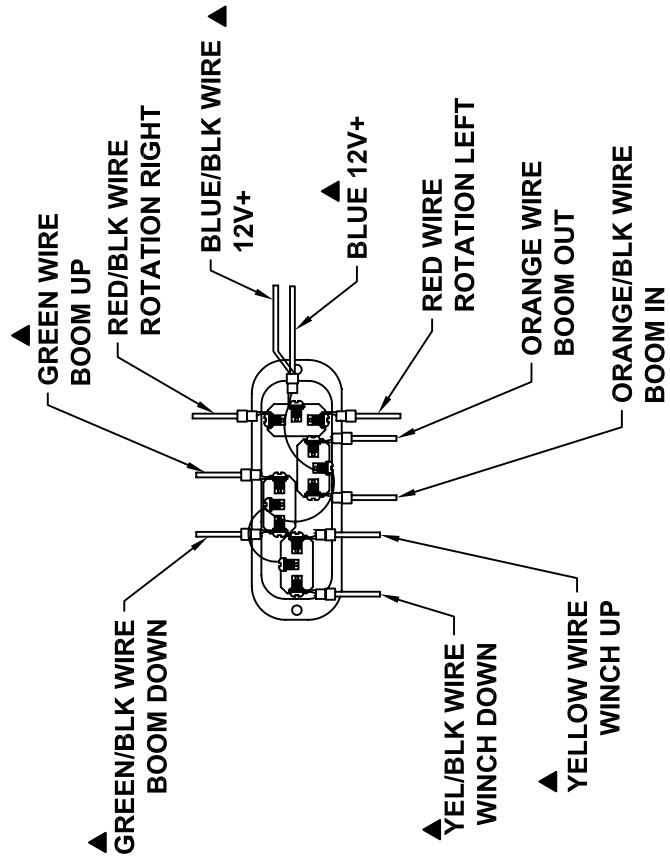


PLUG - BACKSIDE VIEW



▲ NOTE: BLACK WIRE IS NOT USED

ITEM	QTY	PART NO.	DESCRIPTION
10	1	20165	GASKET / CORD RESTRAINT - PENDANT HEAD
9	1	20164	BASE - PENDANT HEAD
8	1	20163	COVER - PENDANT HEAD
7	1	11557	PENDANT HOOK
6	1	15913-2	PHAN, CLAMP AND TETHER ASSY
5	1	17363	DECAL
4	4	19793	TOGGLE BOOT
3	4	13763	TOGGLE SWITCH
2	1	26262-xx	CORD ASSY (xx = LENGTH IN FT.)
1	1	26263	PLUG - 9 POLE



VENTURO MANUFACTURING, INC.
CINCINNATI, OHIO

TITLE: **REPL. PARTS DWG.**

DATE: **1-14-05C**

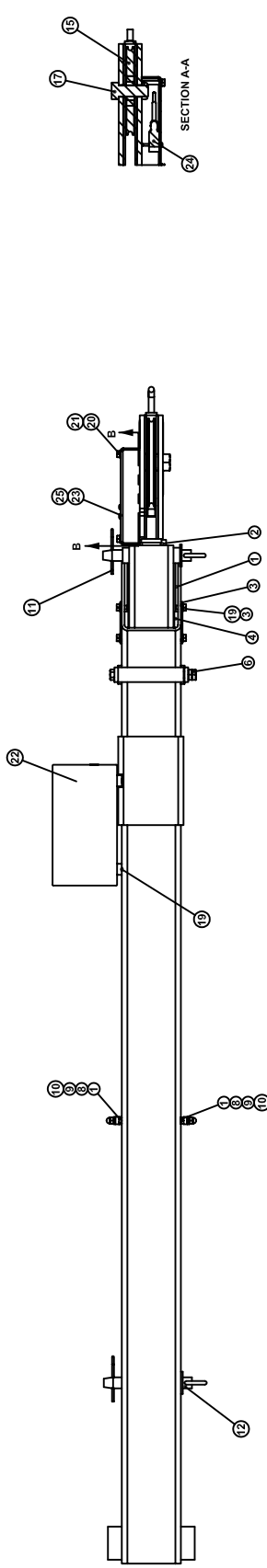
SECTION: **C400**

SUPERSEDES: **7-16-01B**

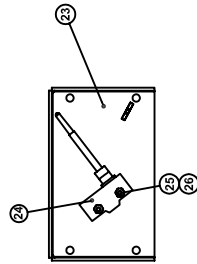
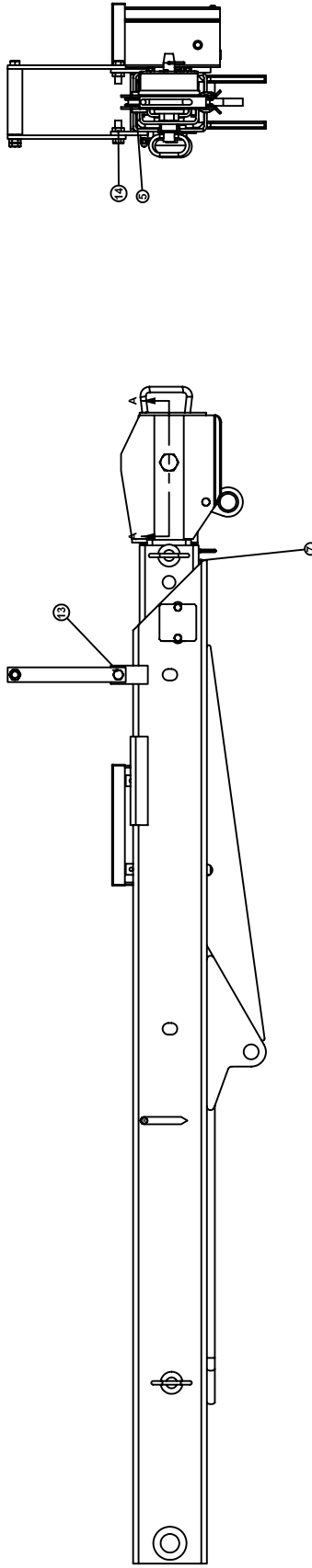
DESCRIPTION: **20161**

4 FUNCTION CRANES

21729 BOOM PARTS DRAWING




SECTION A-A

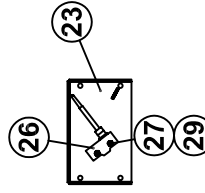
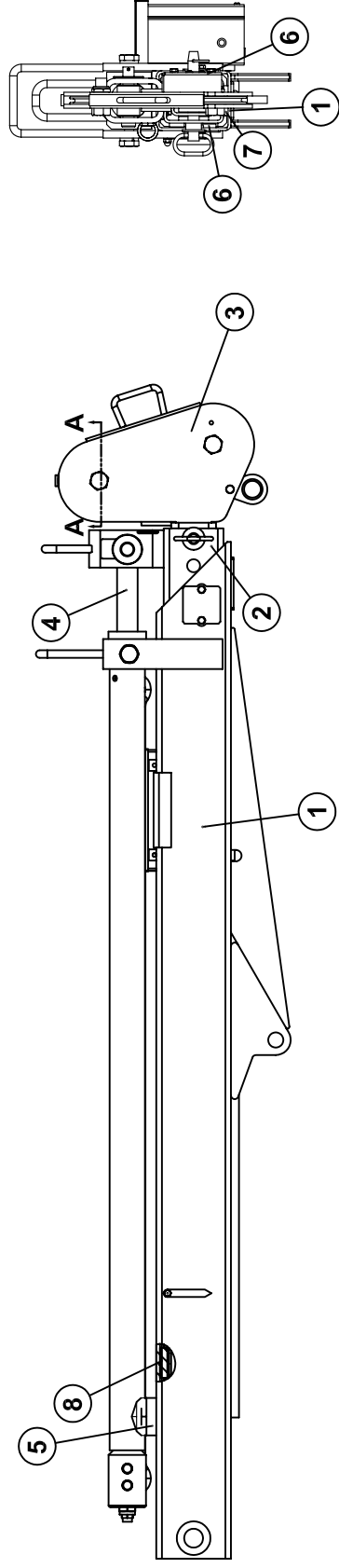
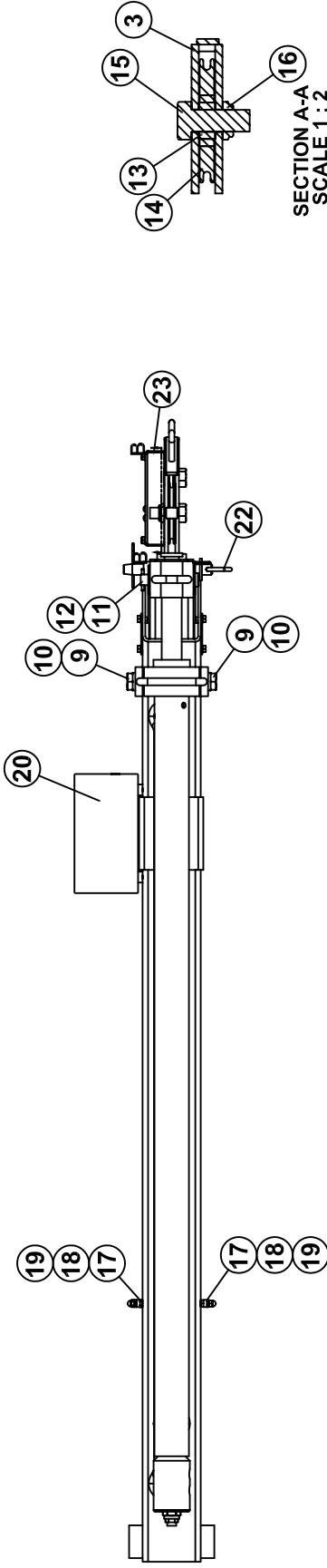


SECTION B-B

ITEM NO.	QTY.	PART NUMBER	DESCRIPTION	ITEM NO.	QTY.	PART NUMBER	DESCRIPTION
26	2	ILWSH-#06	LOCK WASHER - 6	13	2	!HHCSD4414125	HEX HEAD CAP SCREW 7/16-14 X 1-1/4 LG
25	1	!PHMSR#0632125	PHILLIPS HEAD CAP SCREW 6-32 X 1-14 LG	12	1	19258-2	BOOM PIN - 7/32X5/32
24	1	19276	ANTI TWO-BLOCK SWITCH	11	1	19258-3	BOOM PIN - 3/15/12
23	1	21291	ANTI TWO-BLOCK HOUSING	10	2	!ANUT-02520S	ACORN NUT 1/4-20 STAINLESS
22	14	22883	ANTI 2 BLOCK CORD REEL ASSEMBLY	9	2	13459-1	BOOM ARROW 3-3/16 LONG
21	4	ILWSH-025	LOCKWASHER - 1/4	8	1	22490	SPACER, BOOM ARROW 1/2" O.D.
20	4	!HHCSD2520175	HEX HEAD CAP SCREW 1/4-20 - 1-3/4 LG	7	1	22147	STOP BLOCK
19	10	!HHCSD2520050	HEX HEAD CAP SCREW 1/4-20 - 1/2 LG	6	1	21566	ASSY WIRE ROPE GUIDE
18	1	!JNUT-071510N	NYLON LOCK-JAMNUT 3/4"-10	5	1	21538	BOOM BEARING - 1-1/2 X 2 X 1/2
17	1	17059-6	SHEAVE AXLE 3/4 X 2 W/1" SHANK	4	2	21209	BOOM BEARING - 1-1/2 X 2 X 7/16
16	1	20536	SPACER - 20537 SHEAVE	3	2	21528	BEARING CAP
15	2	20537	POLY CABLE SHEAVE W/ BUSHING	2	1	21728	TERTIARY BOOM ASSEMBLY
14	2	!JNUT-04414N	NYLON LOCK-JAM NUT - 7/16-14	1	1	21724	PRIMARY BOOM WELDED ASSEMBLY

 VENTURO MANUFACTURING, INC. CINCINNATI, OHIO	TITLE 21729 BOOM PARTS DRAWING	DATE 5-4-07A	SECTION C400
	ET8K	SUPERSEDES 2-7-07	PART NUMBER 21834

21719 BOOM PARTS DRAWING

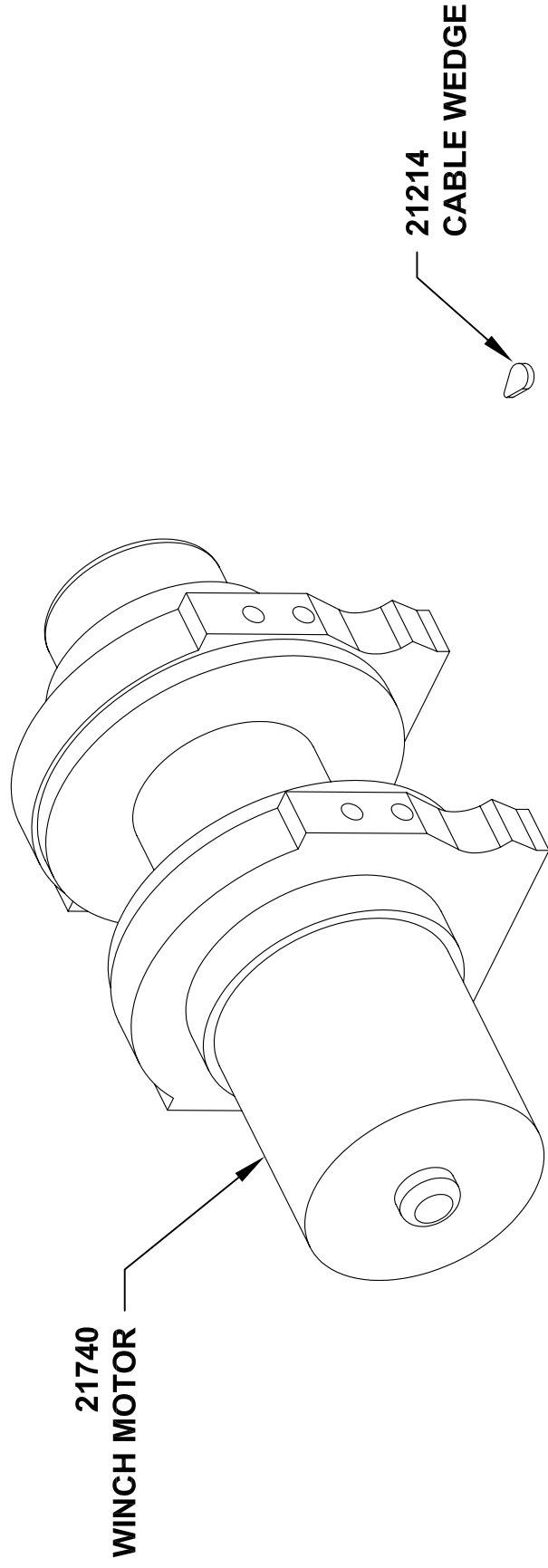


ITEM NO.	RETRACTED/QU.	PART NUMBER	DESCRIPTION	ITEM NO.	RETRACTED/QU.	PART NUMBER	DESCRIPTION
15	2	17089	SHEAVE AXLE	30	2	ILWSH-#06	LOCK WASHER - 6
14	2	17886	POLY CABLE SHEAVE W/ BUSHING	29	2	IHNUT-#0632	HEX NUT 6-32
13	2	17068	SPACER	28	2	IFWSH-#06	FLAT WASHER #06
12	1	IRPIN-016150	ROLL PIN, 5/32 X 1-1/2	27	2	IPHMS#0632125	PHILLIPS HEAD CAP SCREW 6-32 X 1-14 LG
11	1	13401-2A	CYL PIVOT PIN 3/4 X 3-3/4	26	1	19376	ANTI-TWO BLOCK SWITCH
10	2	17344	PIVOT BOLT	25	4	ILWSH-025	LOCKWASHER - 1/4
9	2	ILWSH-075	LOCK WASHER - 3/4"	24	4	IHCS02520175	HEX HEAD CAP SCREW - 1/4-20 X 1-3/4 LG
8	1	21538	BOOM BEARING - 1-1/2 X 2 X 1/2	23	1	21291	SWITCH BRACKET
7	1	21288	BOOM BEARING - 2 X 3 X 1/2	22	1	19256-1	BOOM PIN
6	2	21209	BOOM BEARING - 1-1/2 X 2 X 7/16	21	4	IHCS02520050	HEX HEAD CAP SCREW 1/4-20 X 1/2" LG
5	1	20285	BUMPER - BOOM	20	1	22663	ANTI 2 BLOCK CORD REEL ASSEMBLY
4	1	21754 ▲	1-7/8 X 48-1/8 DA CYLINDER	19	2	IANUT-02520S	ACORN NUT 1/4-20 STAINLESS
3	1	21716	MANUAL EXT. BOOM ASSEMBLY	18	2	22490	SPACER, BOOM ARROW 1/2" O.D.
2	1	21713	PRIMARY BOOM WELDED ASSEMBLY	17	2	13459-1	BOOM ARROW 3-3/16 LONG
1	1	21713	SECONDARY BOOM WELDED ASSEMBLY	16	2	ILNUT-07510	LOCKNUT 3/4-10

SECTION B-B

<p>MANUFACTURING, INC. CINCINNATI, OHIO</p>	TITLE	DATE	SECTION
	21719 BOOM PARTS DRAWING	4-10-09C	C400
ET8KX	SUPERSEDES	7-31-08B	21829

REPLACEMENT PARTS 21556 WINCH



VENTURO[®] MANUFACTURING, INC.
CINCINNATI, OHIO

TITLE
REPLACEMENT PARTS DRAWING

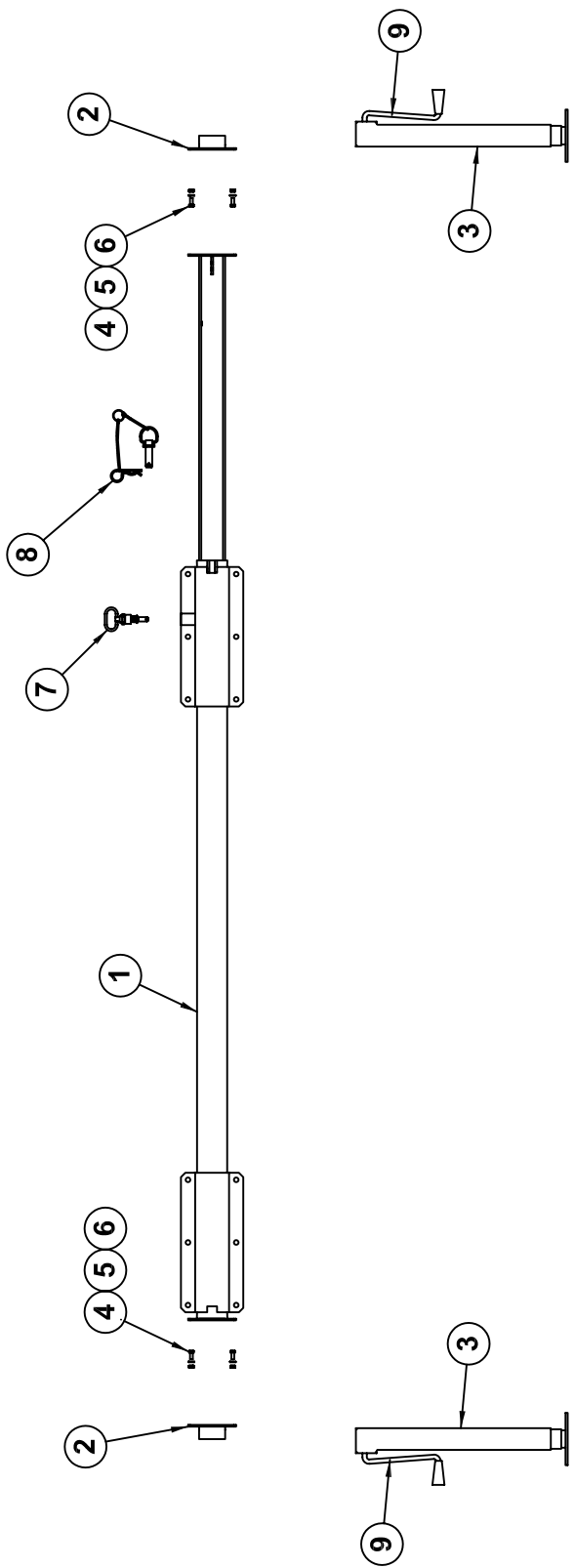
DATE
10-16-07

SECTION
-

21556 WINCH

SUPERSEDES
-

21741



9	2	18586-HANDLE	HANDLE, CRAND-DOWN LEG
8	1	24981	OUTRIGGER SECURITY PIN
7	1	18520	SPRING LOADED ASSEMBLY
6	8	!LWSH-031	LOCKWASHER - 5/16
5	8	!HNUT-03118	HEX NUT - 5/16-18
4	8	!HHCS03118075	HEX HEAD CAP SCREW - 5/16-18 X 3/4" LONG
3	2	18586	CRANKDOWN LEG
2	2	18587	CRANKDOWN LEG ADAPTER
1	1	18501	TUBE - OUTRIGGER ASSEMBLY
ITEM	QTY	PART NO	DESCRIPTION

TITLE		SECTION	
REPLACEMENT PARTS DWG & LIST		C400	
DATE		DATE	
7-28-10C		7-28-10C	
SUPERSEDES		SUPERSEDES	
4-18-06B		4-18-06B	
18500-CD MANUAL OUTRIGGERS		22689	

21832 DECAL KIT

PART NO.	QTY.	DESCRIPTION
14473-2	5	DECAL, GREASE
17389	2	DECAL, VENTURO - MEDIUM
15401	1	DECAL, UNLAWFUL TO OPERATE
21702	1	DECAL, BOOM CAPACITY ET8K(X) RIGHT
21703	1	DECAL, BOOM CAPACITY ET8K(X) LEFT
21823	2	DECAL, MODEL NAME DECAL
15392	1	DECAL, DANGER ELECTROCUTION HAZARD
15391	1	DECAL, CRANE NOT PASSENGER LIFT
15390	1	DECAL, CAUTION, INSTRUCTIONS
13397	1	DECAL, OIL LEVEL
15398	1	DECAL, UNPLUG PENDANT
21822	1	INST. DWG DECAL PLACEMENT
20174	1	DECAL, GROUND CABLE ATTACH TO TRUCK FRAME
21626	1	MANUAL OVERRIDE - RIGHT
21627	1	MANUAL OVERRIDE - LEFT

VENTURO
MANUFACTURING, INC.
CINCINNATI, OHIO

TITLE
FIELD SERVICE LABEL KIT

ET8K(X)

DATE
7-26-06

SUPERSEDES
-

SECTION
C400

21833



LIMITED WARRANTY POLICY

This limited policy warrants new products of Venturo to be free from defects in material and workmanship for a period of one (1) year from date of original installation. This warranty covers:

- ◆ ***Repair or replacement of product***
- ◆ ***Labor to repair or replace product***
- ◆ ***Freight to return and/or replace product***

We shall not be liable for any contingent liabilities arising out of the improper function of any products. Warranty shall become void if the product is improperly installed, modified, damaged, abused or used for application other than intended use.

WARRANTY CLAIMS

Venturo Manufacturing, Inc. will make a good faith effort for prompt correction or other adjustment with respect to any product, which proves to be defective after our inspection and within the warranty period. Before any repairs are attempted or before returning any product, your Venturo Distributor is required to obtain a warranty claim number. This number is necessary for any claim to be considered. To obtain a warranty claim number, Venturo requires the model and serial number. Only authorized Venturo Distributors can perform warranty. For the name and address of your local Venturo Distributor call the **Warranty Claim Department – 513-772-8448**.

WARNING – It is the responsibility of the installer to ensure the installation is completed according to the manufacturer's recommendations, ensure the ultimate user understands how to operate product in a safe manner, and understands the need for regular service and maintenance by an authorized Venturo Distributor. No modifications or alterations may be made to any Venturo products without the expressed written consent of the manufacturer. Reinstallation of any Venturo product must be done by an authorized Venturo Distributor, to the standards of the industry; including maintenance, service and affixing of all instruction, safety and warning decals. Users should again be instructed as to the safe operation at time of delivery. Maintenance, service, operation and safety warning decals are available on request from Venturo Manufacturing, Inc.

VENTURO MANUFACTURING, INC
DIVISION OF COLLINS ASSOCIATES, INC
12110 BEST PLACE – CINCINNATI, OHIO 45241
513-772-8448
www.venturo.com