



VENTURO
TRUCK MOUNTED CRANES

ET12K(X)

*EG*AAB-***
INSTALLATION & OWNER'S MANUAL

TABLE OF CONTENTS

ET12K(X) (EG* AAB-**) OWNER'S MANUAL

<u>SECTION 100</u>	<u>DESCRIPTION & SPECIFICATIONS</u>
21591	INSTALLATION DIMENSIONS
21592	BASE MOUNTING DIMENSIONS
21575	CAPACITY CHART
16941	TYPICAL REINFORCEMENT FOR MOUNTING CRANE ON TOP OF SERVICE BODY
21594	21571 MOUNTING PEDESTAL
22686	18500-CD MANUAL STABILIZER
13509	13500 MANUAL STABILIZER
I23961	23961 MANUAL STABILIZER
I23960	23960 MANUAL STABILIZER
<u>SECTION 150</u>	<u>SAFETY</u>
850711	SAFETY & HAZARDS - GENERAL
15394	VEHICLE & CRANE ELECTRIC HAZARD INFORMATION
21353	SAFETY DECALS
21354	DECALS FOR ET CRANES
28041	ADDITIONAL DECALS
21595	MODEL & CAPACITY DECALS
<u>SECTION 200</u>	<u>INSTALLATION</u>
711105	CABLE & BATTERY REQUIREMENTS - ET & HT CRANES
15660	CABLE & BATTERY INSTALLATION DRAWING
▲ 20906-12	STABILITY TESTING
20907	STABILITY CHART
22245	WIRE ROPE INSTALLATION
20872	ADJUSTABLE BOOM REST
<u>SECTION 300</u>	<u>MAINTENANCE & SERVICE</u>
900530a	OPERATION & MAINTENANCE INSTRUCTIONS
900530b	OPERATION & MAINTENANCE INSTRUCTIONS
900530c	OPERATION & MAINTENANCE INSTRUCTIONS
21306	LUBRICATION & MAINTENANCE CHART
19963	MINIMUM VOLTAGE TEST
23225	WIRE ROPE & HOOK SPECIFICATIONS
<u>SECTION 400</u>	<u>REPLACEMENT PARTS</u>
21597	REPLACEMENT PARTS DRAWING; ET12KX
21598	REPLACEMENT PARTS LIST; ET12KX
21607	REPLACEMENT PARTS DRAWING; ET12K
21608	REPLACEMENT PARTS LIST; ET12K
21599	REPLACEMENT FASTENERS LIST
21792	28008-1 BOOM ASSY; REPLACEMENT PARTS DRAWING
21793	28008-1 BOOM ASSY; REPLACEMENT PARTS LIST
21794	28008 BOOM ASSY; REPLACEMENT PARTS DRAWING
21795	28008 BOOM ASSY; REPLACEMENT PARTS LIST
28040	ANTI-2-BLOCK REPLACEMENT PARTS DRAWING / LIST
21600	21515 ELECTRICAL COMPONENT ASSY
21628	WIRING DIAGRAM; ET12KX
21947	WIRING DIAGRAM; ET12KX W/ OPERATOR CONTROLLED HORN
21629	WIRING DIAGRAM; ET12K
21949	WIRING DIAGRAM; ET12K W/ OPERATOR CONTROLLED HORN
28037	HYDRAULIC SYSTEM COMPONENTS REPLACEMENT PARTS DRAWING
21602	HYDRAULIC SYSTEM SCHEMATIC
21584i	16770 SWIVEL TERMINAL ASSY; REPLACEMENT PARTS DRAWING / LIST
22077	22061 3-FUNCTION PENDANT CONTROL REPLACEMENT PARTS
23076	21991 PENDANT; REPLACEMENT PARTS DRAWING / LIST (3 FUNCTION)
22076	22060 4-FUNCTION PENDANT CONTROL REPLACEMENT PARTS
23075	21990 PENDANT; REPLACEMENT PARTS DRAWING / LIST (4 FUNCTION)
21741	21556 WINCH REPLACEMENT PARTS DRAWING / LIST
16942	20873 HYDRAULIC POWER UNIT REPLACEMENT PARTS DRAWING / LIST
21973	21735 SLEWING REPLACEMENT PARTS DRAWING
22689	18500-CD STABILIZER REPLACEMENT PARTS DRAWING / LIST
21580	DECAL PLACEMENT
21604	FIELD SERVICE LABEL KIT; 21586 (ET12KX)
21610	FIELD SERVICE LABEL KIT; 21587 (ET12K)



Venco Venturo Industries LLC
Cincinnati, Ohio

TITLE
TABLE OF CONTENTS
ET12K(X) EG* AAB-**

DATE
08-04-15G
SUPERSEDES
10-08-14F

SECTION
-
28032

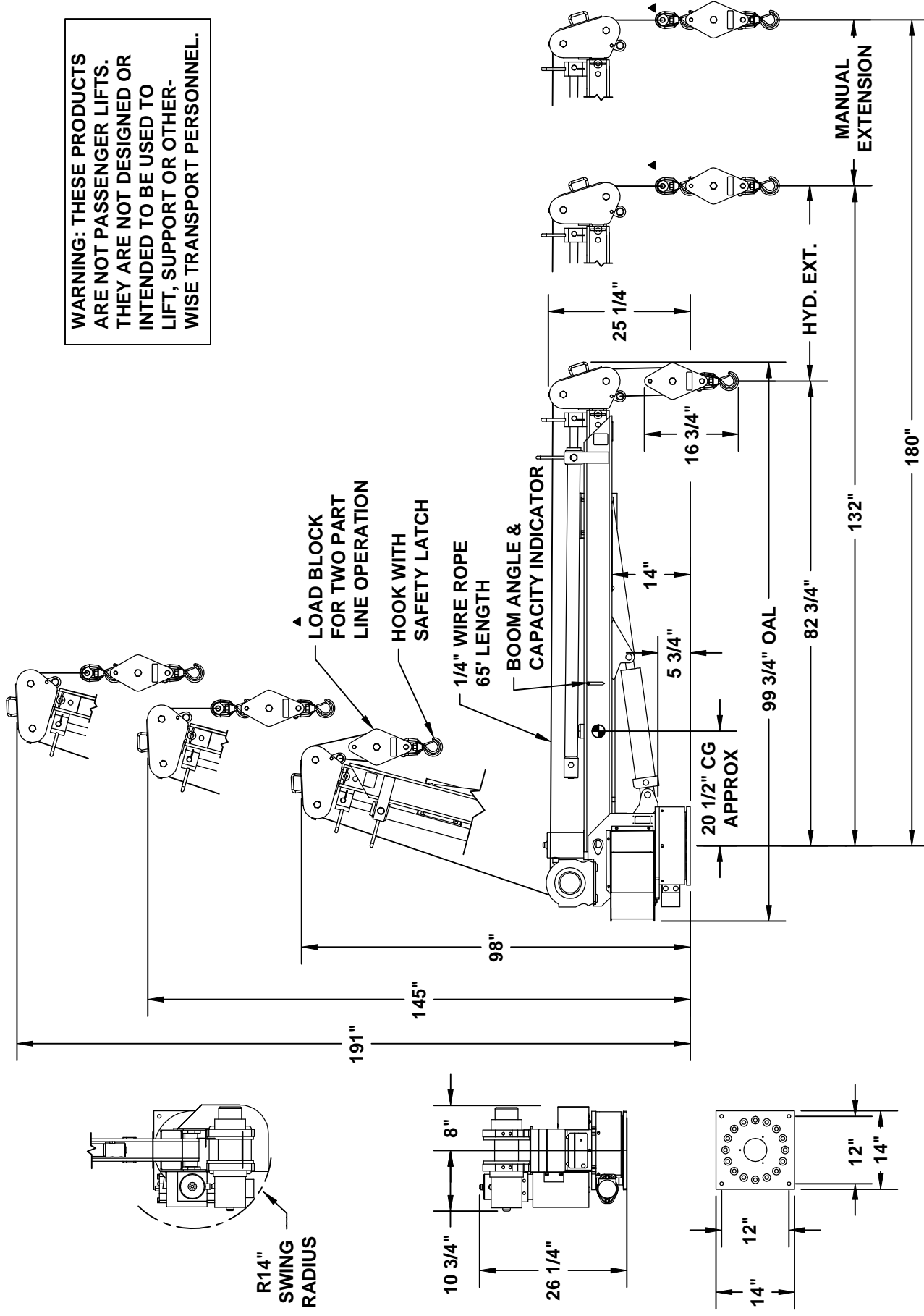
SECTION 100

DESCRIPTION

&

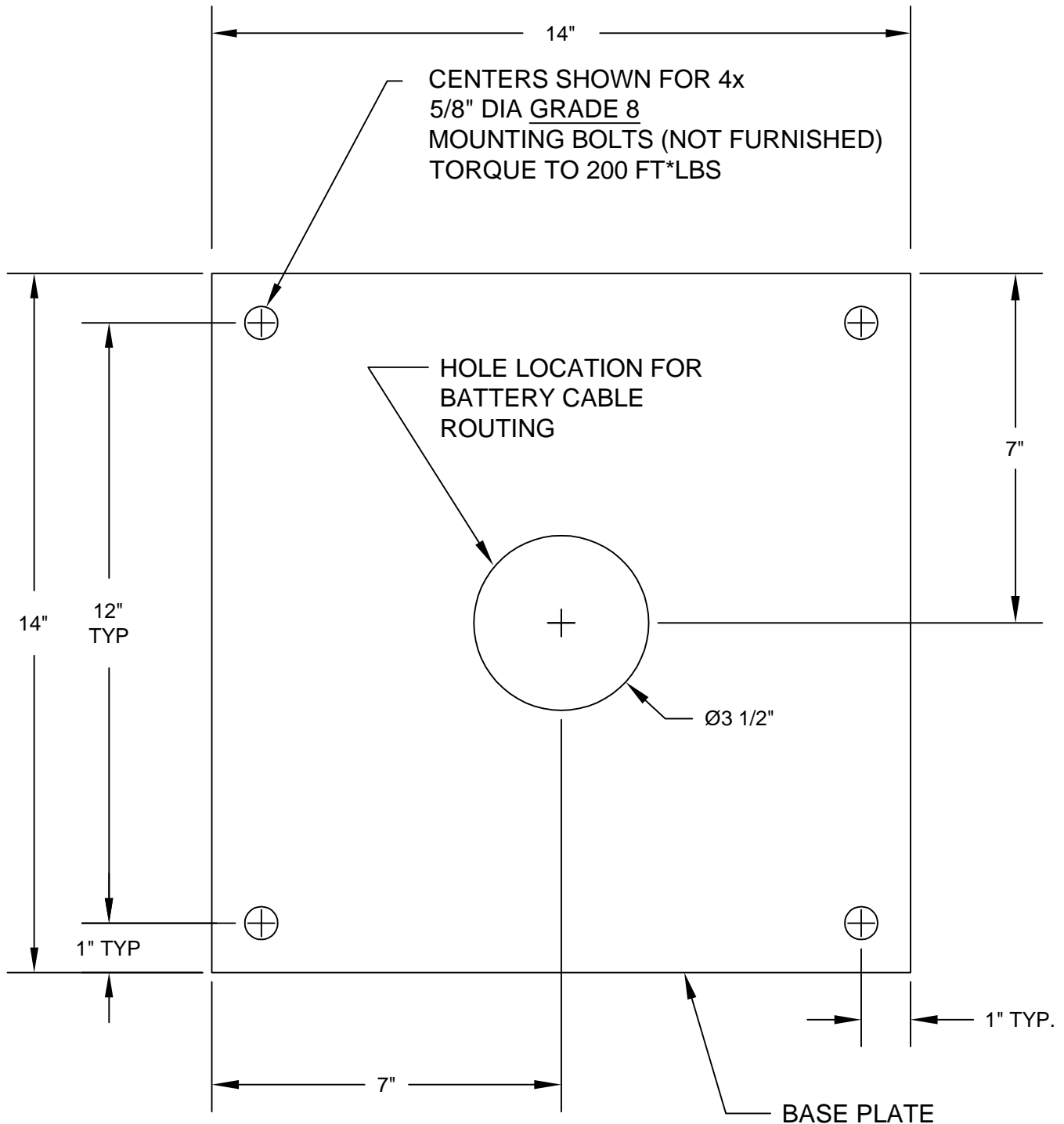
SPECIFICATIONS

WARNING: THESE PRODUCTS ARE NOT PASSENGER LIFTS. THEY ARE NOT DESIGNED OR INTENDED TO BE USED TO LIFT, SUPPORT OR OTHERWISE TRANSPORT PERSONNEL.



VENTURO MANUFACTURING, INC. CINCINNATI, OHIO	TITLE INSTALLATION DRAWING		DATE 3-29-12C	SECTION -
	ET12K(X), W/ 7 - 15 FT BOOM		SUPERSEDES 7-6-10B	21591

21571 MOUNTING HOLE TEMPLATE



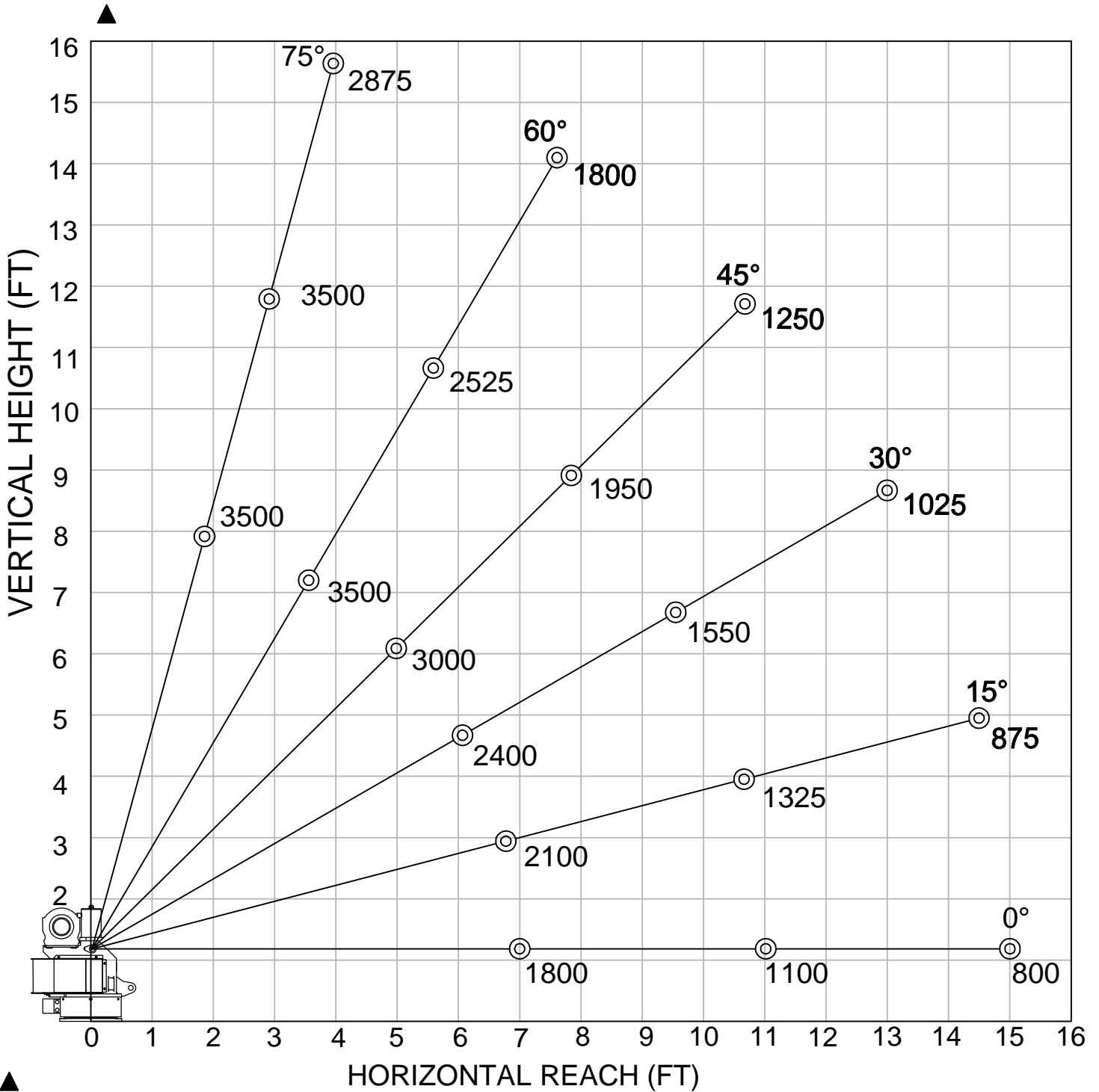
VENCO VENTURO INDUSTRIES LLC
CINCINNATI, OHIO

TITLE	21571 BASE MNTNG DIMS
ET8/12/16/18 CRANES	

DATE	10-22-14F
SUPERSEDES	12-20-13E

SECTION	C100
	21592

ET12K(X), 7-11-15 FT. BOOM MAXIMUM CAPACITY CHART



Weight of load handling devices are part of the load and must be deducted from the gross capacity.

LOAD BLOCK USAGE:

1 part line for loads less than 1750 lbs.

2 part line for loads of 1750 lbs. and greater.

Weight of Load Block = 24 lbs.



MANUFACTURING, INC.
CINCINNATI, OHIO

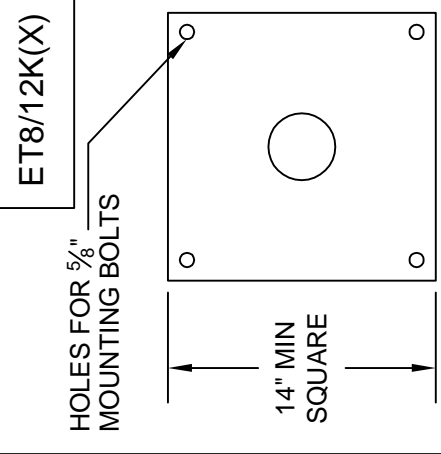
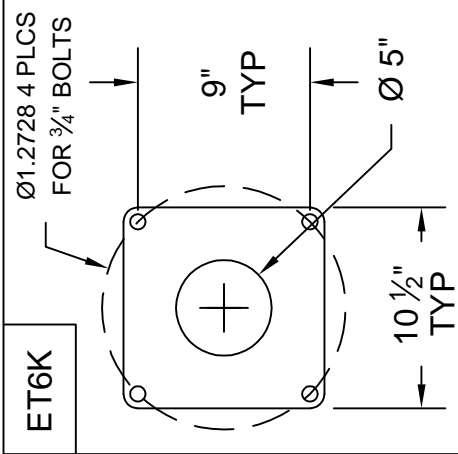
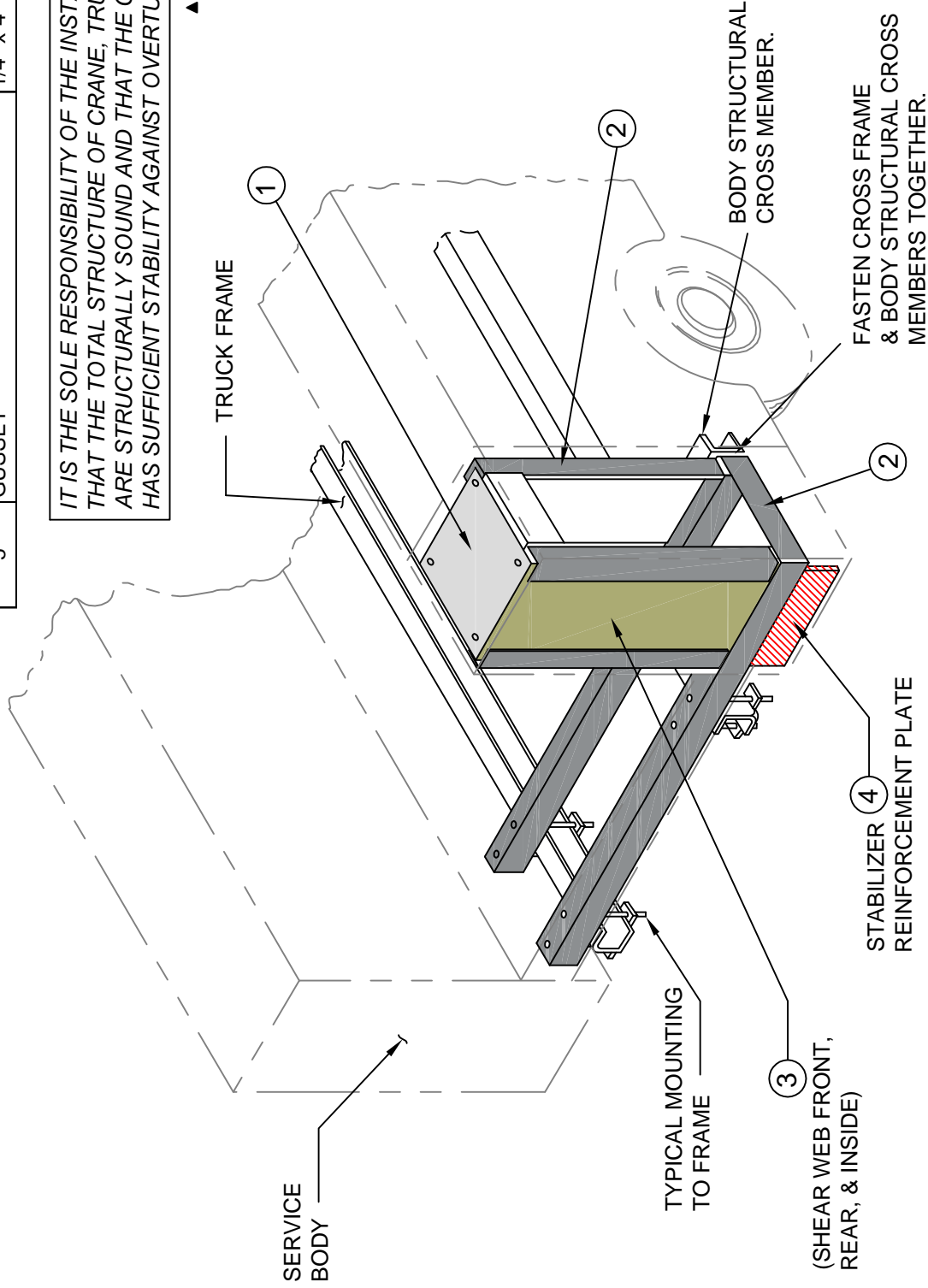
TITLE
CAPACITY CHART
ET12K(X), 7'-11'-15' BOOM

DATE
04-29-13B
SUPERSEDES
02-10-12A

SECTION
C100
21575

ITEM NO.	DESCRIPTION	MINIMUM RECOMMENDED MATERIAL SIZE
1	TOP PLATE	STEEL PLATE
2	CORNER POST	3" x 3" x 1/4" STEEL ANGLE
3	SHEAR WEB	12 Ga.
4	STABILIZER REINFORCEMENT PLATE	3/16" THICK STEEL PLATE
5	GUSSET	1/4" x 4" H.R. STEEL (NOT SHOWN)

IT IS THE SOLE RESPONSIBILITY OF THE INSTALLER TO INSURE THAT THE TOTAL STRUCTURE OF CRANE, TRUCK, AND STABILIZERS ARE STRUCTURALLY SOUND AND THAT THE COMPLETED VEHICLE HAS SUFFICIENT STABILITY AGAINST OVERTURNING.



ILLUSTRATIONS NOT TO SCALE

VENTURO[®]

VENCO VENTURO INDUSTRIES LLC
CINCINNATI, OHIO

TITLE
INSTALLATION DRAWING

DATE
01-28-15C

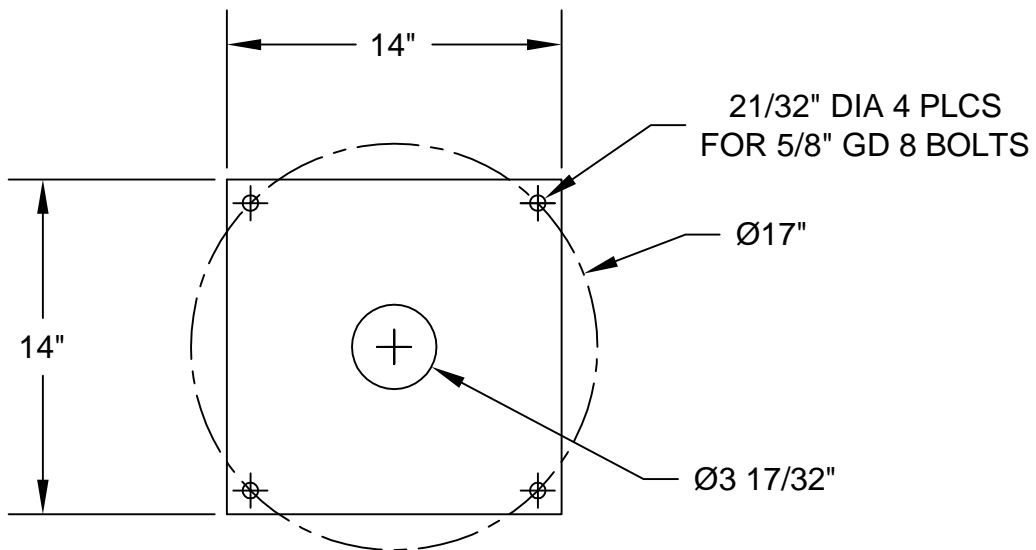
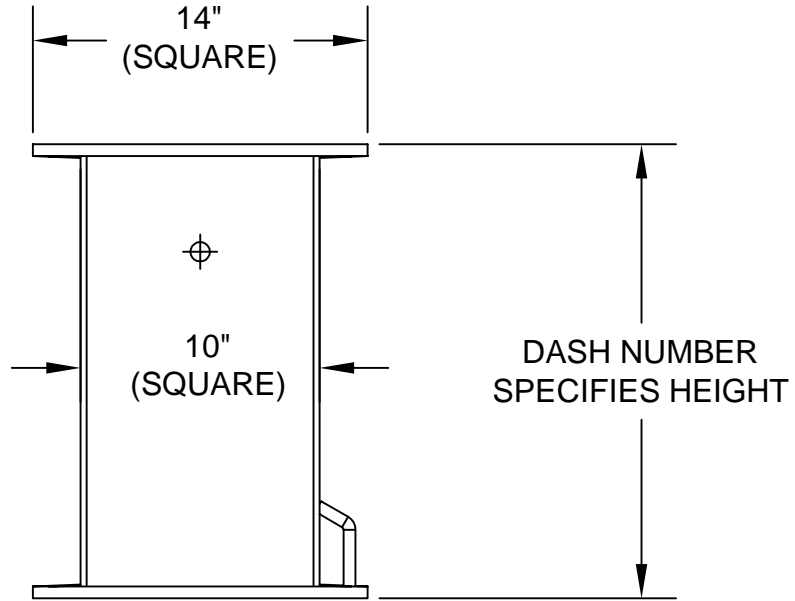
SECTION
C100

SUPERSEDES
12-20-13B

ET6/8/12K(X)

16941

21571-XX MOUNTING PEDESTAL

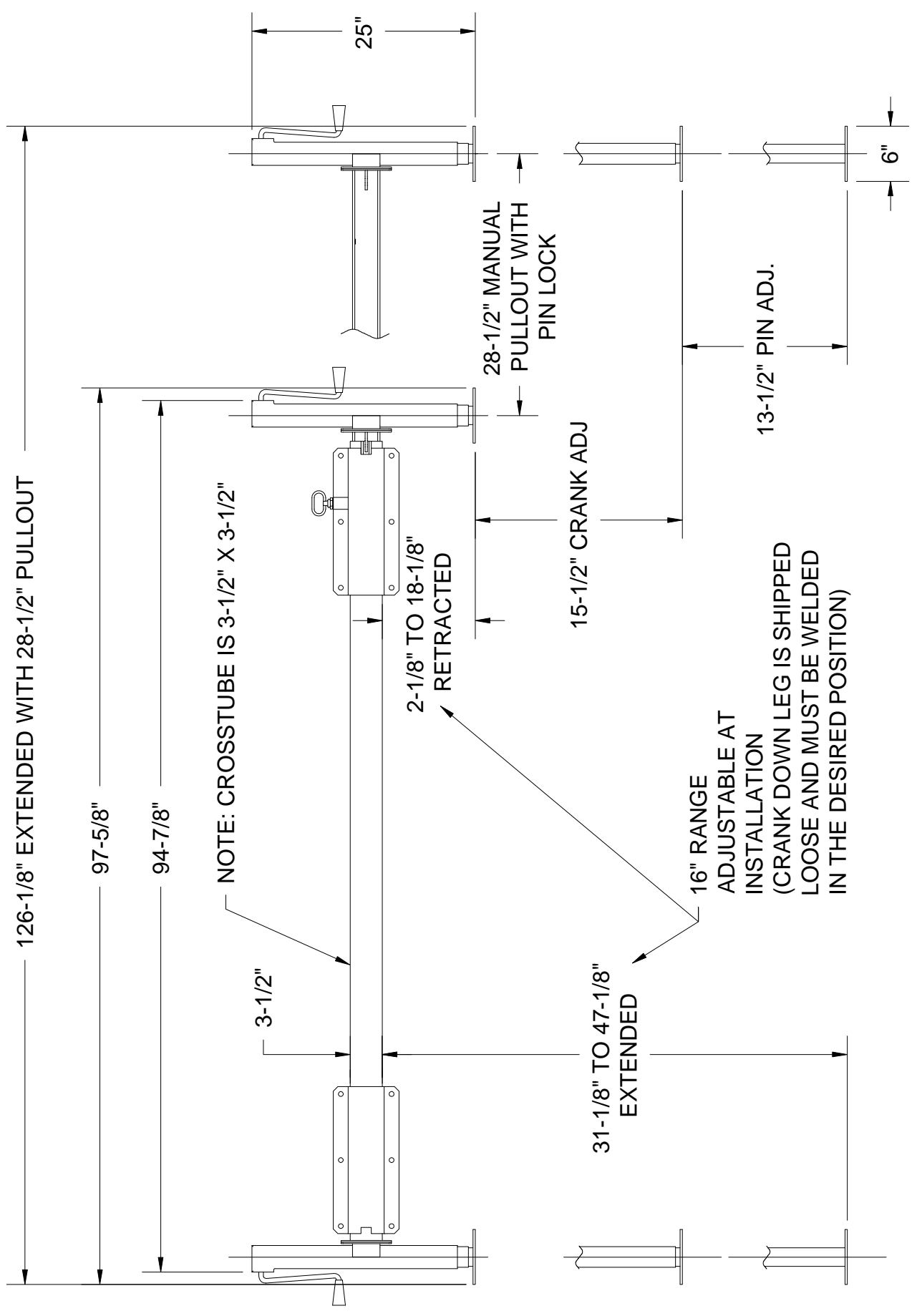


VENCO VENTURO INDUSTRIES LLC
CINCINNATI, OHIO

TITLE	21571 MNTNG PEDESTAL
	ET8/12K(X) CRANES ▲

DATE	11-20-14C
SUPERSEDES	12-20-13B

SECTION	C100
	21594



126-1/8" EXTENDED WITH 28-1/2" PULLOUT

97-5/8"

94-7/8"

NOTE: CROSSTUBE IS 3-1/2" X 3-1/2"

3-1/2"

2-1/8" TO 18-1/8"

RETRACTED

28-1/2" MANUAL PULLOUT WITH PIN LOCK

25"

15-1/2" CRANK ADJ

31-1/8" TO 47-1/8" EXTENDED

16" RANGE ADJUSTABLE AT INSTALLATION (CRANK DOWN LEG IS SHIPPED LOOSE AND MUST BE WELDED IN THE DESIRED POSITION)

13-1/2" PIN ADJ.

6"



MANUFACTURING, INC.
CINCINNATI, OHIO

TITLE
INSTALLATION DRAWING

18500-CD STABILIZER

DATE

12-20-13B

SUPERSEDES

01-13-05A

SECTION

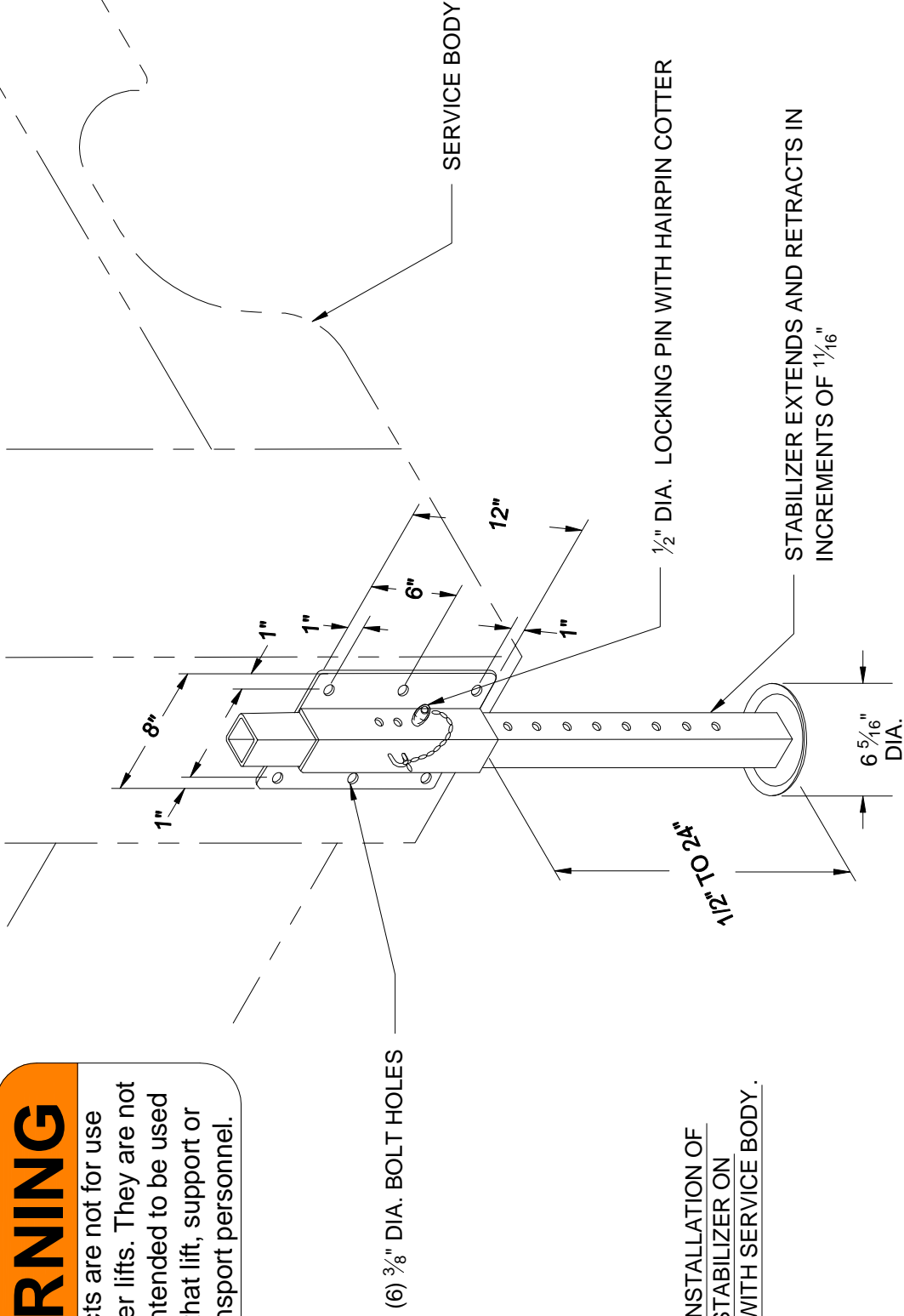
C100

22686

13500 STABILIZER

! WARNING

- These products are not for use with passenger lifts. They are not designed or intended to be used with devices that lift, support or otherwise transport personnel.



TYPICAL INSTALLATION OF
MANUAL STABILIZER ON
VEHICLE WITH SERVICE BODY.



MANUFACTURING, INC.
CINCINNATI, OHIO

TITLE
INSTALLATION DRAWING

ET6/8/12K(X)

DATE
12-20-13F
SUPERSEDES
10-02-12E

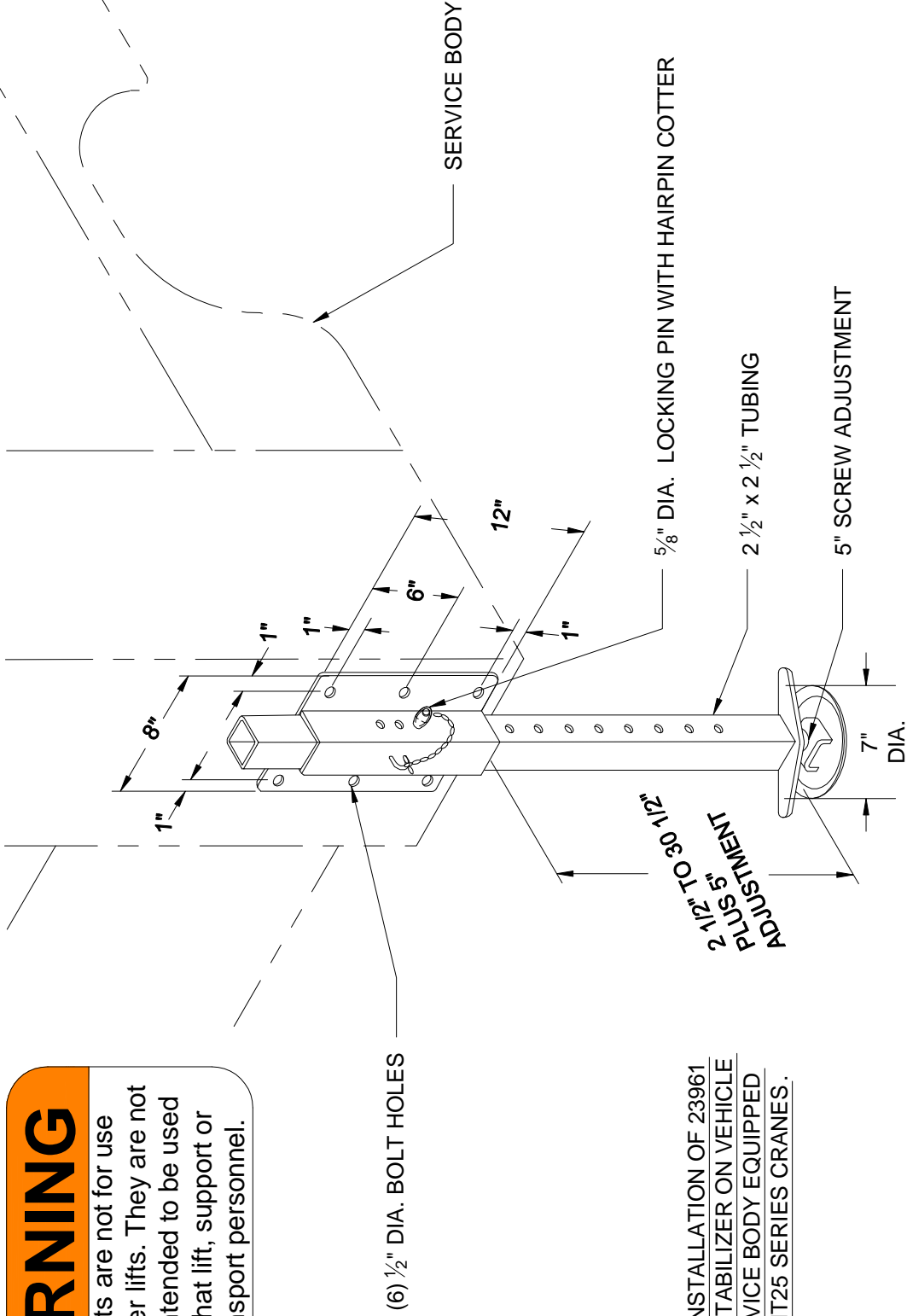
SECTION
C100

13509

23961 STABILIZER

! WARNING

- These products are not for use with passenger lifts. They are not designed or intended to be used with devices that lift, support or otherwise transport personnel.

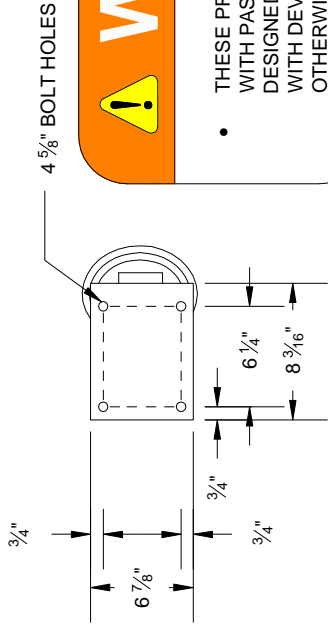


TYPICAL INSTALLATION OF 23961
 MANUAL STABILIZER ON VEHICLE
 WITH SERVICE BODY EQUIPPED
 WITH ET/HT25 SERIES CRANES.

 VENTURO [®] MANUFACTURING, INC. CINCINNATI, OHIO	TITLE	INSTALLATION DRAWING	SECTION	C100
		ET6/8/10/12/25K(X), HT25KX	DATE	12-20-13H
			SUPERSEDES	04-25-12G
				123961

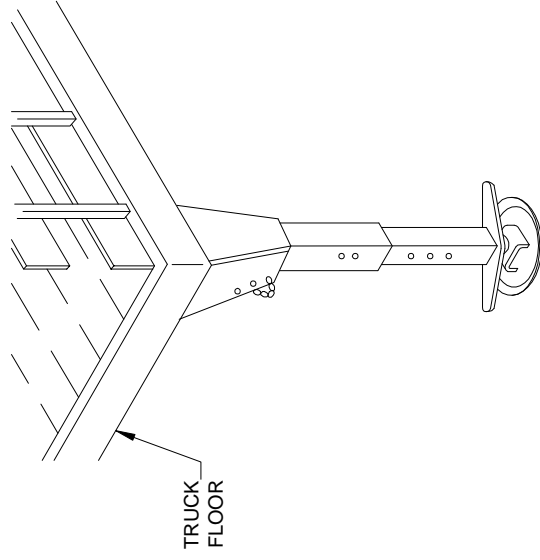
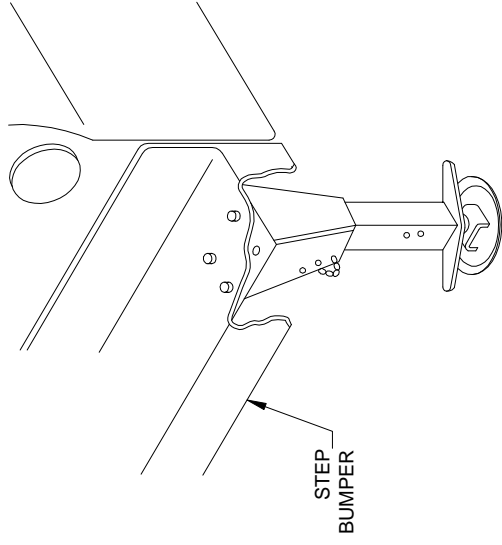
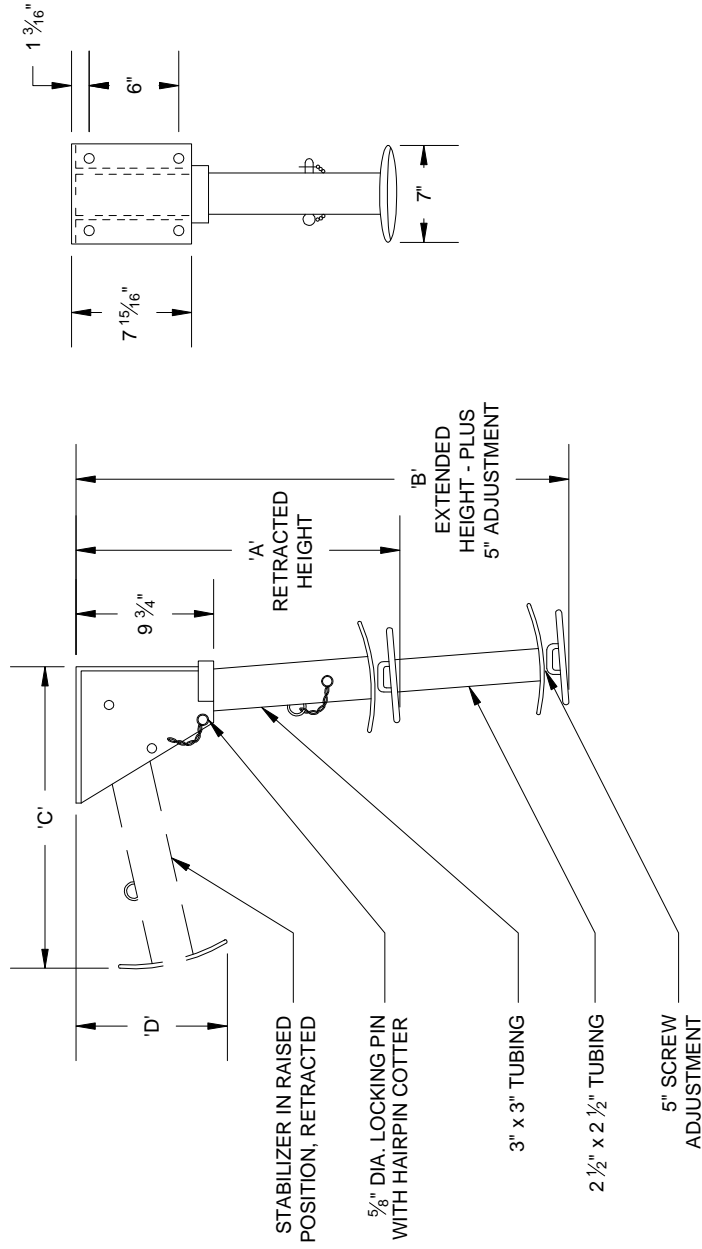
23960 STABILIZER SERIES, ET/HT25 SERIES CRANES

PART NO.	DESCRIPTION	'A'	'B'	'C'	'D'
23960-1	SHORT STABILIZER	20 1/2"	28 1/2"	21"	7 1/4"
23960-2	LONG STABILIZER	28 1/2"	44 1/2"	29"	10 1/2"



! **WARNING**

- THESE PRODUCTS ARE NOT FOR USE WITH PASSENGER LIFTS. THEY ARE NOT DESIGNED OR INTENDED TO BE USED WITH DEVICES THAT LIFT, SUPPORT OR OTHERWISE TRANSPORT PERSONNEL.



TITLE
INSTALLATION DRAWING
 ET6/8/10/12/25K(X), HT25KX

MANUFACTURING, INC.
 CINCINNATI, OHIO



DATE
 12-20-13H
 SUPERSEDES
 04-25-12G

SECTION
 C100

123960

SECTION 150

SAFETY

CRANE SAFETY AND HAZARDS

CAUTIONS

1. INSPECT VEHICLE AND CRANE, INCLUDING OPERATION, PRIOR TO USE DAILY.
2. DO NOT USE THIS EQUIPMENT EXCEPT ON FIRM LEVEL GROUND WITH CRANE MOUNTED ON FACTORY-RECOMMENDED TRUCK.
3. BEFORE OPERATING THE CRANE, REFER TO MAXIMUM LOAD (CAPACITY) CHART ON CRANE FOR OPERATING (LOAD) LIMITATIONS.
4. DO NOT OPERATE, WALK, OR STAND BENEATH BOOM OR A SUSPENDED LOAD.
5. ATTACH PENDANT CORD SUPPORT SNAP TO ATTACHMENT POINT BEFORE PLUGGING IN PENDANT, IF SO EQUIPPED.
6. UNPLUG PENDANT AND SHUT OFF MASTER DISCONNECT SWITCH WHEN CRANE IS NOT IN USE.
7. FOR TRAVEL, BOOM MUST BE IN STOWED POSITION.

DANGER

- THIS CRANE IS NOT A PASSENGER LIFT
- IT IS NOT DESIGNED OR INTENDED TO BE USED TO LIFT, SUPPORT, OR OTHERWISE TRANSPORT PERSONNEL.

YOU MUST NOT OPERATE THIS CRANE, UNLESS:

1. YOU HAVE BEEN TRAINED IN THE SAFE OPERATION OF THIS CRANE, AND
2. YOU KNOW AND FOLLOW THE SAFETY AND OPERATING RECOMMENDATIONS CONTAINED IN THE MANUFACTURER'S MANUALS, YOUR EMPLOYER'S WORK RULES, AND APPLICABLE GOVERNMENT REGULATIONS. AN UNTRAINED OPERATOR SUBJECTS HIMSELF AND OTHERS TO DEATH OR SERIOUS INJURY.

ELECTROCUTION HAZARD

- THIS MACHINE IS NOT INSULATED.
- MAINTAIN SAFE CLEARANCES FROM ELECTRICAL LINES AND APPARATUSES.
- YOU MUST ALLOW FOR BOOM SWAY, ROCK, OR SAG, AND ELECTRICAL LINE AND LOAD-LINE SWAYING
- THIS LIFTING DEVICE DOES NOT PROVIDE PROTECTION FROM CONTACT WITH OR PROXIMITY TO AN ELECTRICALLY CHARGED CONDUCTOR.
- YOU MUST MAINTAIN A CLEARANCE OF AT LEAST 10 FEET BETWEEN ANY PART OF THE CRANE, LOAD-LINE, OR LOAD, AND ANY ELECTRICAL LINE OR APPARATUS CARRYING UP TO 50,000 VOLTS. REFER TO DRAWING 15394 FOR ADDITIONAL INFORMATION.
- **DEATH OR SERIOUS INJURY** WILL RESULT FROM CONTACT OR INADEQUATE CLEARANCES.

OVERLOAD SENSING SYSTEM - STANDARD ON ALL CRANES

1. IF OVERLOADED, THE WINCH UP, BOOM DOWN, AND (OPTIONAL) BOOM OUT FUNCTIONS WILL AUTOMATICALLY, SHUT OFF TO PREVENT INCREASED OVERLOAD.
2. ON CRANES EQUIPPED WITH AN OPTIONAL OVERLOAD ALARM, IT WILL ALSO SOUND.
3. IF AN OVERLOAD OCCURS, USE THE WINCH DOWN, BOOM UP OR BOOM IN FUNCTIONS TO RELIEVE THE OVERLOAD.
4. THE OVERLOAD SENSING SYSTEM IS INOPERATIVE IF THE BOOM ELEVATION IS AT THE BOTTOM OR TOP LIMIT OF TRAVEL. TO RELIEVE THIS CONDITION, RAISE OR LOWER THE BOOM SLIGHTLY BEFORE LIFTING THE LOAD.
5. SEE MANUAL FOR TESTING THE OVERLOAD SYSTEM.

NOTICE - WARRANTY VOID IF DISCONNECTED

THE OVERLOAD SENSING SYSTEM HAS BEEN INSTALLED AS A SAFETY FEATURE TO PROTECT THE EQUIPMENT AND THE OPERATOR.

DO NOT DISCONNECT THIS SYSTEM



VENCO VENTURO INDUSTRIES LLC
CINCINNATI, OHIO

TITLE

SAFETY & HAZARDS

DATE

01-29-15K

SECTION

C150

ELECTRIC CRANES

SUPERSEDES

12-20-13J

850711

CRANE SAFETY AND HAZARDS - CONT'D

OVERLOAD ALARM SYSTEM - OPTIONAL

1. OVERLOAD ALARM HORN SOUNDS IF RATED LOAD IS EXCEEDED AT ANY REACH.
2. IF ALARM SOUNDS, RAISE BOOM OR LOWER WINCH TO REMOVE OVERLOAD.
3. ALWAYS RAISE BOOM SLIGHTLY BEFORE LIFTING LOAD. WARNING SYSTEM INOPERATIVE WHEN CYLINDER IS COMPLETED BOTTOMED.
4. ALARM CAN BE TESTED BY TYING DOWN BOOM WITH WINCH CABLE AND OPERATING BOOM UP OR BY RAISING BOOM AGAINST UP LIMIT STOP.

NOTICE - WARRANTY VOID IF DISCONNECTED

THIS ALARM SYSTEM HAS BEEN INSTALLED AS A SAFETY FEATURE TO PROTECT BOTH THE EQUIPMENT AND THE OPERATOR.

DO NOT DISCONNECT THIS SYSTEM

INTENTIONALLY LEFT BLANK



VENCO VENTURO INDUSTRIES LLC
CINCINNATI, OHIO

TITLE

SAFETY & HZRDS, CONT.

DATE

01-29-15

SECTION

C150

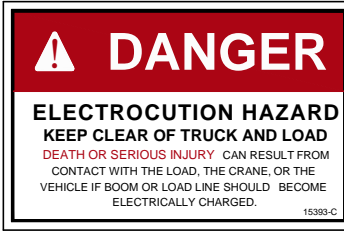
ELECTRIC CRANES

SUPERSEDES

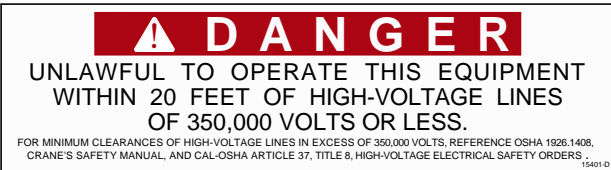
-

850712

VEHICLE & CRANE MOUNTED ELECTRICAL HAZARD SIGN APPLICATION & INFORMATION



SIGN NO. 15393 DISPLAYS THE INTERNATIONAL SYMBOL FOR ELECTRICITY AND WARNS OF DANGER FROM AN ELECTRICALLY CHARGED VEHICLE, CRANE, OR LOAD. FOUR ARE RECOMMENDED (ONE FOR EACH SIDE AND ONE FOR EACH END OF VEHICLE) TO BE APPLIED IN LOCATIONS WHICH ARE READILY VISIBLE TO GROUND PERSONNEL.



SIGN NO. 15401 PROVIDES ADDITIONAL WARNING OF LEGAL REQUIREMENTS WHEN OPERATING NEAR HIGH VOLTAGE LINES. THIS SIGN IS PLACED ON THE CONTROL PENDANT SIDE OF BOOM.

Table A - Minimum Clearance Distances

Voltage (nominal, kV, alternating current)	Minimum clearance distance (feet) *
Up to 50.....	10
over 50 - 200.....	15
over 200 - 350.....	20
over 350 - 500.....	25
over 500 - 750.....	35
over 750 - 1000.....	45
Over 1000.....	(as established by the utility owner/operator or registered professional engineer who is a qualified person with respect to electrical power transmission and distribution).

Table T - Minimum Clearance Distances While Traveling With No Load

Voltage (nominal, kV, alternating current)	While traveling - minimum clearance distance (feet) *
0 - 0.75.....	4
over 0.75 - 50.....	6
over 50 - 345.....	10
over 345 - 750.....	16
over 750 - 1000.....	20
Over 1000.....	(as established by the utility owner/operator or registered professional engineer who is a qualified person with respect to electrical power transmission and distribution).

* NOTE: ENVIRONMENTAL CONDITIONS SUCH AS FOG, SMOKE, OR PRECIPITATION MAY REQUIRE INCREASED CLEARANCES



VENCO VENTURO INDUSTRIES LLC
CINCINNATI, OHIO

TITLE	DATE	SECTION
HAZARD APPS & INFO	02-21-14M	C150
ET/HT CRANES	SUPERSEDES 12-20-13L	15394

PART NO.: 15390

DECAL: CAUTION - INSPECT VEHICLE & CRANE

FUNCTION: To inform the operator of key operating requirements.

QUANTITY: 1

PLACEMENT: Rear cover.



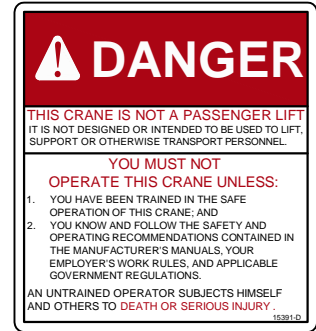
PART NO.: 15391

DECAL: DANGER - NOT PASSENGER LIFT

FUNCTION: To inform the operator not to lift, support or transport personnel, and to ensure that crane operator is adequately trained.

QUANTITY: 1

PLACEMENT: Rear cover.



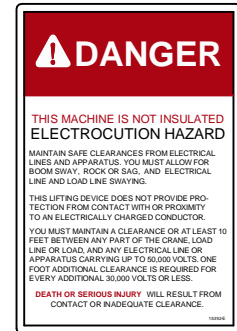
PART NO.: 15392

DECAL: DANGER - ELECTROCUTION HAZARD

FUNCTION: To inform the operator that the machine (crane) represents an electrocution hazard should it come close to or in contact with electrical voltage source.

QUANTITY: 1

PLACEMENT: Rear cover.



PART NO.: 15401

DECAL: UNLAWFUL TO OPERATE

FUNCTION: To inform the operator of proper operation in vicinity of power lines.

QUANTITY: 1

PLACEMENT: Right side of housing.



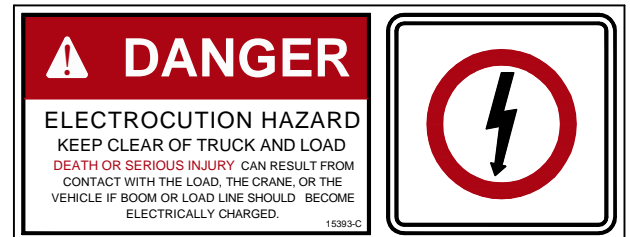
PART NO.: 15393A

DECAL: DANGER - ELECTROCUTION HAZARD

FUNCTION: Warns of danger from electrically charged vehicle, crane or lead.

QUANTITY: 4

PLACEMENT: One on each side and each end of vehicle.



MANUFACTURING, INC.
CINCINNATI, OHIO

TITLE
SAFETY DECALS

CRANES

DATE
04-02-13C

SUPERSEDES
08-10-09B

SECTION
C150

21353

PART NO.: 14473-2

DECAL: GREASE

FUNCTION: To show the operator where to apply grease.

QUANTITY: Varies

PLACEMENT: Near grease fittings.



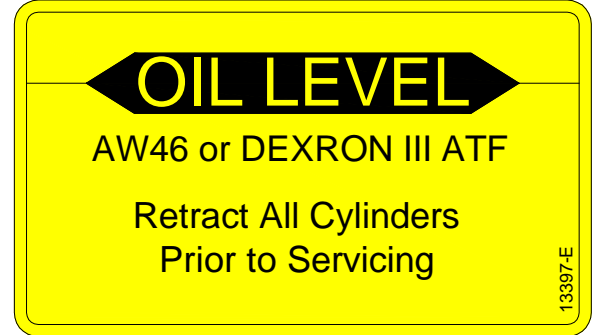
PART NO.: 13397

DECAL: OIL LEVEL

FUNCTION: To inform the operator of proper oil level to maintain.

QUANTITY: 1

PLACEMENT: Side of hydraulic power unit.



PART NO.: 15398

DECAL: UNPLUG REMOTE CONTROL

FUNCTION: To inform the operator to unplug remote control when not in use.

QUANTITY: 1

PLACEMENT: Near pendant socket.



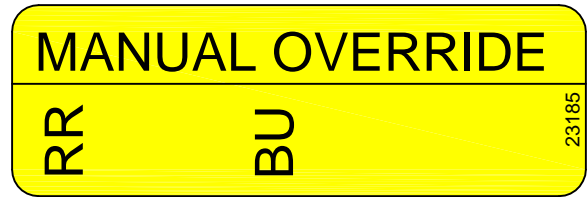
MANUFACTURING, INC.
CINCINNATI, OHIO

TITLE
DECALS
ET CRANES

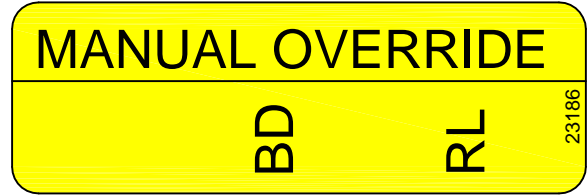
DATE
12-23-13D
SUPERSEDES
04-19-13C

SECTION
C150
21354

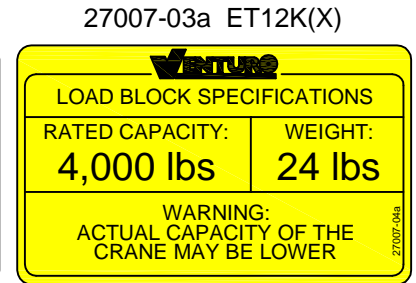
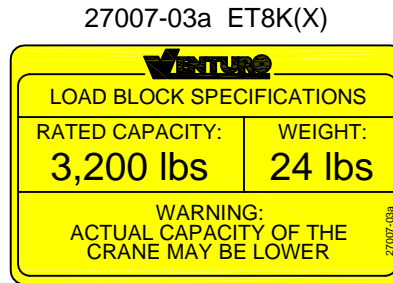
PART NO.: 23185
 DECAL: MANUAL OVERRIDE DECAL (ET8/12K)
 FUNCTION: To show the manual override ports.
 QUANTITY: 1
 PLACEMENT: Right side of housing.



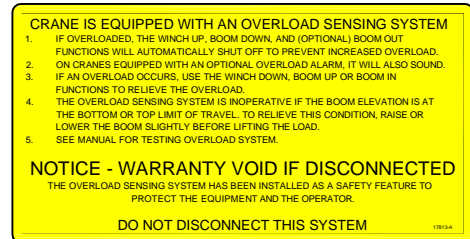
PART NO.: 23186
 DECAL: MANUAL OVERRIDE DECAL (ET8/12K)
 FUNCTION: To show the manual override ports.
 QUANTITY: 1
 PLACEMENT: Left side of housing.



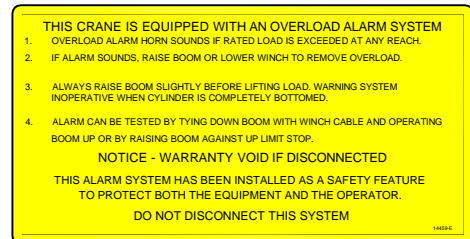
▲
 PART NO.: 27007-03a (ET8) / 27007-04a (ET12)
 DECAL: LOAD BLOCK CAPACITY DECAL
 FUNCTION: To show the capacity of load block.
 QUANTITY: 2
 PLACEMENT: Each side of load block.



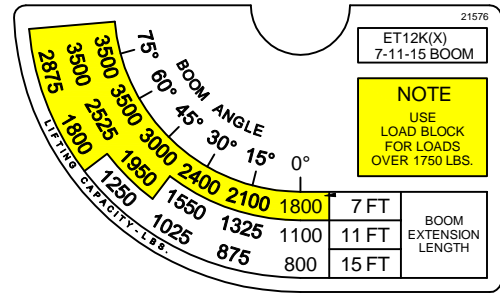
PART NO.: 17813
 DECAL: OVERLOAD SENSING SYSTEM DECAL
 FUNCTION: To advise operator of overload sensing system.
 QUANTITY: 1
 PLACEMENT: Right side of housing.



PART NO.: 14459 (WITH OPTIONAL ALARM)
 DECAL: OVERLOAD ALARM SYSTEM DECAL
 FUNCTION: To advise operator of overload alarm system.
 QUANTITY: 1
 PLACEMENT: Right side of housing.



PART NO.: 21576 & 21577 (OPPOSITE)
 DECAL: CRANE CAPACITY
 FUNCTION: To show the operator the operating capacities of crane.
 QUANTITY: 1 each
 PLACEMENT: One on each side of boom.



PART NO.: 21579
 DECAL: MODEL NUMBER (ET12K)
 FUNCTION: To show the model of the crane.
 QUANTITY: 2
 PLACEMENT: One on each side of boom.



PART NO.: 21578
 DECAL: MODEL NUMBER (ET12KX)
 FUNCTION: To show the model of the crane.
 QUANTITY: 2
 PLACEMENT: One on each side of boom.



PART NO.: 23188
 DECAL: MANUAL OVERRIDE RIGHT (ET8/12KX)
 FUNCTION: To show the manual override ports.
 QUANTITY: 1
 PLACEMENT: Right side of housing.



PART NO.: 23184
 DECAL: MANUAL OVERRIDE LEFT (ET8/12KX)
 FUNCTION: To show the manual override ports.
 QUANTITY: 1
 PLACEMENT: Left side of housing.



MANUFACTURING, INC.
CINCINNATI, OHIO

TITLE
MODEL/CAPCTY DECALS
ET12K(X)

DATE
04-19-13B
SUPERSEDES
05-07-08A

SECTION
C150
21595

SECTION 200

INSTALLATION



!! IMPORTANT !!

ADEQUATE WIRING IMPERATIVE FOR PROPER OPERATION

1. PROPER GROUND PATH - SEE DWG 15660
2. CURRENT DRAW IS SEVERAL HUNDRED AMPERES - ADEQUATE WIRE SIZE AND BATTERY CAPACITY IS ABSOLUTELY ESSENTIAL (SEE CHART BELOW).

MINIMUM WIRE GAUGE AND BATTERY SIZE

MODEL	TOTAL LENGTH OF CABLE (FT) *								12 VOLT BATTERY REQUIREMENTS	
	0-20	21-25	26-30	31-40	41-50	51-60	61-70	71-80	CCA (A) **	RC (MIN) ***
CE6K CT2000 CT2003/4/5 DT7K	#4	#4	#2	#2	#1	#0	#0	#00	350	100
ET5500MPB ET5500R ET6KMPB ET6KR ET6K ET8K ET10K ET12K	#2	#2	#1	#0	#00	NOT RECOMMENDED			450	100
▲ ET8KX ET10KX ET12KX	#2	#2	#1	#0	#00	NOT RECOMMENDED			550	150
ET18K(X) ET25K(X) ET30KX ET36KX	SEE DRAWING 19947 FOR CABLE AND BATTERY REQUIREMENTS									

* INCLUDES GROUND CABLE

** CCA = COLD CRANKING AMPS AT 0° (F).

*** RC = RESERVE CAPACITY IN MINUTES AT 25 AMPS AND 80° (F).
THE RC RATING IS A MEASURE OF THE PERIOD OF TIME THE BATTERY CAN SUPPLY A GIVEN CURRENT WITHOUT RECHARGING.



VENCO VENTURO INDUSTRIES LLC
CINCINNATI, OHIO

TITLE
CABLE & BATTERY

DATE
01-27-15U

SECTION
C200

ELECTRIC CRANES

SUPERSEDES
12-23-13T

711105

RECOMMENDED CIRCUIT BREAKER TABLE

CRANE	DESCRIPTION	PART NO.
CT310KX	250 AMP, MAN RESET	22946-250
DT7	250 AMP, MAN RESET	22946-250
CE-1500-FB	150 AMP, MAN RESET	22946-150
CE6K	150 AMP, MAN RESET	22946-150
CT200X	250 AMP, MAN RESET	22946-250
ET6K	250 AMP, MAN RESET	22946-250
ET8/12K(X)	250 AMP, MAN RESET	22946-250
ET16/18KX	250 AMP, MAN RESET	22946-250
ET25/30KX	300 AMP, AUTO RESET	22946-300
ET36KX	300 AMP, AUTO RESET	22946-300

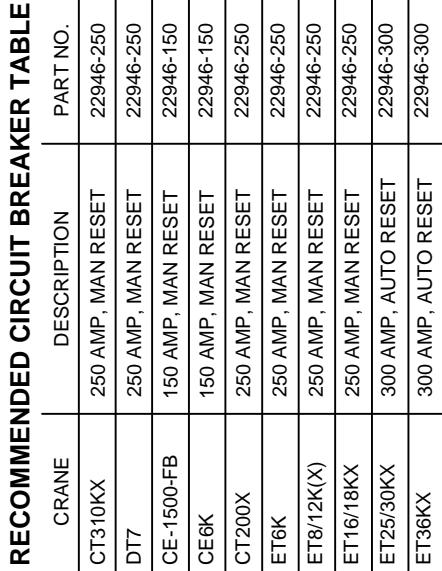
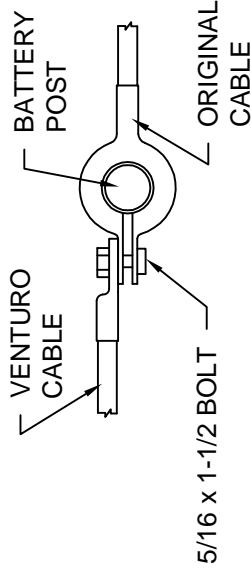
BATTERY REQUIREMENTS

- 12 VOLT VEHICLE BATTERY REQUIREMENTS
- 625 COLD CRANKING AMPS (AT 0° F)
- 160 MINUTES RESERVE CAPACITY
- 102 PLATES, 105 AMP-HR

- 12 VOLT AUXILIARY BATTERY REQUIREMENTS
- 450 COLD CRANKING AMPS (AT 0° F)
- 100 MINUTES RESERVE CAPACITY
- 78 PLATES, 70 AMP-HR

NOTE: OPERATING WITH THE VEHICLE BATTERY 'ONLY' IS PERMISSIBLE, BUT NOT RECOMMENDED.

RECOMMENDED BATTERY TERMINAL ATTACHMENT



INSTALL #2 GAUGE GROUND STRAP FROM ENGINE TO TRUCK FRAME (REQUIRED IF NEGATIVE FROM BATTERY IS CONNECTED TO ENGINE)

MASTER DISCONNECT SWITCH (INCLUDED) (LOCATE FOR OPTIMUM OPERATOR ACCESS AS CLOSE TO THE CRANE AS PRACTICAL)

#2 GAUGE X 26' BATTERY CABLE (INCLUDED)

RECOMMENDED OPTION: CIRCUIT BREAKER OR FUSE; LOCATE CLOSE TO TRUCK BATTERY (SEE CHART AMP RATING)



VENCO VENTURO INDUSTRIES LLC
CINCINNATI, OHIO

TITLE
BATTERY CABLE & COMPONENT INSTALL

DATE
07-31-15K

SECTION
C200

ET CRANES

SUPPERSEDES
10-17-14J

15660

STABILITY TESTING - ET12K(X)

Overview

Venturo follows the guidelines of ANSI B30.5 in defining stability. Generally speaking, a truck is considered stable as long as it is not on the verge of tipping - i.e. with the truck level, at least one tire on each corner of the truck must remain in contact with the ground.

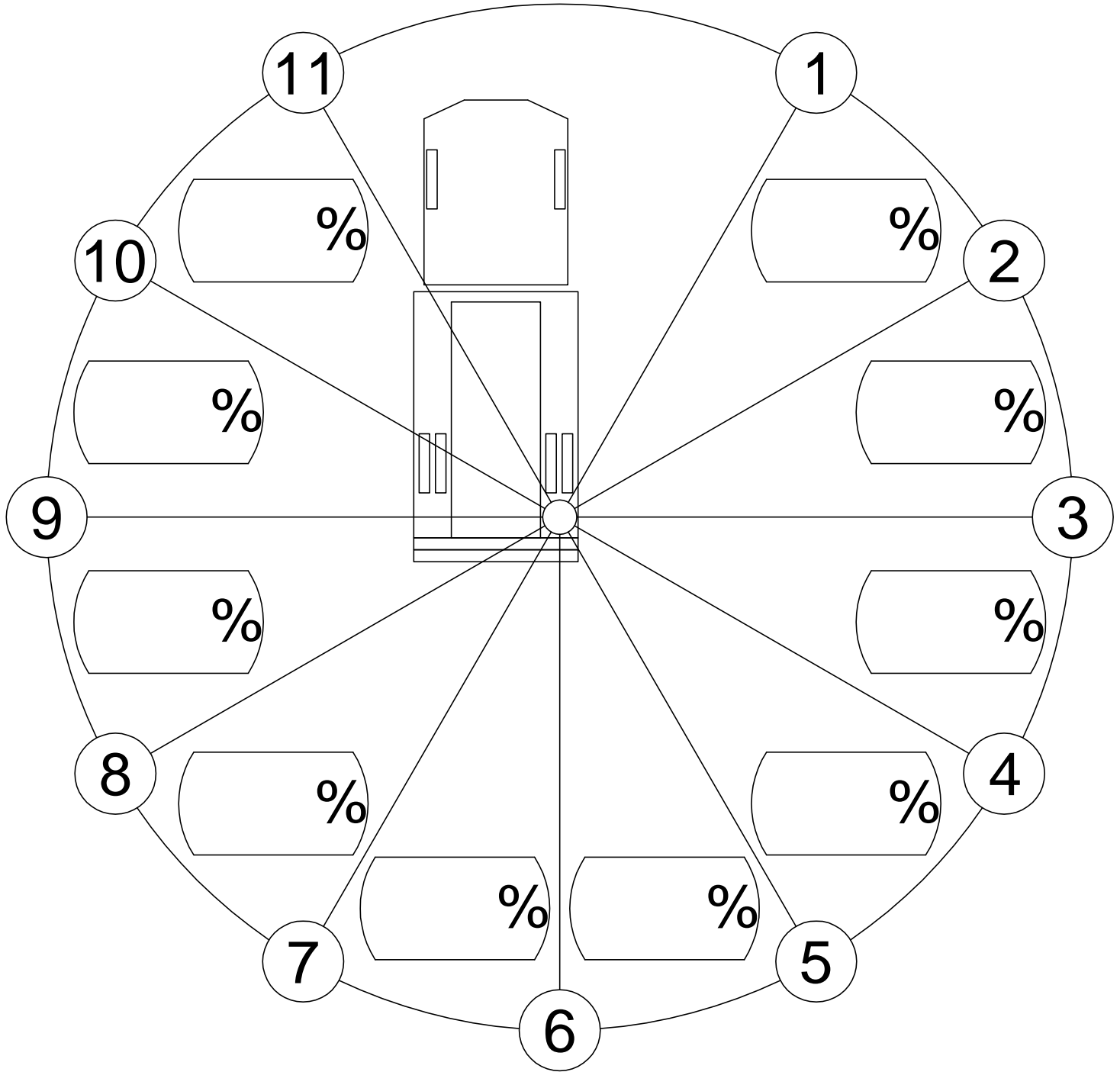
It is important to note that nearly every installation is unique and will, therefore, typically require stability testing.

The procedure outlined below follows ANSI's (B30.5 - 5-1.1.1) specified "maximum load rating" of 85 %.

Testing Procedure

1. Locate the truck on level ground and set the parking brake.
2. Deploy outriggers, making sure they are firmly in contact with supportive ground; use outrigger pads as required. The tires of the truck should remain in full contact with the ground.
3. Inspect the wire rope and other key components of crane (consult owners manual for more information).
4. Conduct an operational check of all crane functions.
5. Use a test weight of 920 lbs in conjunction with the ET12K(X)'s snatch block (weight = 23 lb).
6. Do NOT allow the weight to be more than 6 inches from the ground at any time during testing - this insures that if the truck does become unstable and tip, it will not tip far.
7. Rotate the crane to a position between 1 and 2 o'clock (the truck cab is facing 12 o'clock).
8. Be sure that the boom is horizontal (0° elevation) with the hydraulic section fully retracted and the manual section fully extended; the boom should begin at a length of 11 feet. Note: On the ET12K, testing will be more difficult, because it will require an iterative ("trial and error") approach; please call technical support for more information.
9. Use the winch to lift the test weight, keeping it within 6 inches of the ground.
10. Extend the boom slowly until the boom reaches full extension (180 inches) or until the truck becomes unstable. As you extend, use the winch to keep the weight within 6 inches of the ground.
 - a. If the boom reaches full extension, the % of Rated Capacity is 100% for the tested region.
 - b. If, however, the truck becomes unstable (both tires leave the ground) prior to full extension, record (in inches) the horizontal distance from the center of rotation to the wire rope at this point (e.g. 160 inches). This is the Maximum Stable Reach. Determine the % of Rated Capacity using the following formula:
$$\% \text{ Rated Capacity} = \frac{\text{"Max. Stable Reach" in inches}}{180} \times 100$$
11. Record the % of Rated Capacity in the appropriate blank on the Crane Stability chart and/or decal.
12. Repeat Steps 7-11 for each of the remaining regions (2-3 o'clock, 3-4 o'clock, etc.).

CRANE STABILITY



% of Rated Capacity for each of the 10 regions are provided above.

CONDITIONS:

- STABILIZERS FULLY EXTENDED & DOWN, ON FIRM LEVEL GROUND.



VENCO VENTURO INDUSTRIES LLC
CINCINNATI, OHIO

TITLE
STABILITY CHART
VENTURO CRANES

DATE
02-21-14E
SUPERSEDES
12-26-13D

SECTION
C200
20907

WIRE ROPE INSTALLATION

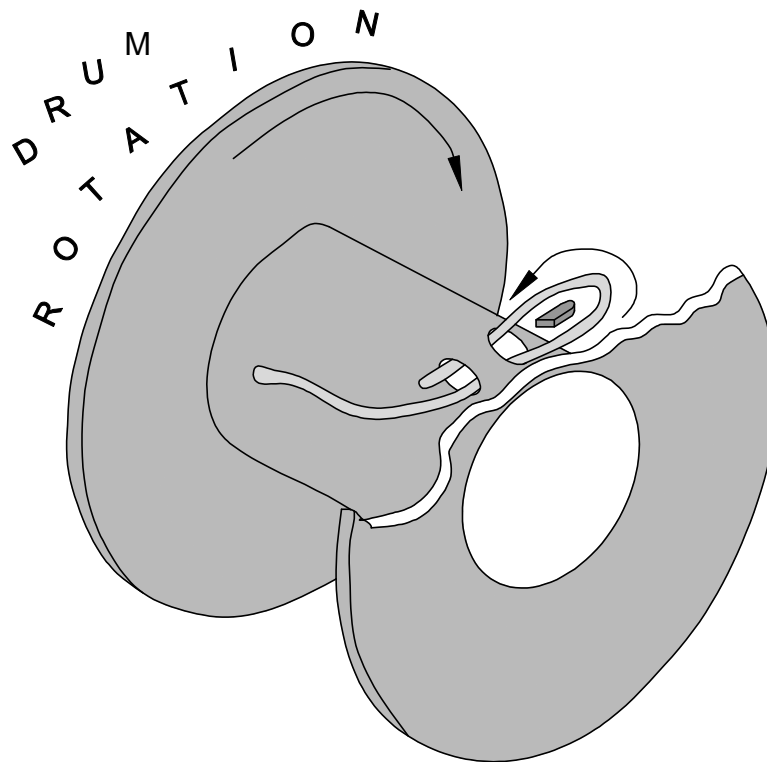


FIG. 1

- STEP 1: UNWIND COIL OF WIRE ROPE BY 'ROLLING' ALONG THE FLOOR. THIS WILL PREVENT 'KINKING'.
- STEP 2: INSERT WIRE ROPE END UP THROUGH ANTI-2-BLOCK (A2B) CAGE ASSEMBLY, BETWEEN CHEEK PLATES, OVER THE TOP SHEAVE, AND THROUGH WIRE ROPE GUIDE.
- STEP 3: INSERT WIRE ROPE END INTO POCKET OPENING ON WINCH, WRAP AROUND WEDGE, AND BACK THROUGH POCKET OPENING AS SHOWN IN FIGURE 1.



CAUTION

- IF THE WIRE ROPE IS NOT INSTALLED FOR THE CORRECT DRUM ROTATION, THE WINCH BRAKE VALVE WILL NOT HOLD THE LOAD.



CAUTION

- THERE MUST ALWAYS BE AT LEAST [5] DEAD WRAPS OF WIRE ROPE ON THE WINCH DRUM WHILE UNDER LOAD.

NOTE: SOME WINCHES MAY BE SUPPLIED WITH A HEX NUT IN LIEU OF A WEDGE FOR INSTALLING THE WIRE ROPE.



VENCO VENTURO INDUSTRIES LLC
CINCINNATI, OHIO

TITLE

WIRE ROPE INSTALLTN

DATE

02-21-14K

SECTION

C200

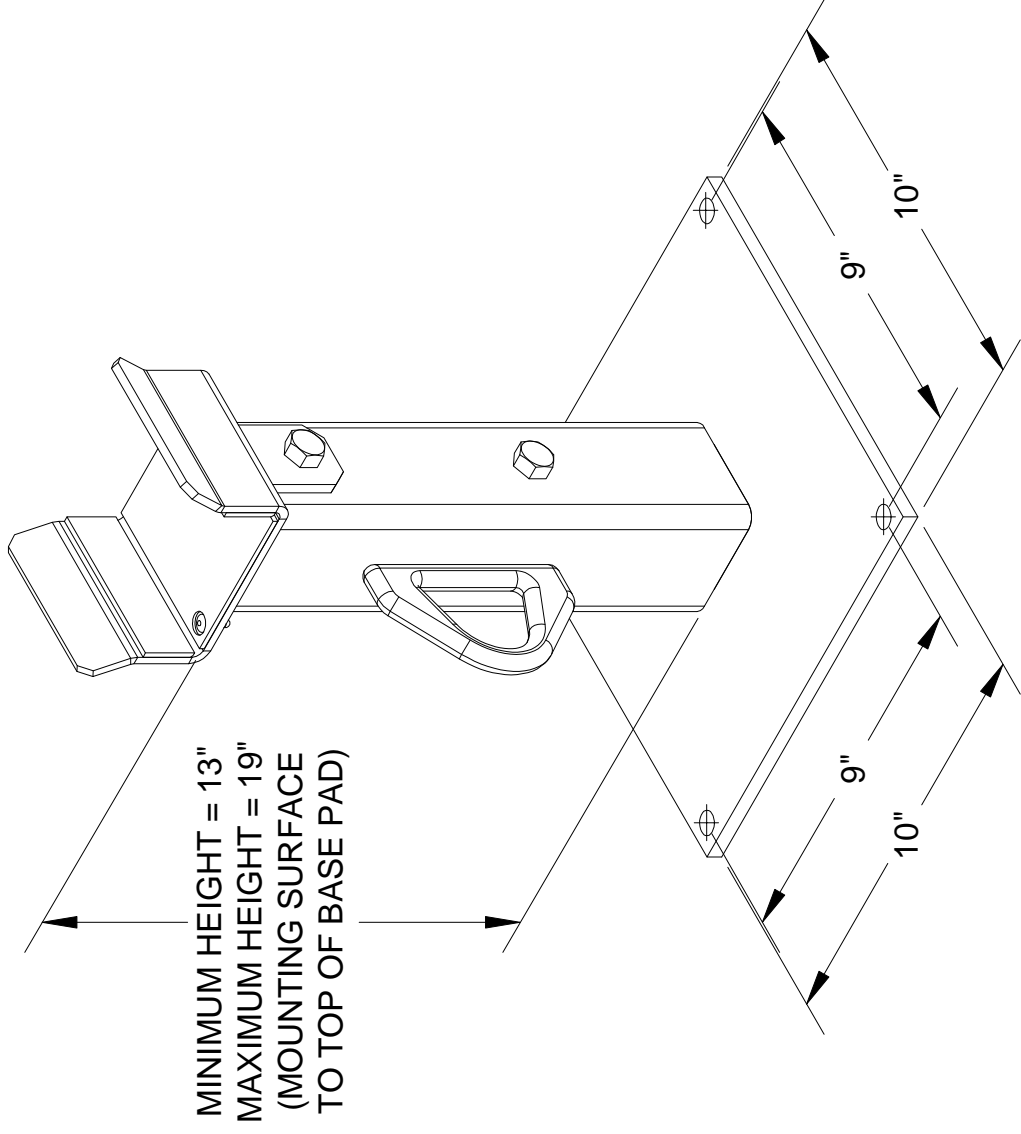
ET6K & LARGER CRANES

SUPERSEDES

12-26-13J

22245

21440 ADJUSTABLE BOOM REST



TITLE	INSTALLATION DRAWING	DATE	12-26-13A	SECTION	C200
	ET6/8/12K(X)	SUPERSEDES	03-06-07		
MANUFACTURING, INC. CINCINNATI, OHIO		20872			



SECTION 300

MAINTENANCE

&

SERVICE



CRANE OPERATION AND MAINTENANCE INSTRUCTIONS

SAFETY

Before operating this crane, read and understand these instructions, the 850711 Crane Safety and Hazards Information Sheet, and review all safety and instruction labels on the crane.

CRANE INSPECTION

Before operating this crane, inspect for wear, damage, and oil leakage. After the wire rope has been run out, check for wear, kinks, and broken strands. Check the hook and safety latch for damage. Correct problems before using the crane.

CAPACITY

Before operating this crane, review the capacity charts on the sides of the boom to relate the load to be lifted to the boom length and angle. The boom angle is indicated by a gravity arrow.

LOAD BLOCK

- ▲ If the load exceeds:
 - 1000 lbs. for the ET6K, or
 - 1600 lbs. for the ET8K(X) and ET10K(X), or
 - 1750 lbs. for the ET12K(X),or if reduced winching speed for better control of smaller loads is required, use the load block to rig the crane for two-part line operation. Refer to drawing 27423, 21701, 17450, or 21575, respectively.

CONTROLS

This crane is operated by a remote control pendant. The pendant should be unplugged and stored in a compartment or the cab when the crane is not in use.

Before plugging the pendant in, inspect the plug, socket, cord, oandant head, and switches for damage. Actuate all four [4] switches both directions to verify that they all have the same feel and sound, and that they return to the center position.

Plug the pendant into the socket on the right side of the crane and, if applicable, snap the strain relief tether to the crane housing.

Turn on the Master Disconnect Switch. Use "WINCH DOWN" to release tension on the wire rope and unhook it from the storage tie-down position.

Use "BOOM UP" to elevate the boom from the boom rest position.

Check all control functions to see that they are working correctly.



VENCO VENTURO INDUSTRIES LLC
CINCINNATI, OHIO

TITLE	DATE	SECTION
INSTALLATION DWG	01-15-15G	C200
ET6/8/10/12K(X)	SUPERSEDES 12-26-13F	900530A

CRANE OPERATION AND MAINTENANCE INSTRUCTIONS

CONTROL FUNCTIONS

WINCH UP and WINCH DOWN - Raises and lowers the load with the wire rope.

POWER EXTENSION - "Up" raises the boom elevation by operating the valves and the electric hydraulic power unit. "DOWN" operates a solenoid release valve mounted on the cylinder to lower the load and/or boom by gravity at a controlled rate. A check valve on the cylinder prevents the boom from coming down if a hose breaks. A flow control valve controls the lowering rate.

- ▲ POWER ROTATION - "L" and "R" control the direction of rotation. The ET6K, ET8K(X), ET10K(X) or ET12K(X) can be rotated continuously thru 360° or more. There are no restrictions on the number of rotations in any direction.

CONTROL PRIORITY SYSTEM - As a built in safety feature, the operator can perform only one major and one minor function at any one time. Major functions include rotation, winching up of a load, and elevating, extending, and retracting the boom. Minor functions include winching down and lowering the boom.

- a. "WINCH UP" has priority over "BOOM UP", "BOOM OUT", "BOOM IN", and "ROTATION."
- b. "BOOM UP" has priority over "BOOM OUT", "BOOM IN", and "ROTATION."
- c. "BOOM OUT" and "BOOM IN" have priority over "ROTATION."
- d. "BOOM DOWN" and "WINCH DOWN" can be operated with any function.

CRANE OPERATION

Avoid rapid reversal of the winch and rotation control switches. The high inrush current to the motors during reversal can reduce the life of the contactors, motor brushes, and commutators.

When operating "WINCH UP", "BOOM DOWN", or "BOOM OUT," always maintain clearance between the boom head and the load block or hook.

Do not lift or drag a load sideways using any of the crane functions. The boom has much lower bending strength sideways than in a vertical direction.



VENCO VENTURO INDUSTRIES LLC
CINCINNATI, OHIO

TITLE	DATE	SECTION
INSTALLATION DWG	01-15-15F	C200
ET6/8/10/12K(X)	SUPERSEDES 12-26-13E	900530B

CRANE OPERATION AND MAINTENANCE INSTRUCTIONS

OVERLOAD ALARM SYSTEMS (OPTIONAL)

This crane may be equipped with an optional overload alarm system.

1. Overload alarm horn sounds if rated load is exceeded at any reach.
2. If alarm sounds, RAISE boom or LOWER winch to remove overload.
3. Always RAISE boom slightly before lifting load - warning system INOPERATIVE when cylinder is completely bottomed.
4. Alarm can be tested by raising boom against up limit stop.

MANUAL TELESCOPIC BOOM


The 6' -14' and 7' - 15' booms have a 4' manual telescoping section in addition to the 4' power extension. A toggle pin locks the boom into either the extended or retracted position.

TRUCK SETUP & STABILIZERS

1. The truck should be parked on firm level ground when using the crane.
2. The center of the crane should be positioned close enough to the job so that it can be operated at a reach that puts the load within the rated capacity of the crane.
3. Set the vehicle parking brake and put the vehicle transmission in "park" (automatic transmission) or low gear (manual transmission), unless the engine is to be left running.
4. Deploy the stabilizers to stabilize the vehicle against rocking or overturning when lifting with the crane.

PREPARATION FOR TRAVEL

1. Return the stabilizers to the stowed position. Install and secure all pins.
2. Stow the crane boom in the boom support.
3. Hook the winch line to a tie down point on the body or pedestal and apply tension.
4. TURN OFF MASTER DISCONNECT SWITCH.
5. Unplug the control pendant and store in a body compartment or the cab.

 **WARNING**

- The pendant (or receiver) plug must be unplugged from the crane socket and the Master Disconnect Switch (power) turned "OFF" when the crane is not in use! Leaving the pendant (or receiver) connected and power on when not in use may result in dangerous, unintentional activation of the crane functions.

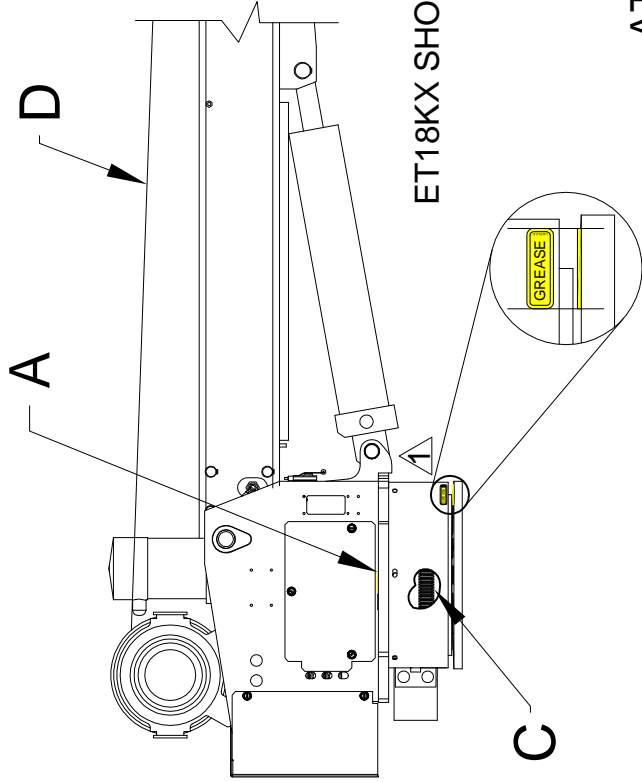


MANUFACTURING, INC.
CINCINNATI, OHIO

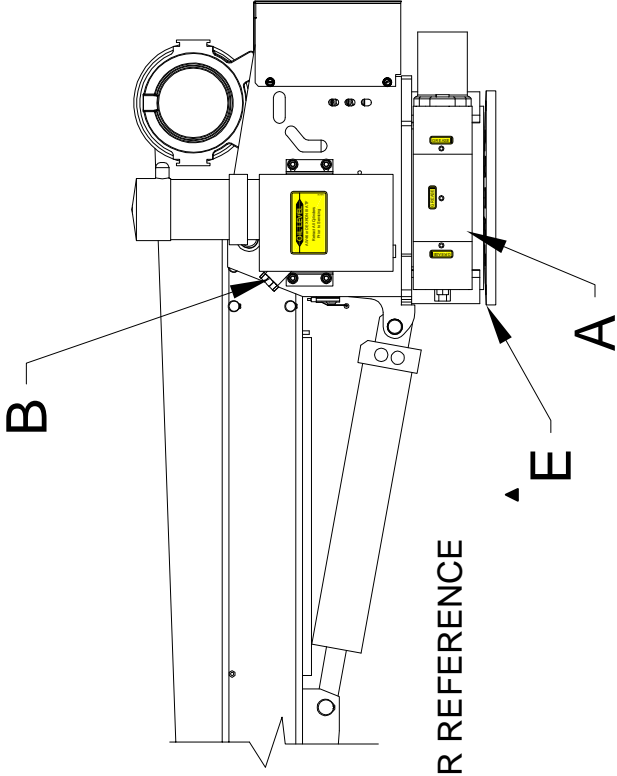
TITLE
INSTALLATION DWG
ET6/8/10/12K(X)

DATE
12-26-13E
SUPERSEDES
05-27-06D

SECTION
C200
900530C



ET18KX SHOWN FOR REFERENCE



ATTENTION:

NEVER WASH THIS CRANE WITH CHEMICAL PRODUCTS OR HIGH PRESSURE WATER JETS, AS THEY CAN CAUSE DETACHMENT OF DECALS OR ENTRANCE OF WATER INTO ELECTRICAL OR SLEWING RING COMPONENTS

Location	Service Required	Note	Service Interval
A	Grease fitting With Pressure Grease Gun	Use FUCHS Renolit Aluminum Complex Grease, or equivalent ▲ ALIGNMENT: To align hole w/ fitting, line up grease decals on lower cover and base gusset.	Time of Truck Service
B	Fill Oil Reservoir to Oil Level with Boom Down and Boom In.	Use Dextron ATF for Ambient Temperatures Between -22° F and 30° F Use ISO Viscosity Grade 68 or Equivalent for Ambient Temperatures Between 10°F and 125°F	Time of Truck Service and as required by changes in the ambient temperature range
C	Lubricate Gear Teeth	Remove Cover & Use Chassis Grease	Time of Truck Service
D	Check Wire Rope and Hook	Rope should be free of kinks and fraying	Time of Truck Service
E	Check Torque of bolts	Bolts should be torqued to 200 ft-lbs	Time of Truck Service



VENCO VENTURO INDUSTRIES LLC
CINCINNATI, OHIO

TITLE
LUBRICATION & MAINTENANCE CHART

DATE
11-18-14H
SUPERSEDES
10-22-14G

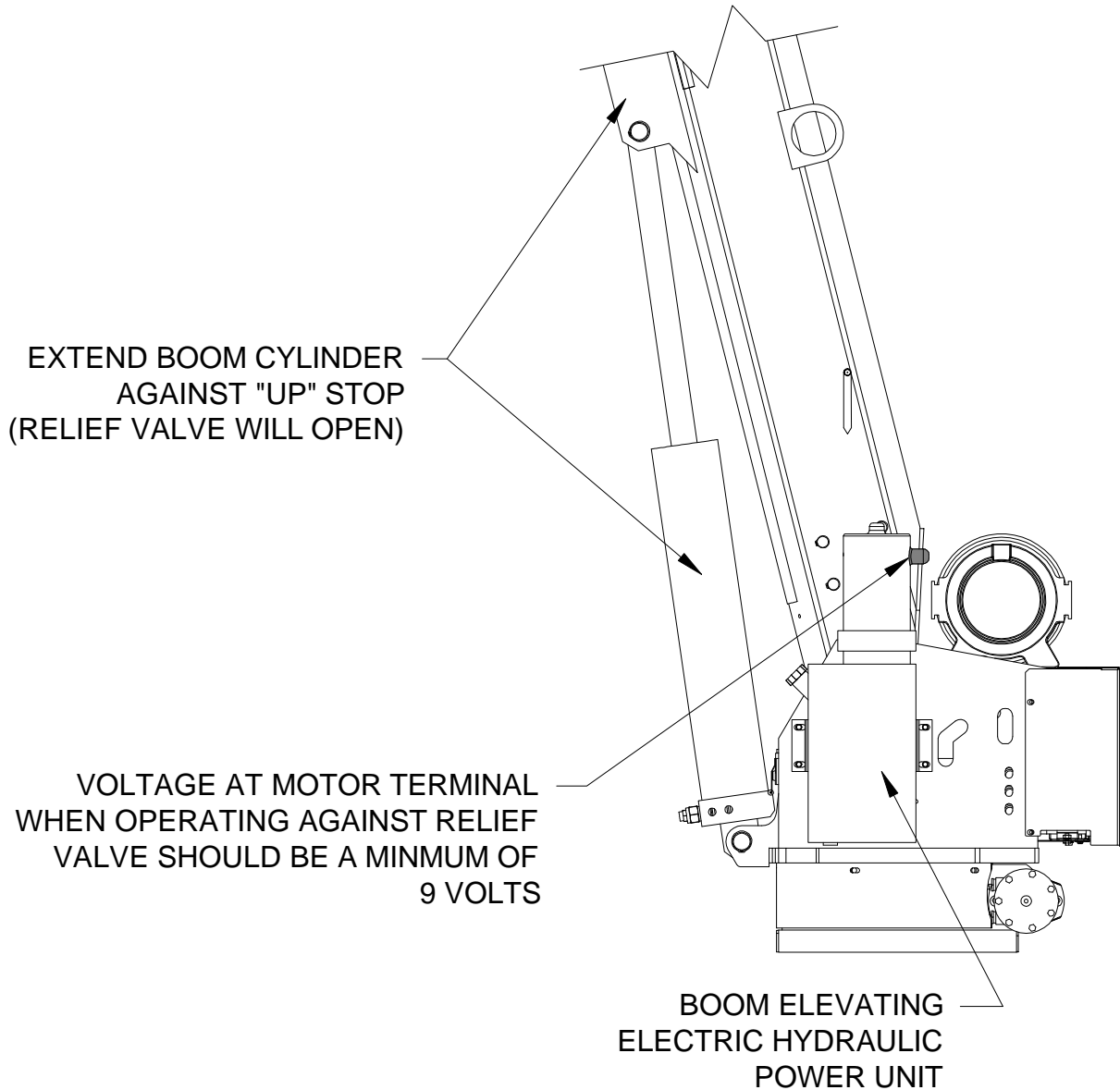
SECTION
C300

ET8/12K(X) AND ET16/18KX ▲

21306

MINIMUM VOLTAGE TEST

ONE OF THE MOST COMMON ELECTRICAL PROBLEMS ENCOUNTERED ON 12 VOLT ELECTRICAL CRANES IS INSUFFICIENT VOLTAGE AT THE MOTOR WHEN DRAWING THE LARGE CURRENT THAT EXISTS AT FULL LOAD



MANUFACTURING, INC.
CINCINNATI, OHIO

TITLE
MINIMUM VOLTAGE TEST
ET SERIES CRANES

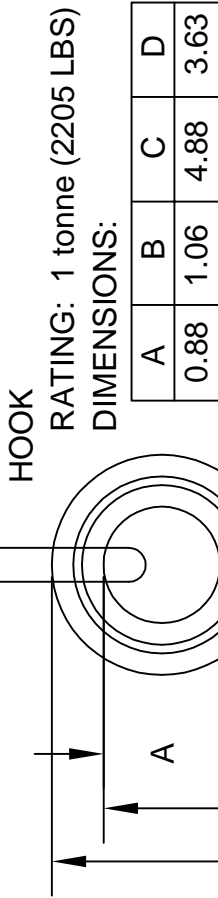
DATE
12-26-13G
SUPERSEDES
10-05-09F

SECTION
C300
19963

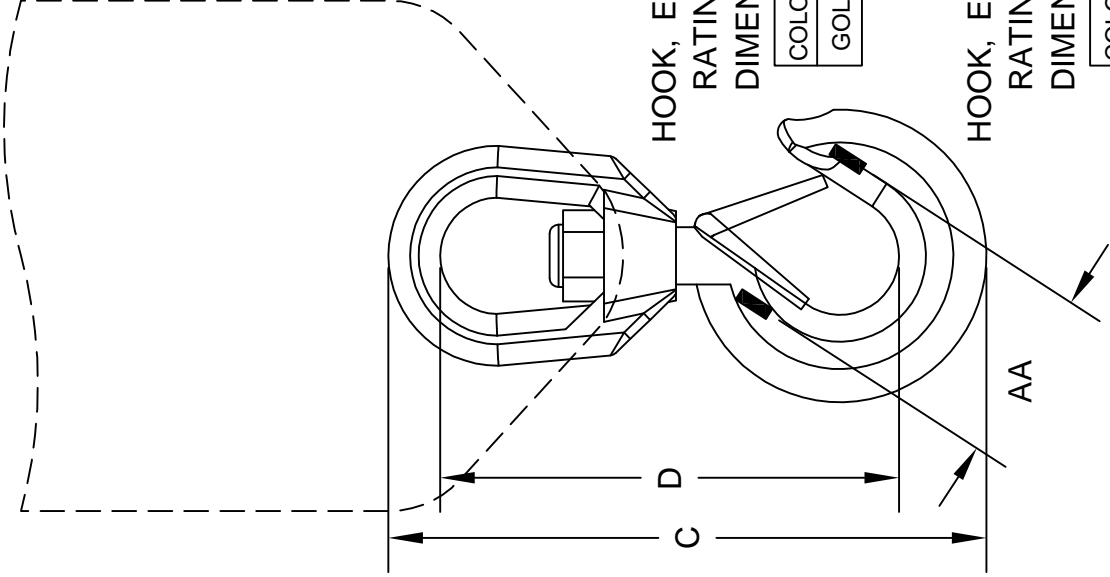
WIREROPE ASSEMBLY

ET6K WIREROPE:
TYPE: 3/16" DIAMETER
7 x 19, GALVANIZED

ET8/12K(X) WIREROPE:
TYPE: 1/4" DIAMETER
7 x 19, GALVANIZED



LOAD BLOCK ASSEMBLY



VENCO VENTURO INDUSTRIES LLC
CINCINNATI, OHIO

TITLE
WIREROPE & HOOK SPECIFICATIONS

DATE
01-15-15E

SECTION
C300

ET6/8/12K(X)

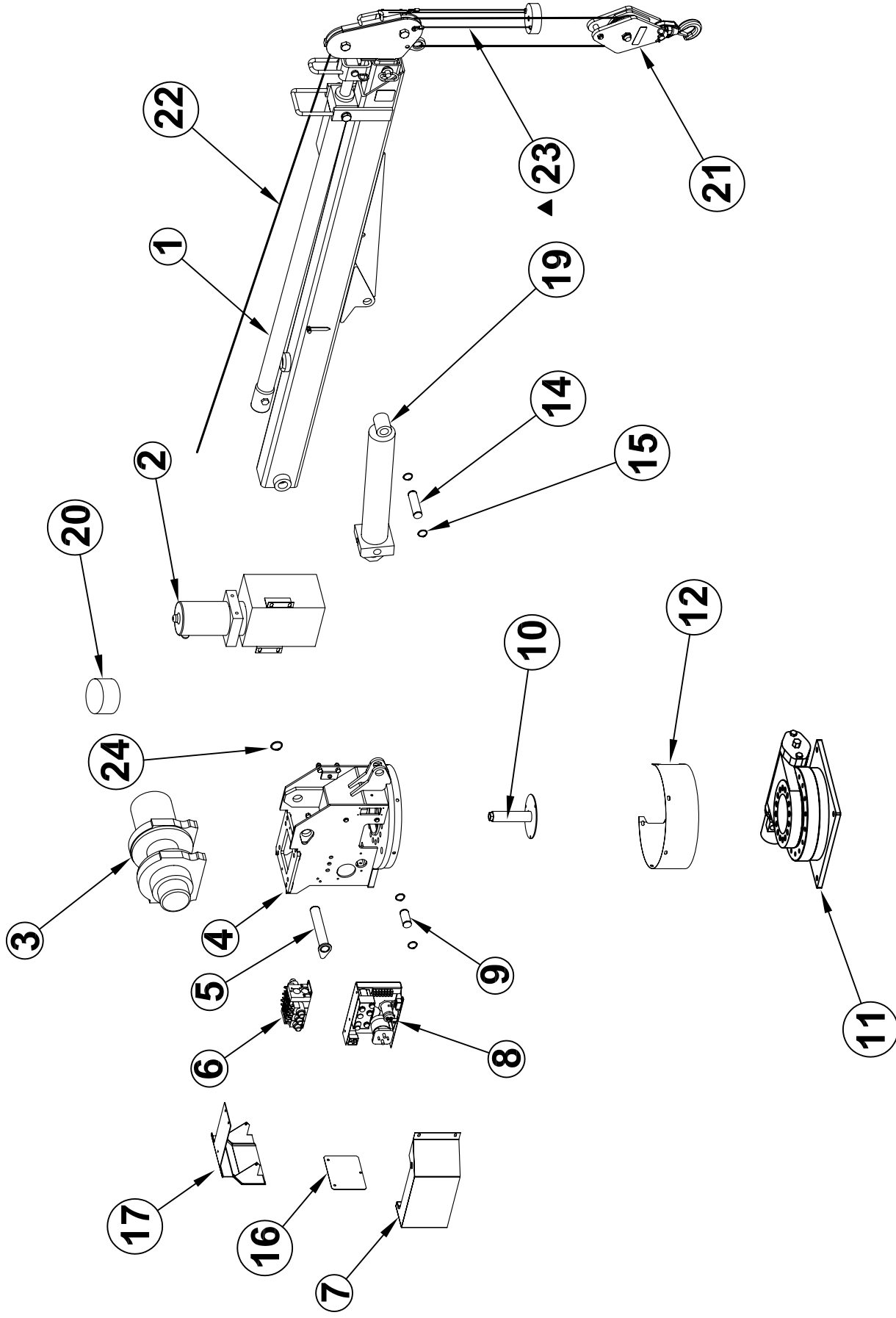
SUPPERSEDES
03-10-14D

23225

SECTION 400

PARTS





REPLACEMENT PARTS LIST - 21598

VENTURO MANUFACTURING, INC. CINCINNATI, OHIO	TITLE	REPLACEMENT PARTS	SECTION	C400
	ET12KX	DATE	12-4-07C	SUPERSEDES
				21597

24	1	!SRNG-125	SNAP RING; 1 1/4"
23	1	19377-1	ASSY; ANTI-2-BLOCK WEIGHT
22	1	21639	ASSY; WIRE ROPE
21	1	20670	SWIVEL LOAD BLOCK
20	1	16143-1	COVER; MOTOR
19	1	21745	CYLINDER; ELEVATION
18	-	-	-
17	1	27626	ASSY; WELDED, REAR COVER
16	1	21624	COVER PLATE; REAR
15	4	!SRNG-113	SNAP RING; 1 1/8"
14	1	21547	PIVOT PIN; ELEV. CYL. TO BOOM
13	-	-	-
12	1	21185	GUARD; ROTATION GEAR
11	1	21735	ROTATION DRIVE SYSTEM
10	1	21506	ASSY; CANDLESTICK, SWIVEL PIGTAIL
9	1	21546	PIVOT PIN; ELEV. CYL. BASE
8	1	21515	ASSY; ELECTRICAL COMPONENT
7	1	21621	COVER; ELECTRICAL COMPONENT ASSY.
6	1	21614	VALVE BLOCK; 4 - 3
5	1	21540	PIVOT PIN; MAIN BOOM
4	1	21811	ASSY; WELDED, UNIV. UPPER HSG.
3	1	21556	WINCH
2	1	20873	HYDRAULIC POWER UNIT
1	1	28008-1	ASSY; FINAL, ET12KX BOOM
ITEM NO.	QTY.	PART NO.	DESCRIPTION

REF. PARTS DRAWING 21597



MANUFACTURING, INC.
CINCINNATI, OHIO

TITLE

REPLACEMENT PARTS LIST

ET12KX

DATE

12-11-13G

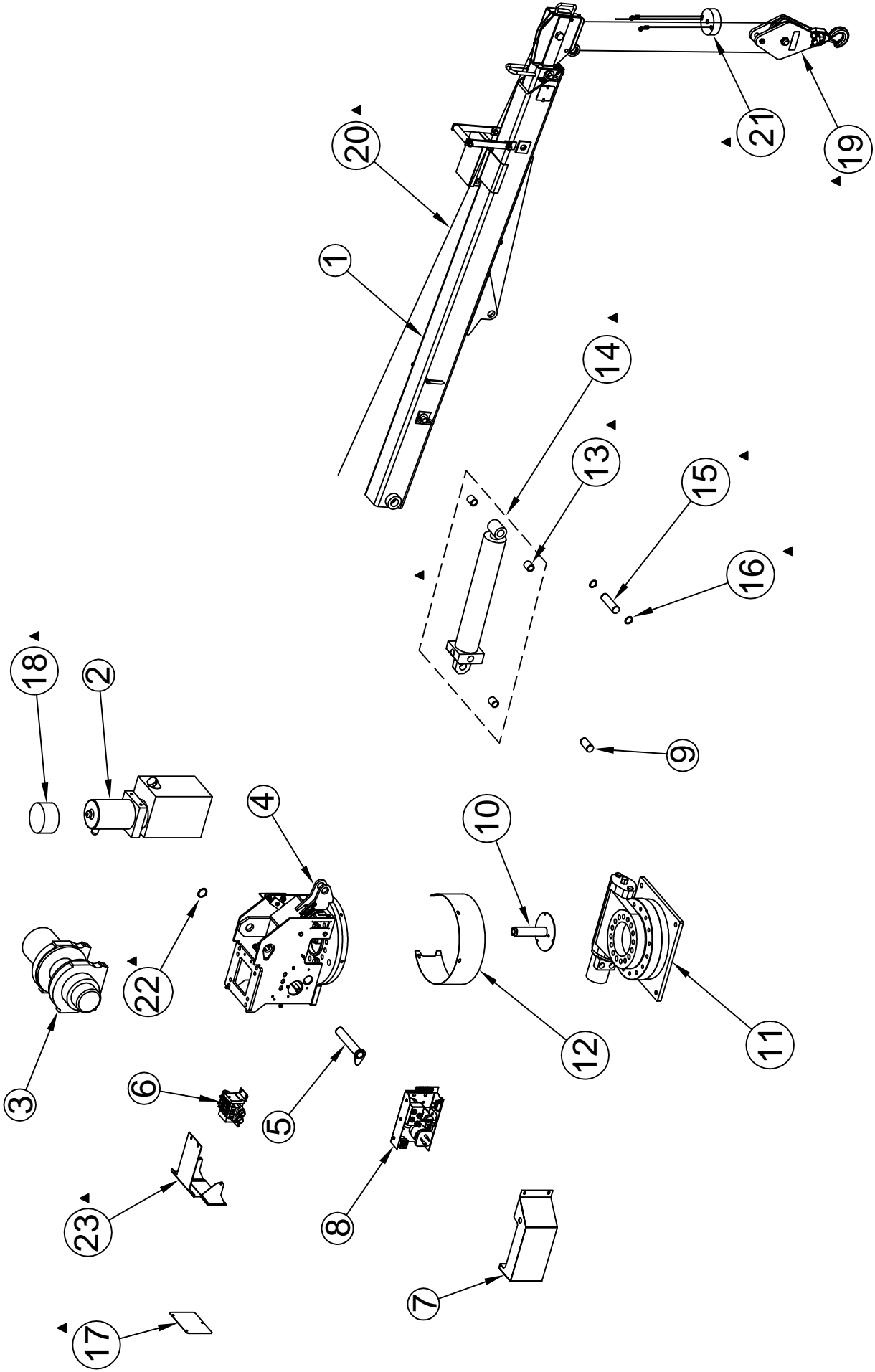
SUPERSEDES

03-29-12F

SECTION

C400

21598



REFERENCE REPLACEMENT PARTS LIST #21608



VENCO VENTURO INDUSTRIES LLC
CINCINNATI, OHIO

TITLE
REPLACEMENT PARTS DWG

ET12K

DATE
07-30-15D
SUPERSEDES
03-25-10C

SECTION
C400

21607

ET12K REPLACEMENT PARTS LIST

23	1	27626	ASSY; WELDED, REAR COVER
22	1	!SRNG-125	SNAP RING; 1 1/4"
21	1	19377-1	ASSY; ANTI-2-BLOCK WEIGHT
20	1	21639	ASSY; WIRE ROPE
19	1	20670	SWIVEL LOAD BLOCK
18	1	16143-1	COVER; MOTOR
17	1	21624	PLATE; REAR COVER
16	4	!SRNG-113	SNAP RING; 1 1/8"
15	1	21547	PIVOT PIN; ELEVATION CYLINDER, ROD
14	1	21745	ASSY; ELEV. CYL., INCLUDES COMPOSITE BEARINGS
13	3	21789	COMPOSITE BEARING
12	1	21185	GUARD; ROTATION GEAR
11	1	21735	ROTATION POWER UNIT W/ MTNG. BASE
10	1	21506	ASSY; SWIVEL PIGTAIL CANDLSTICK
9	1	21546	PIVOT PIN; ELEVATION CYLINDER, BASE
8	1	21515	ASSY; ELECTRICAL COMPONENT
7	1	21621	COVER; ELECTRICAL, SIDE
6	1	21615	VALVE BLOCK; 4 - 2
5	1	21540	PIVOT PIN; MAIN BOOM
4	1	21811	ASSY; WELDED, UNIV. UPPER HOUSING
3	1	21556	WINCH; ELECTRIC
2	1	20873	HYDRAULIC POWER UNIT
1	1	28008	FINAL ASSY; BOOM, ET12K
ITEM NO.	QTY	PART NO.	DESCRIPTION

REFERENCE PARTS DWG #21607



VENCO VENTURO INDUSTRIES LLC
CINCINNATI, OHIO

TITLE
RPLCMNT PARTS LIST
ET12K

DATE
07-30-15J
SUPERSEDES
12-16-13H

SECTION
C400
21608

FASTENER LIST FOR ET12KX

PART NUMBER	DESCRIPTION	QTY	LOCATION/FUNCTION
!HHCS03118063	HEX HEAD CAP SCREW 5/16-18 X 5/8"	1	GROUND STRAP ON CANDLESTICK
!LWSH-031	LOCK WASHER - 5/16	1	GROUND STRAP ON CANDLESTICK
!LWSH-031-STAR	STAR LOCK WASHER - 5/16 EXTERNAL	1	GROUND STRAP ON CANDLESTICK
!HHCS02520063-F	HHCS 1/4-20 X 5/8" - SELF TAPPING	3	CANDLESTICK TO BASE
!ZERK01327NPT	STRAIGHT GREASE FITTING	1	SLEWING RING
!SHCS03816050	SOCKET HEAD CAP SCREW 3/8-16 X 1/2"	2	SLEWING RING
!HHCS06311350	HEX HEAD CAP SCREW 5/8-11 X 3-1/2"	15 ▲	UPPER HOUSING TO RING (TORQUE TO 150 FT/LB)
!LWSH-063	LOCK WASHER - 5/8"	15 ▲	LOWER BASE TO RING
!FWSH-038	FLAT WASHER - 3/8"	4	HYDRAULIC POWER UNIT
!LWSH-038	LOCK WASHER - 3/8"	4	HYDRAULIC POWER UNIT
!HNUT-03816	HEX NUT - 3/8-16	4	HYDRAULIC POWER UNIT
!LWSH-031-STAR	STAR LOCK WASHER - 5/16 EXTERNAL	2	HOUSING GROUNDS
!PHCS#0832050	PAN HEAD SCREW #8-32 X 1/2"	4	PENDANT PLUG CASE
!LWSH-#08	LOCK WASHER - #8	4	PENDANT PLUG CASE
!PHCS#1032038	PAN HEAD SCREW #10-32 X 3/8"	2	TOP POSITION SWITCH
!LWSH-#10	LOCK WASHER - #10	2	TOP POSITION SWITCH
!HNUT-#10-32	HEX NUT - #10-32	2	TOP POSITION SWITCH
!UNUT-02520	U-NUT 1/4-20	5	GUARD RING ON HOUSING BASE
!HHCS02520075	HEX HEAD CAP SCREW 1/4-20 X 3/4"	5	LOWER RING GUARD
!FWSH-025	FLAT WASHER 1/4"	5	LOWER RING GUARD
!LWSH-025	LOCK WASHER 1/4"	5	LOWER RING GUARD
!HHCS02520063-F	HHCS 1/4-20 X 5/8" - SELF TAPPING	2	HOUSING SIDE COVER
!HHCS03118075-F	HHCS 5/16-18 X 3/4" - SELF TAPPING	4	UPPER REAR HOUSING COVER
!HHCS02520050-F	HHCS 1/4-20 X 1/2" - SELF TAPPING	3	LOWER REAR HOUSING COVER
!HHCS02520063-F	HHCS 1/4-20 X 5/8" - SELF TAPPING	3	ELECTRICAL PANEL
!LWSH-025-STAR	STAR LOCK WASHER - 1/4 EXTERNAL	2	ELECTRICAL PANEL
14775	RUBBER GROMMET 1/2" ID	3	HOUSING PUMP SIDE
14883	RUBBER GROMMET 3/8" ID	2	HOUSING BOOM SIDE
!HNUT-02520	HEX NUT - 1/4-20	2	WINCH TERMINAL SPACER
!HHCS03118075-F	HHCS 5/16-18 X 3/4"	2	VALVE BLOCK GROUNDS
!SRNG-125	EXTERNAL SNAP RING 1-1/4"	1	MAIN BOOM PIVOT PIN
!HHCS02500075	HEX HEAD CAP SCREW - 1/4-20 X 3/4"	2	VALVE BLOCK
!LWSH-025	LOCK WASHER - 1/4"	2	VALVE BLOCK
!FNUT-02520	FLANGE NUT - 1/4-20	2	VALVE BLOCK
!HHCS02520075	HEX HEAD CAP SCREW 1/4-20 X 3/4"	1	TOP ANGLE BOOM SWITCH BRACKET
!LWSH-025	LOCK WASHER - 1/4"	1	TOP ANGLE BOOM SWITCH BRACKET
!FNUT-02520	FLANGE NUT - 1/4-20	2	TOP ANGLE BOOM SWITCH BRACKET
25019	HOLE PLUG - 7/8 DIA.	1	HOUSING SIDE COVER / TOP
25019	HOLE PLUG - 7/8 DIA.	1	HOUSING BASE - GREASE HOLE



MFG., INC.
CINCINNATI, OHIO

TITLE
REPL. FASTENERS LIST

DATE
5-8-08B

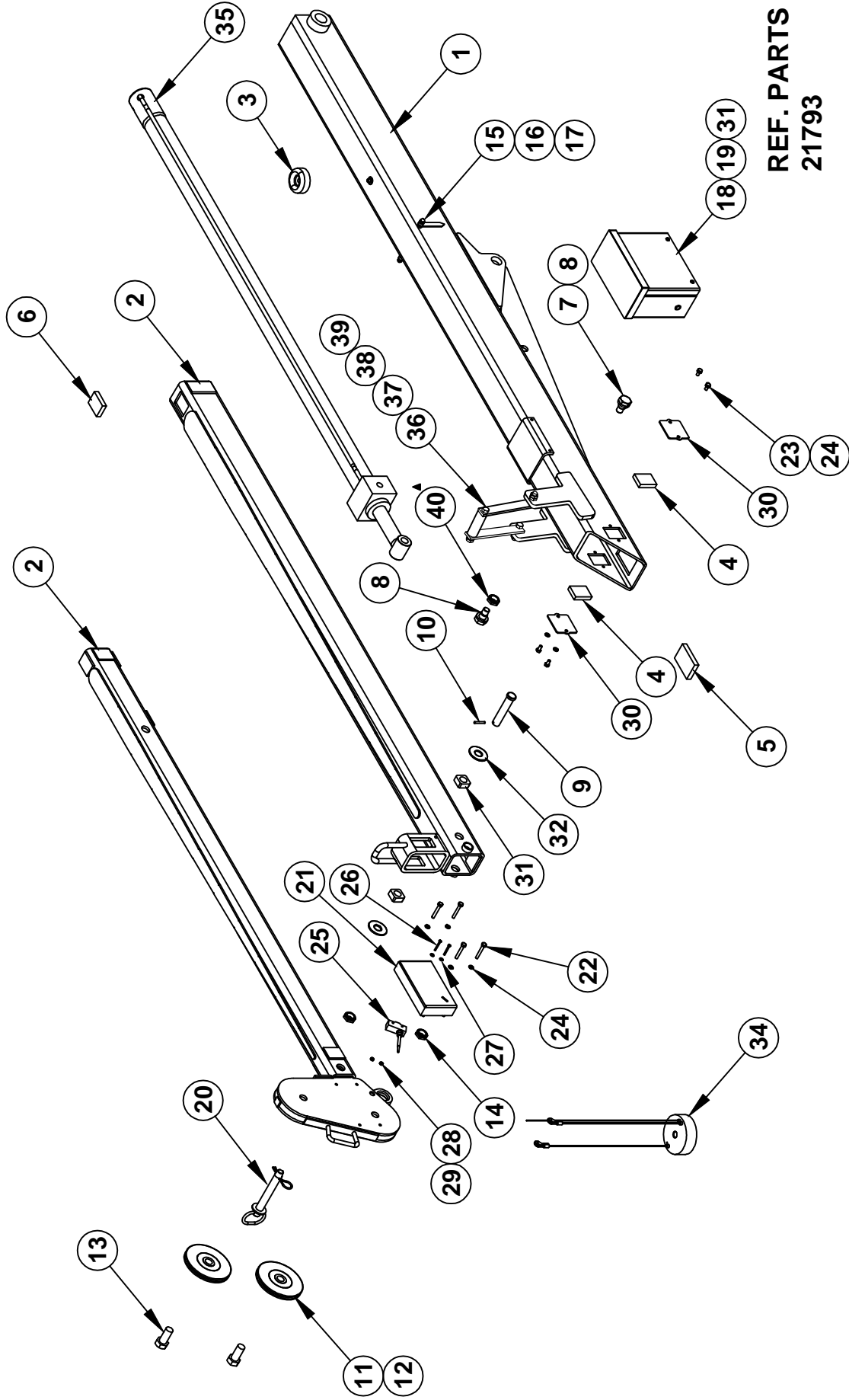
SECTION
C400

ET12KX

SUPERCEDES
5-11-07A

21599

28008-1 BOOM PARTS DRAWING



REF. PARTS LIST
21793

VENTURO MANUFACTURING, INC. CINCINNATI, OHIO	TITLE	28008-1 BOOM PARTS DRAWING	DATE	1-24-13A	SECTION	C400
		ET12KX	SUPERSEDES	3-28-12		21792

40	2	!HNUT-07516	HEX JAM NUT 3/4-16 UNF
39	2	!FWSH-050SAE	FLAT WASHER 1/2 SAE
38	1	!JNUT-04414N	NYLON LOCK JAM NUT, 7/16-14
37	2	!HHCS05013125	HEX HEAD CAP SCREW 1/2-13 X 1-1/4 LG
36	1	27090	WIRE ROPE GUIDE ASSY.
35	1	21690	1-7/8 X 48-1/8 DA CYLINDER
34	1	19377-1	ANTI-2-BLOCK WEIGHT ASSEMBLY
33	-	-	-
32	2	!FWSH-075	3/4" FLAT WASHER
31	2	21734	THRUST ROLLER
30	2	21528	BEARING CAP
29	2	!HNUT-#0632	HEX NUT 6-32
28	2	!LWSH-#06	LOCK WASHER - 6
27	2	!FWSH-#06	FLAT WASHER #06
26	2	!PHMS#0632125	PHILLIPS HEAD CAP SCREW 6-32 X 1-14 LG
25	1	19376	ANTI-TWO BLOCK SWITCH
24	8	!LWSH-025	LOCK WASHER - 1/4
23	4	!HHCS02520050	HEX HEAD CAP SCREW - 1/4-20 X 1/2 LG
22	4	!HHCS02520175	HEX HEAD CAP SCREW - 1/4-20 X 1-3/4 LG
21	1	21291	ANTI-TWO-BLOCK HOUSING ASSEMBLY
20	1	19258-1	BOOM PIN
19	4	!SHCS03118050	SHCS 5/16-18 X 1/2 LONG
18	1	22683	ANTI 2 BLOCK CORD REEL ASSEMBLY
17	2	!ANUT-02520S	ACORN NUT 1/4-20 STAINLESS
16	2	22490	SPACER, BOOM ARROW 1/2" O.D.
15	2	13459-1	BOOM ARROW 3-3/16 LONG
14	2	!LNUT-07510	LOCKNUT 3/4-10
13	2	17059-4	SHEAVE AXLE
12	2	21630	CABLE SHEAVE - PLASTIC
11	2	20536	SPACER - 20537 SHEAVE
10	1	!RPIN-016125	ROLL PIN, 5/32 X 1-1/4
9	1	13401-2A	ROD PIVOT PIN - 3/4 x 3-3/4
8	2	17487	PIVOT BOLT, ADJUSTABLE, ECCENTRIC
7	2	!LWSH-075	LOCK WASHER - 3/4"
6	1	21538	BOOM BEARING - 1-1/2 X 2 X 1/2
5	1	21208	BOOM BEARING - 2 X 3 X 1/2
4	2	21209	BOOM BEARING - 1-1/2 X 2 X 7/16
3	1	20285	BUMPER - BOOM
2	1	28015	SECONDARY AND TERTIARY BOOM ASSEMBLY
1	1	28010-1	PRIMARY BOOM WELDED ASSEMBLY

**REF. PARTS
DRAWING 21792**

TITLE

28008-1 BOOM REPLACEMENT PARTS LIST

ET12KX

DATE

1-24-13B

SUPERSEDES

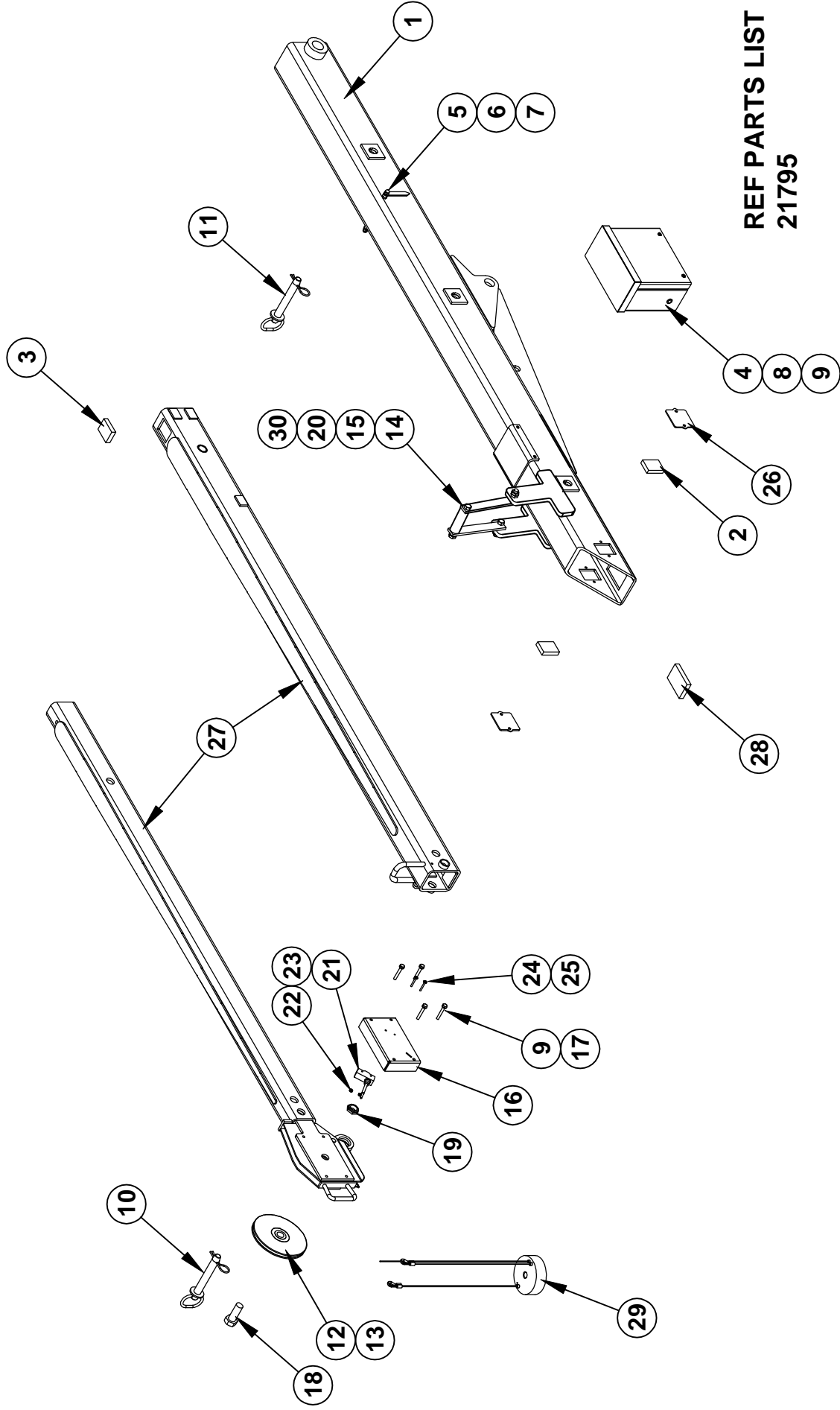
6-18-12A

SECTION


C400

21793

28008 BOOM PARTS DRAWING

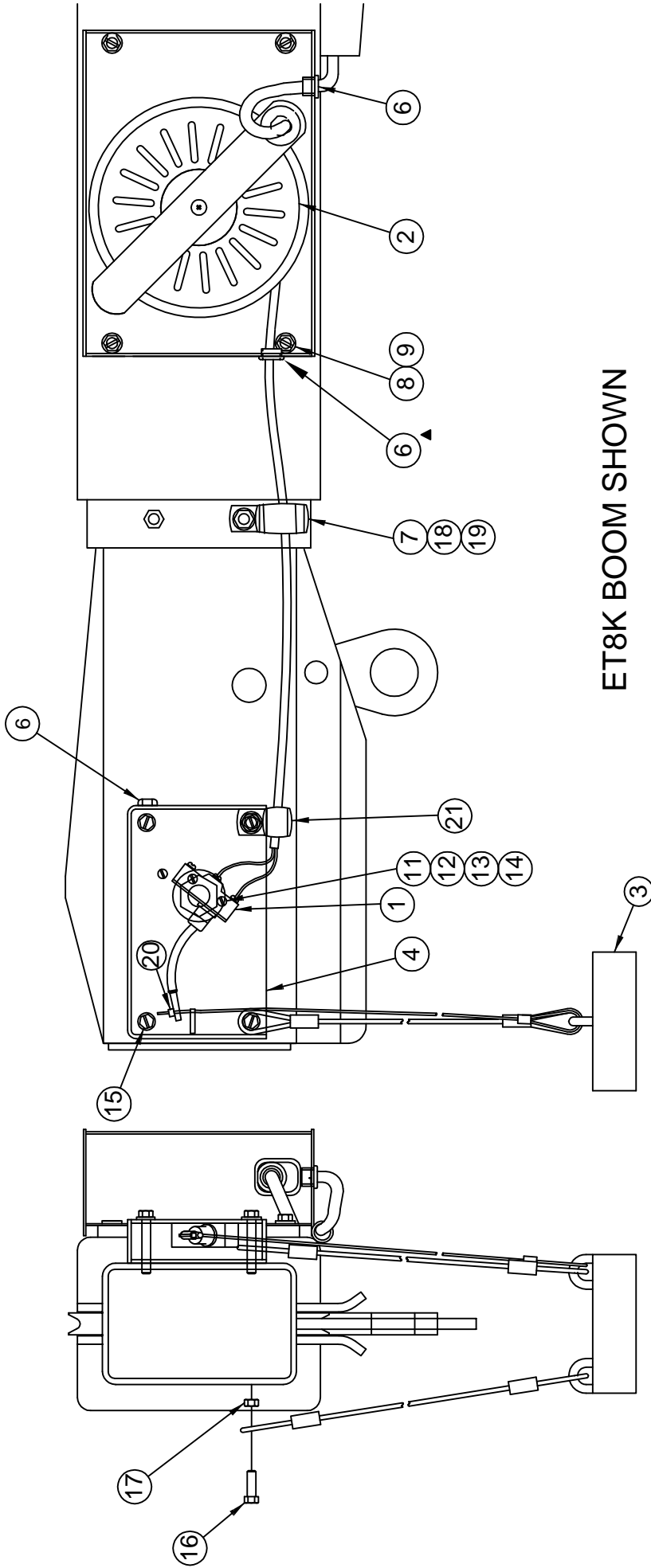


REF PARTS LIST
21795

 <p>MANUFACTURING, INC. CINCINNATI, OHIO</p>	TITLE	SECTION
	<p>28008 BOOM PARTS DRAWING</p> <p>ET12K</p>	<p>C400</p>
	DATE	
	<p>3-30-12</p>	
	SUPERSEDES	
	-	
		21794

29	1	19377-1	ANTI-2-BLOCK WEIGHT ASSEMBLY
28	1	21208	BOOM BEARING - 2 X 3 X 1/2
27	1	21685	SECONDARY & TERTIARY BOOM WELD ASSEMBLY
26	2	21528	BEARING CAP
25	2	!FWSH-#06	FLAT WASHER #06
24	2	!PHMS#0632125	PHILLIPS HEAD CAP SCREW 6-32 X 1-14 LG
23	2	!HNUT-#0632	HEX NUT 6-32
22	2	!LWSH-#06	LOCK WASHER - 6
21	1	19376	ANTI-TWO BLOCK SWITCH
20	1	!JNUT-04414N	NYLON LOCK-JAM NUT - 7/16-14
19	1	!JNUT-07510N	NYLON LOCK-JAMNUT 3/4-10
18	1	17059-6	SHEAVE AXLE 3/4 X 2 W/ 1" SHANK
17	4	!HHCS02520175	HEX HEAD CAP SCREW - 1/4-20 X 1-3/4 LG
16	1	21277	SWITCH BRACKET
15	2	!HHCS04414125	HEX HEAD CAP SCREW 7/16-14 X 1-1/4 LG
14	1	21566	ASS'Y, WIRE ROPE GUIDE
13	1	20536	SPACER - 20537 SHEAVE
12	1	20537	POLY CABLE SHEAVE W/ BUSHING
11	1	19258-2	BOOM PIN - 73/35/32
10	1	19258-3	BOOM PIN - 33/15/12
9	8	!LWSH-025	LOCKWASHER - 1/4
8	4	!HHCS02520050	HEX HEAD CAP SCREW 1/4-20 X 1/2 LG
7	2	!ANUT-02520S	ACORN NUT 1/4-20 STAINLESS
6	2	13459-1	BOOM ARROW 3-3/16 LONG
5	2	22490	SPACER, BOOM ARROW 1/2" O.D.
4	1	22683	ANTI 2 BLOCK CORD REEL ASSEMBLY
3	1	21538	BOOM BEARING - 1-1/2 X 2 X 1/2
2	2	21209	BOOM BEARING - 1-1/2 X 2 X 7/16
1	1	28010	PRIMARY BOOM WELDED ASSEMBLY
ITEM NO.	EXPLODED/QTY.	PART NUMBER	DESCRIPTION

**REF. PARTS
DRAWING
21794**



ET8K BOOM SHOWN

ITEM	QTY	PART NO.	DESCRIPTION	ITEM	QTY	PART NO.	DESCRIPTION
21	1	19269	CABLE CLAMP; SMALL	10	1	-	-
20	1	19302	SET COLLAR; 3/32"	9	4	ILWSH-031	LOCK WASHER; 5/16"
19	1	ILWSH-025	LOCK WASHER; 1/4"	8	4	ISHCS03118050-5	SOCKET HEAD CAP SCREW; 5/16-18 x 1/2"
18	1	ANUT-02520	ACORN NUT; 1/4-20	7	1	19275	CABLE CLAMP; LARGE
17	1	HNUT-02520	HEX NUT; 1/4-20	▲ 6	3	19270	SNAP BUSHING; 9/16" I.D.
16	1	!HHCS02520075-5	HEX HEAD CAP SCREW; 1/4-20 x 3/4" GR. 5	▲ 5	-	-	-
15	4	!HHCS02520175	HEX HEAD CAP SCREW; 1/4-20 x 1 3/4"	4	1	21291	ANTI TWO-BLOCK HOUSING
14	2	ILWSH-#06	LOCK WASHER; #6	3	1	19377-1	ASSY; WEIGHT, ANTI-2-BLOCK
13	2	!FWSH-#06	FLAT WASHER; #6	2	1	22683	ASSY; CORD REEL, LEFT
12	2	HNUT-#0632	HEX NUT; #6-32	1	1	19376	SWITCH; ANTI-2-BLOCK
11	2	!PHMS#632125	PAN HEAD MACHINE SCREW; #6-32 x 1 1/4"				
ITEM	QTY	PART NO.	DESCRIPTION	ITEM	QTY	PART NO.	DESCRIPTION



VENCO VENTURO INDUSTRIES LLC
CINCINNATI, OHIO

TITLE
REPLACEMENT PARTS DRAWING

DATE
01-21-15B

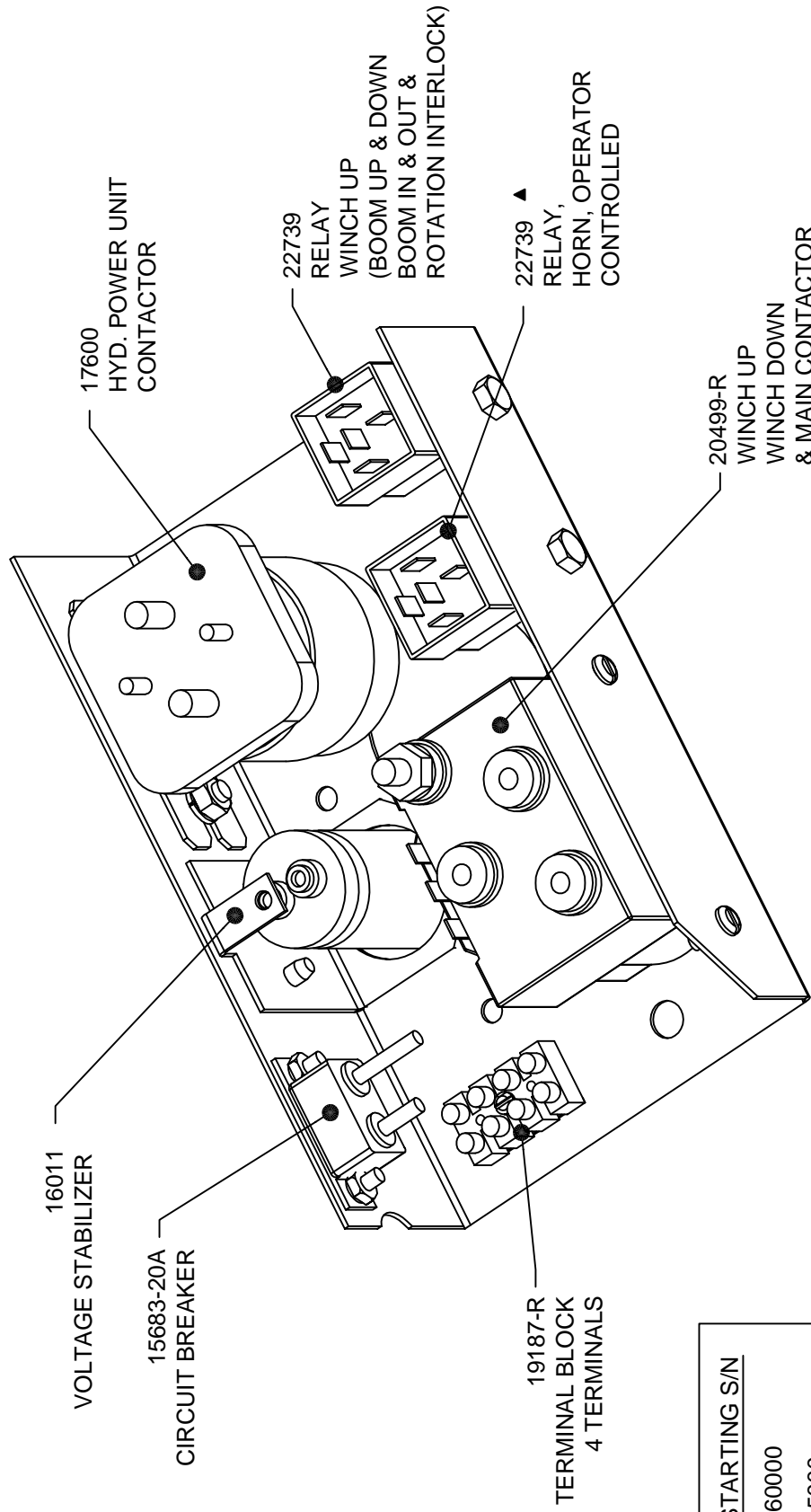
SUPERSEDES
12-26-13A

A2B SYSTEM (ET8/12K(X) GEN. B) ▲

SECTION
C400

28040

21515 ELECTRICAL COMPONENT ASSEMBLY



MODEL	STARTING S/N
ET6K	160000
ET8K	45000
ET8KX	73800
ET12K	61800
ET12KX	69800



VENCO VENTURO INDUSTRIES LLC
CINCINNATI, OHIO

TITLE
ELECTRICAL COMPONENT ASSEMBLY

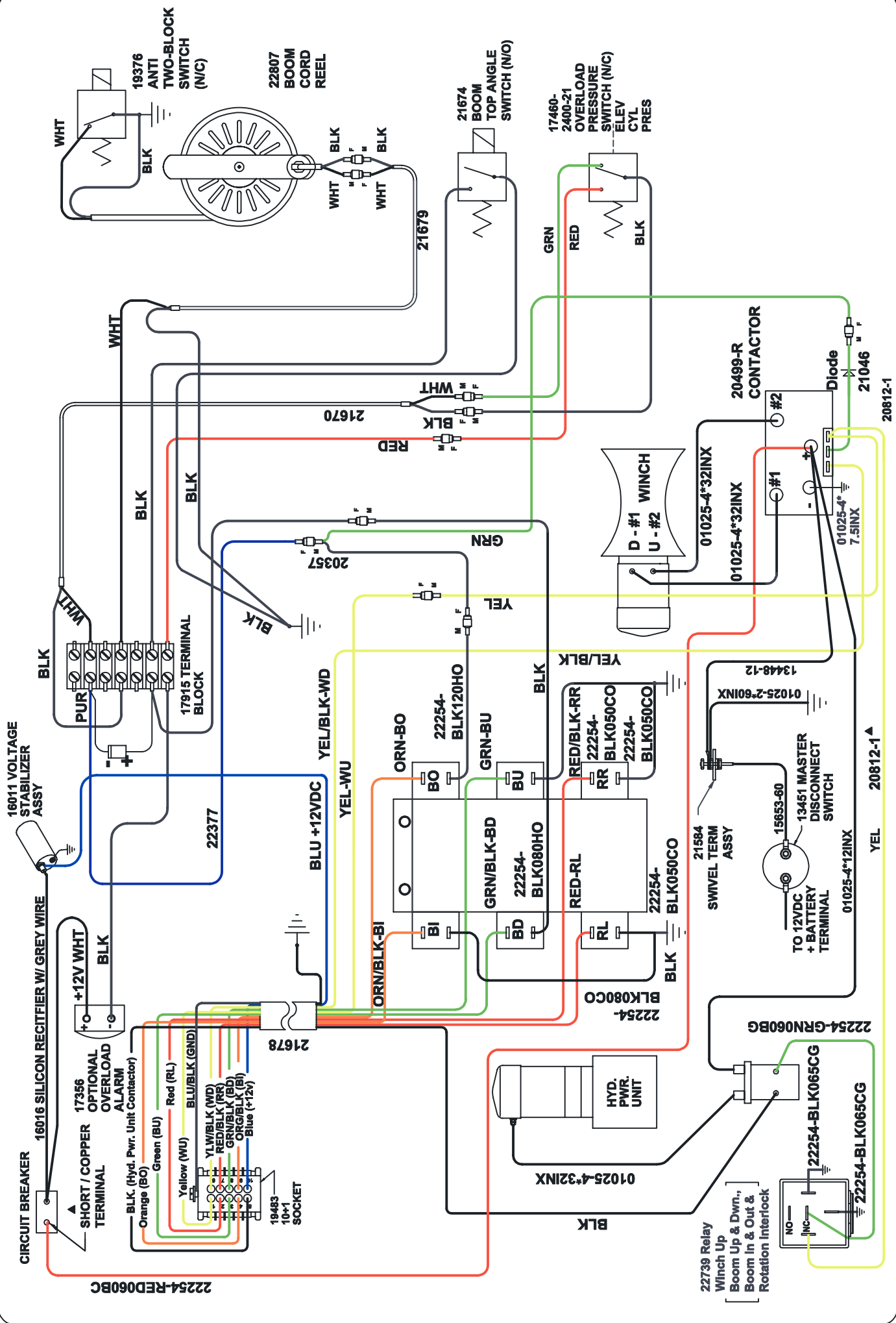
ET6K, ET8/12K(X)

DATE
02-10-15E

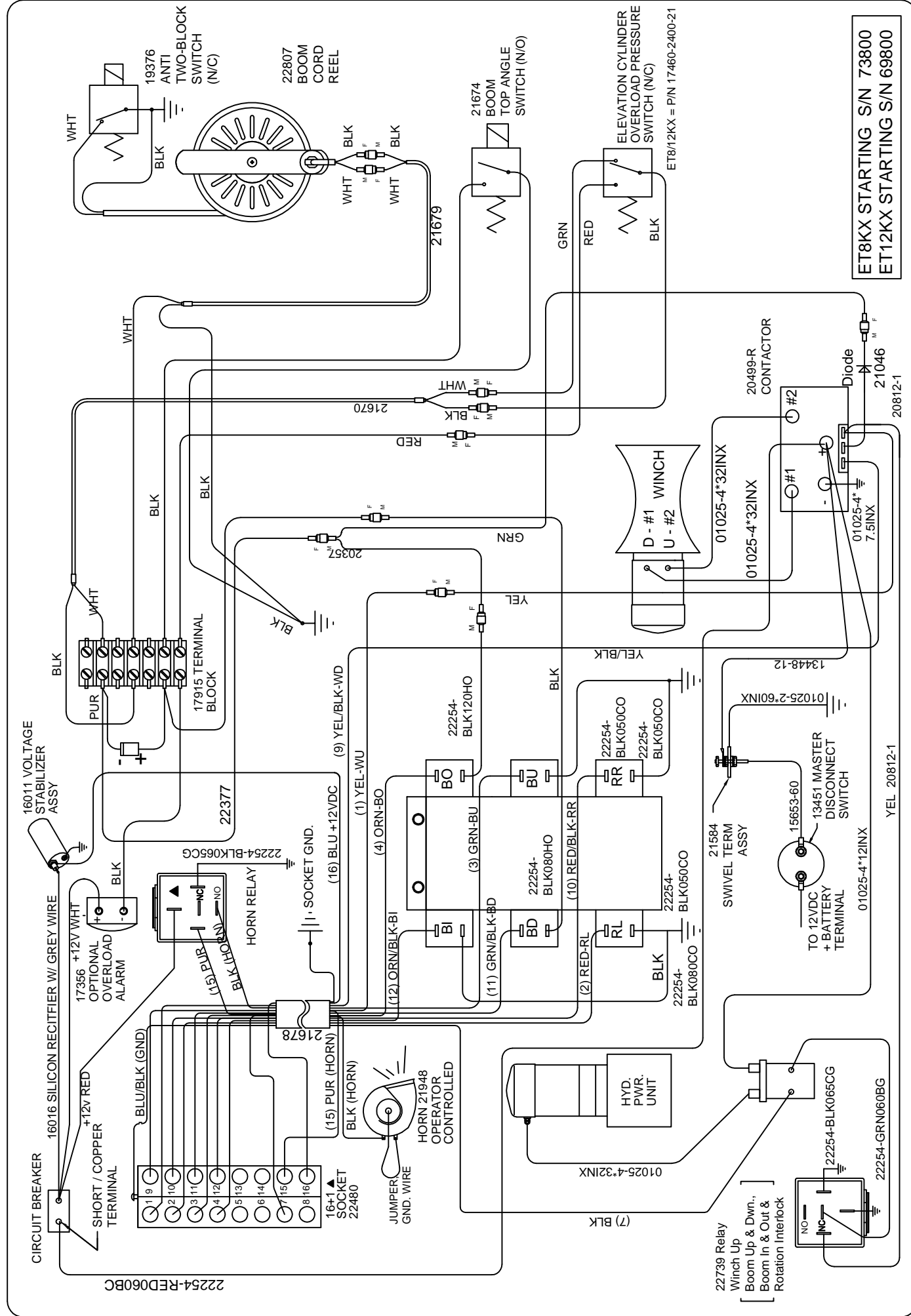
SUPPERSEDES
01-22-15D

SECTION
C400

21600

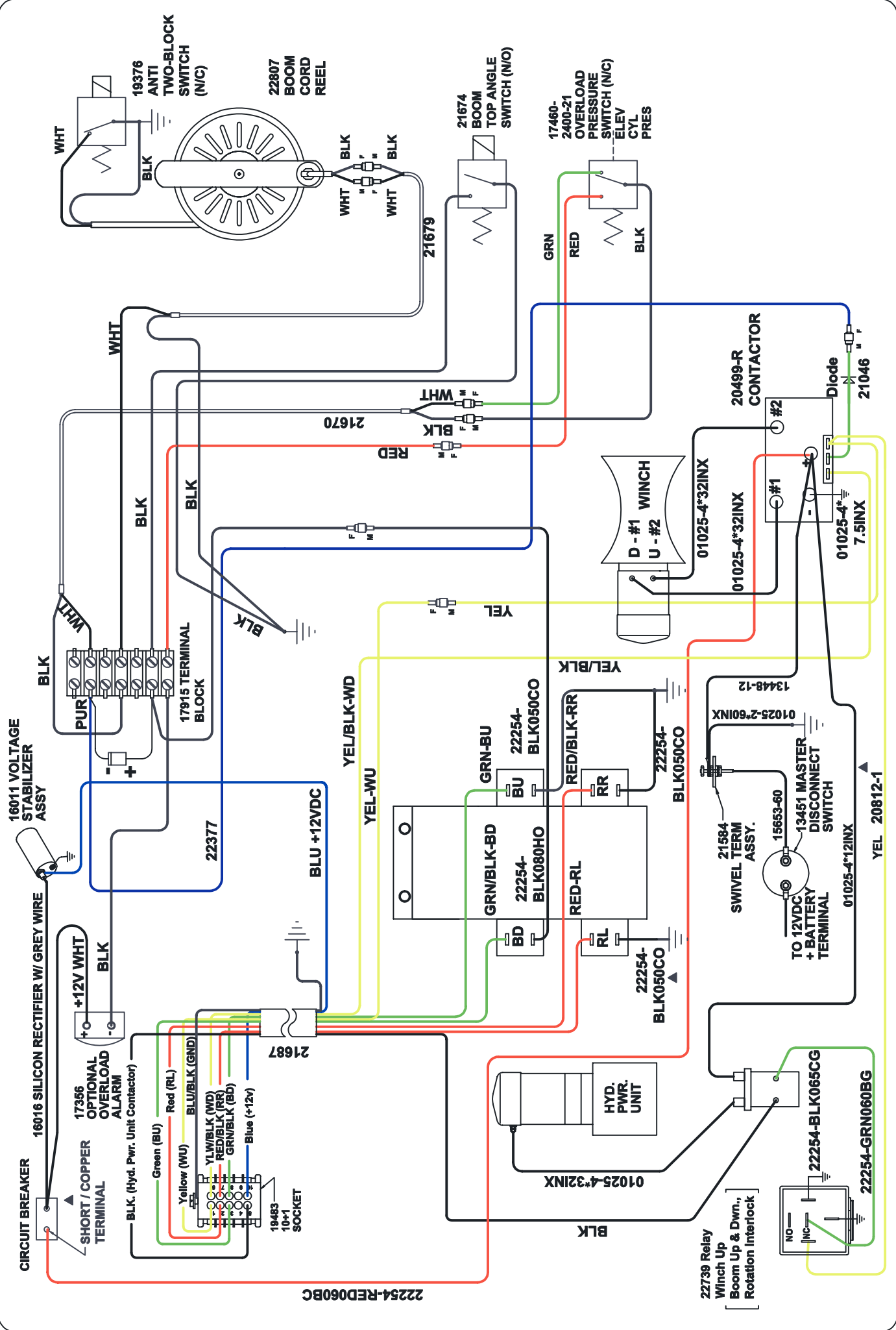


VENTURO MANUFACTURING, INC. CINCINNATI, OHIO	TITLE WIRING DIAGRAM	
	DATE 4-12-10H	SECTION -
ET12KX	SUPERSEDES 3-17-10G	21628

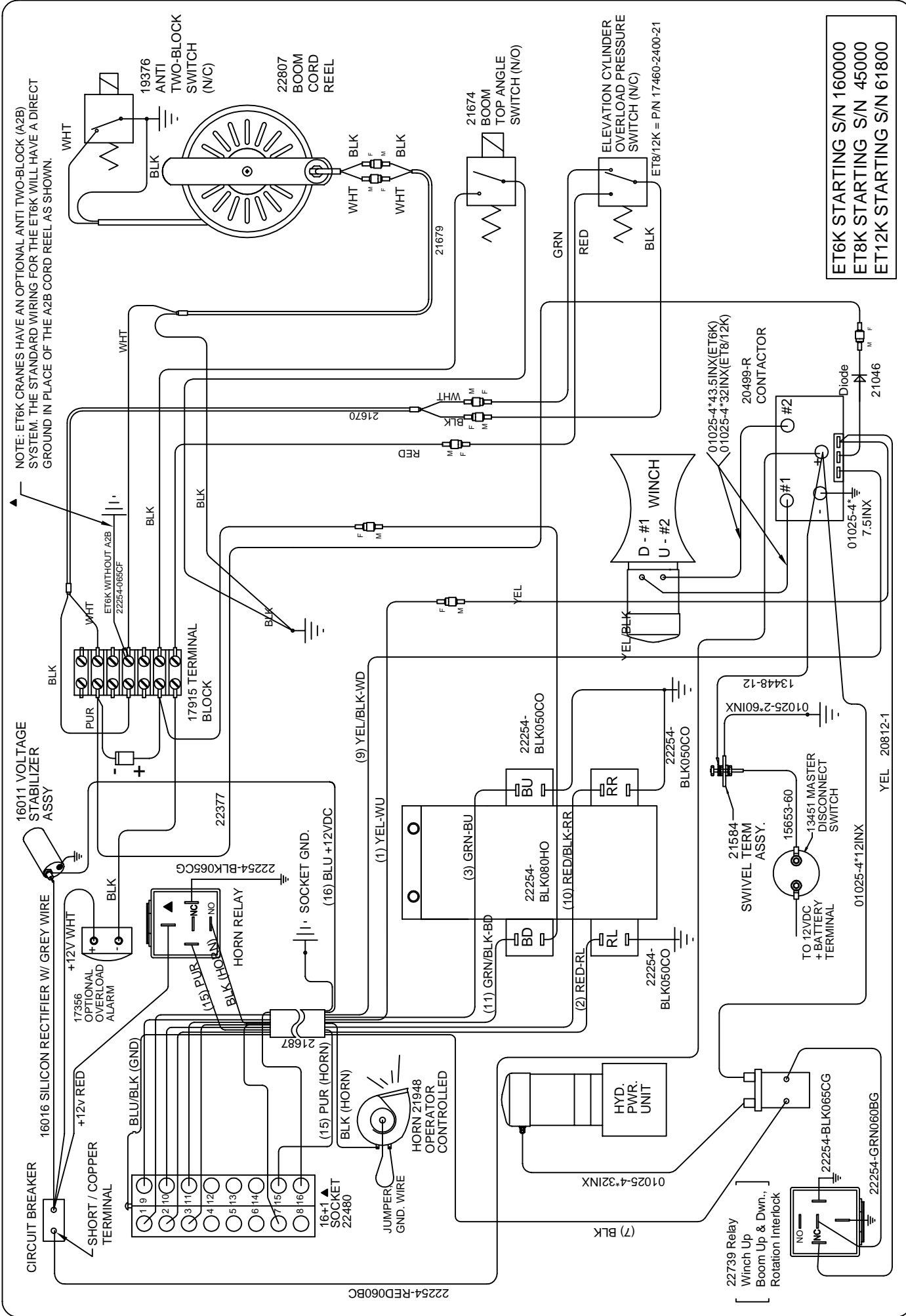


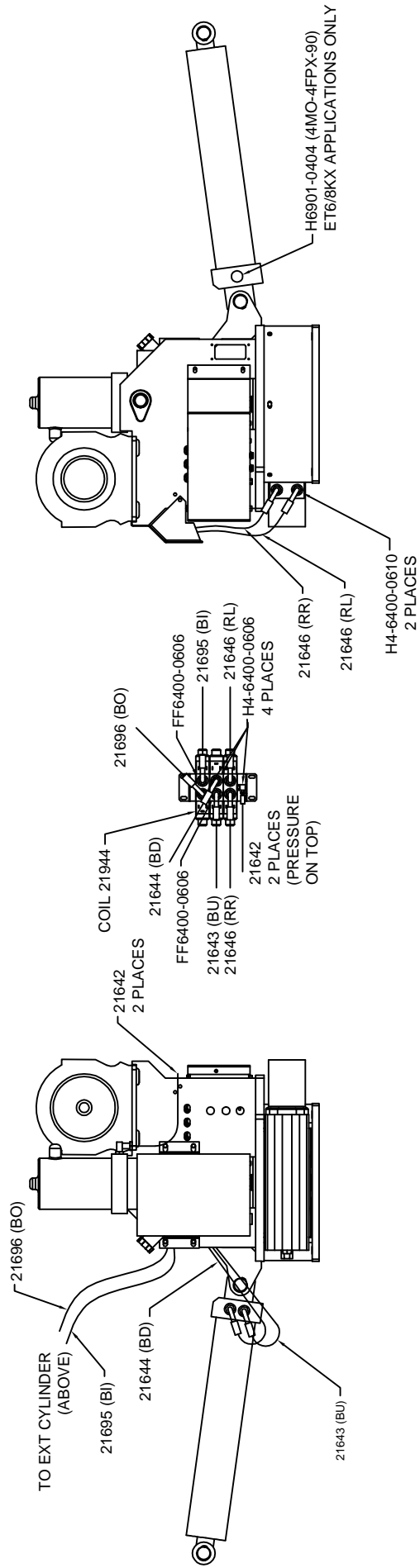
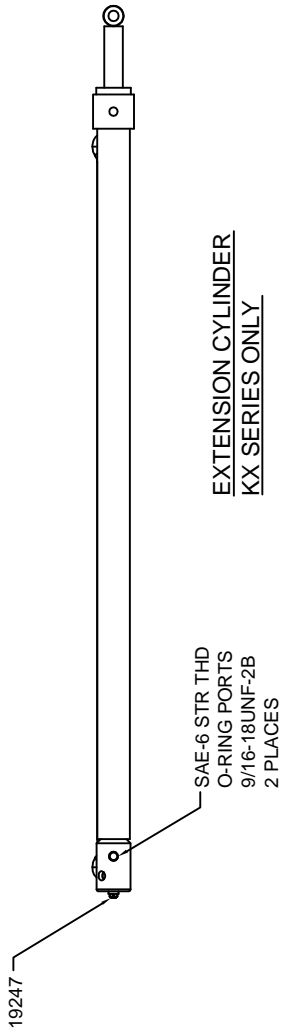
ET8KX STARTING S/N 73800
 ET12KX STARTING S/N 69800

VENTURO VENCIO VENTURO INDUSTRIES LLC CINCINNATI, OHIO		TITLE	WIRING DIAGRAM	
		DATE	12-22-14B	SECTION
		SUPERSEDES	10-07-14A	
				21947



<p>SECTION -</p> <p>21629</p>	<p>DATE 4-12-10F</p> <p>SUPERSEDES 3-18-10E</p>	<p>TITLE WIRING DIAGRAM</p> <p>ET12K</p>	<p>VENTURO MANUFACTURING, INC. CINCINNATI, OHIO</p>
--------------------------------------	---	--	--





VENCO VENTURO INDUSTRIES LLC
CINCINNATI, OHIO

TITLE

REPLACEMENT PARTS DRAWING

ET8/12KX (GEN B) HYD COMPONENTS

DATE

01-22-15B

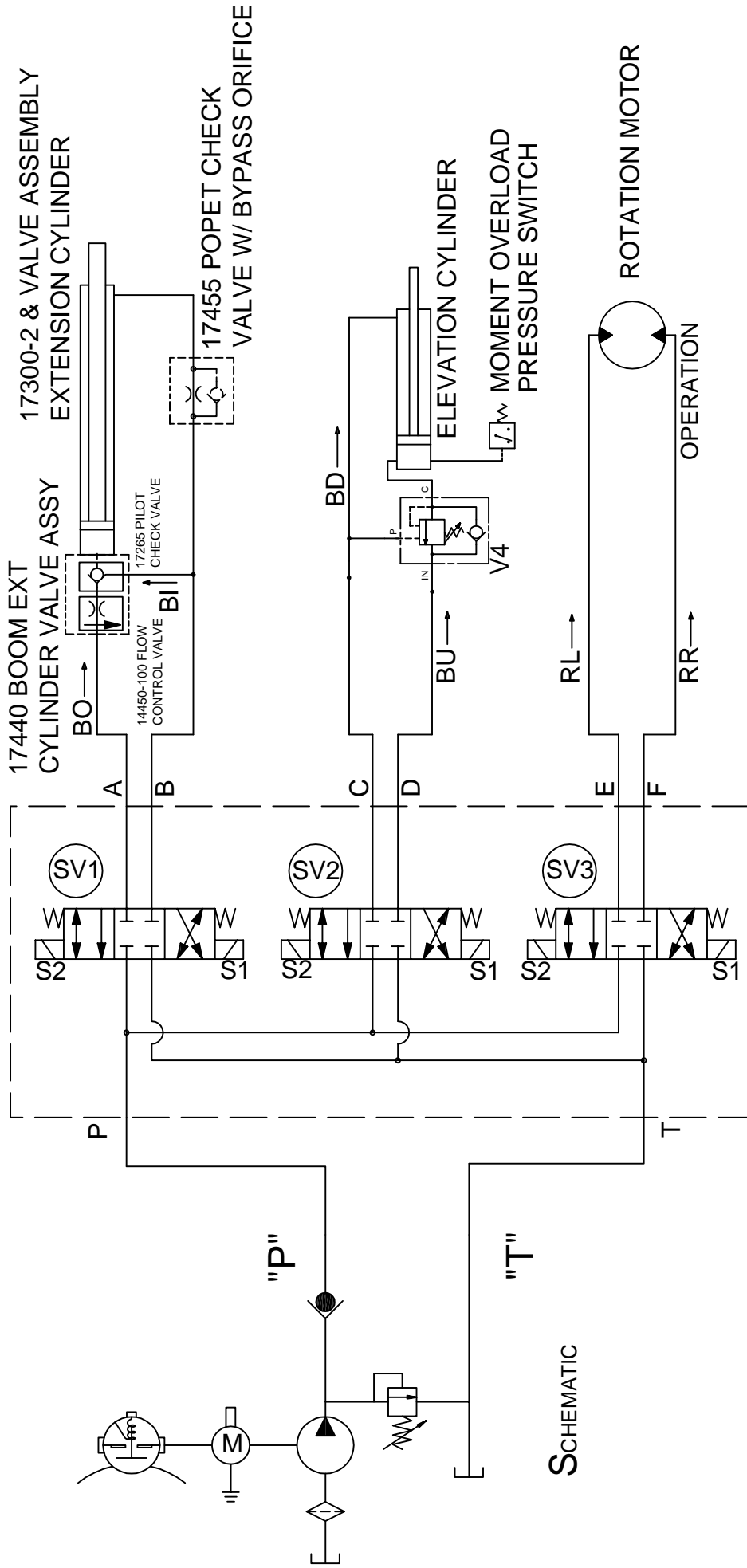
SUPERSEDES

12-26-13A

SECTION

C400

28037

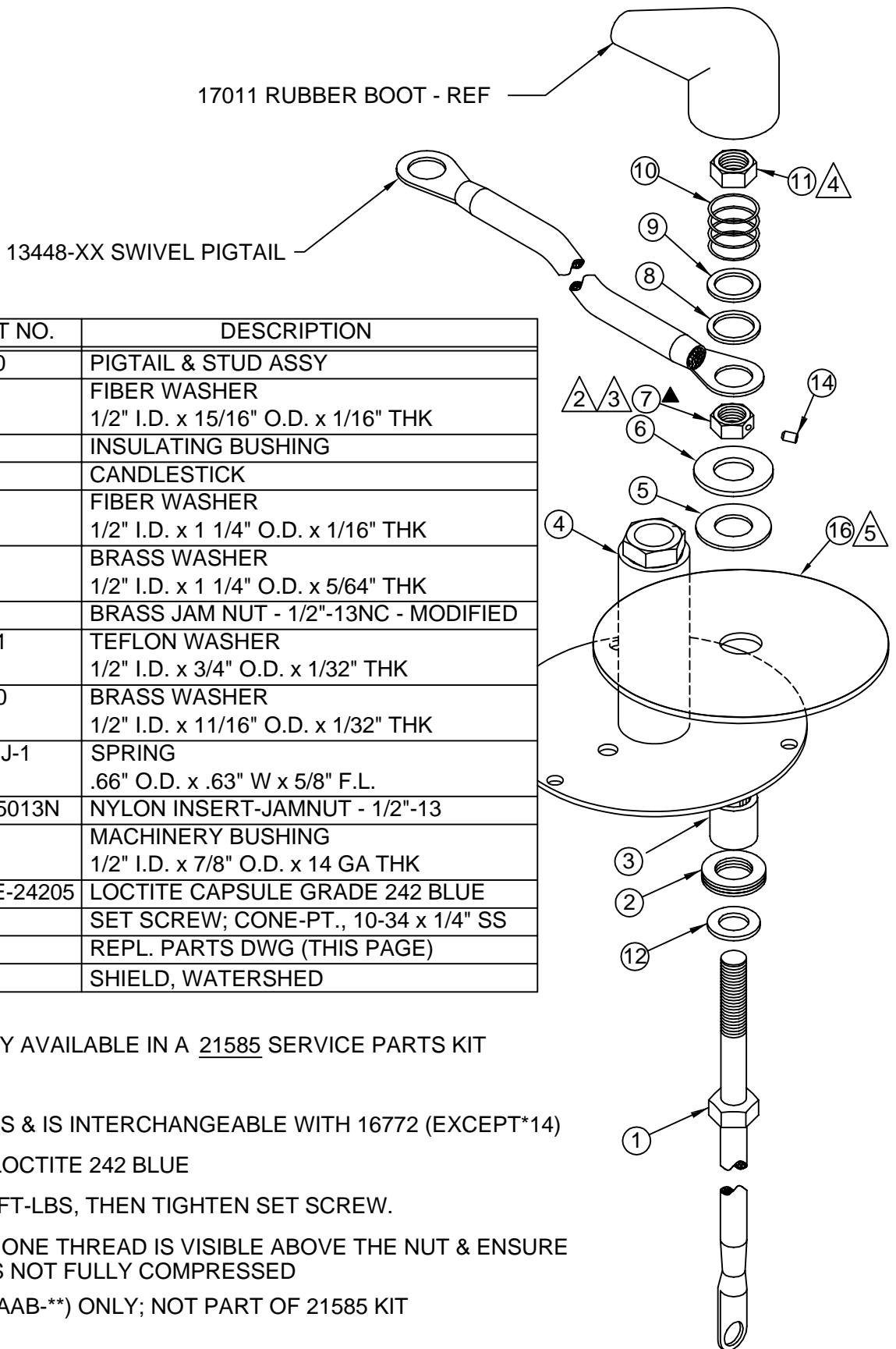


NOTE:
17440 CYLINDER & SV1 VALVE NOT AVAILABLE ON 'K' SERIES CRANES

- SV1
ENERGIZE "S2"
OPEN FLOW
'P' TO 'A'
'B' TO 'T'
ENERGIZE "S1"
OPEN FLOW
'P' TO 'B'
'A' TO 'T'
- SV2
ENERGIZE "S2"
OPEN FLOW
'P' TO 'C'
'D' TO 'T'
ENERGIZE "S1"
OPEN FLOW
'P' TO 'D'
'C' TO 'T'
- SV3
ENERGIZE "S2"
OPEN FLOW
'P' TO 'E'
'F' TO 'T'
ENERGIZE "S1"
OPEN FLOW
'P' TO 'F'
'E' TO 'T'

 VENCO VENTURO INDUSTRIES LLC CINCINNATI, OHIO	TITLE	HYDRAULIC SYSTEM DIAGRAM	
	SECTION	C400	21602
	DATE	01-26-15C	
	SUPPERSEDES	12-26-13B	

21584 SWIVEL TERMINAL ASSY



ITEM	QTY	PART NO.	DESCRIPTION
1	1	15653-60	PIGTAIL & STUD ASSY
* 2	3	16771-1	FIBER WASHER 1/2" I.D. x 15/16" O.D. x 1/16" THK
* 3	1	13410	INSULATING BUSHING
4	1	21506	CANDLESTICK
* 5	1	16771-2	FIBER WASHER 1/2" I.D. x 1 1/4" O.D. x 1/16" THK
* 6	1	16770*7	BRASS WASHER 1/2" I.D. x 1 1/4" O.D. x 5/64" THK
* 7	1	19800	BRASS JAM NUT - 1/2"-13NC - MODIFIED
* 8	1	16770*11	TEFLON WASHER 1/2" I.D. x 3/4" O.D. x 1/32" THK
* 9	1	16770*10	BRASS WASHER 1/2" I.D. x 11/16" O.D. x 1/32" THK
* 10	1	LC-063HJ-1	SPRING .66" O.D. x .63" W x 5/8" F.L.
* 11	1	!JNUT-05013N	NYLON INSERT-JAMNUT - 1/2"-13
* 12	1	12534-4	MACHINERY BUSHING 1/2" I.D. x 7/8" O.D. x 14 GA THK
* 13	1	LOCTITE-24205	LOCTITE CAPSULE GRADE 242 BLUE
* 14	1	21029	SET SCREW; CONE-PT., 10-34 x 1/4" SS
* 15	1	21584i	REPL. PARTS DWG (THIS PAGE)
16	1	27156-1	SHIELD, WATERSHED

* ITEMS ARE ONLY AVAILABLE IN A 21585 SERVICE PARTS KIT

- ① 21585 REPLACES & IS INTERCHANGEABLE WITH 16772 (EXCEPT*14)
- ② SECURE WITH LOCTITE 242 BLUE
- ③ TORQUE TO 30 FT-LBS, THEN TIGHTEN SET SCREW.
- ④ TIGHTEN UNTIL ONE THREAD IS VISIBLE ABOVE THE NUT & ENSURE THAT SPRING IS NOT FULLY COMPRESSED
- ⑤ FOR ET6K (ECBAAB-**) ONLY; NOT PART OF 21585 KIT



VENCO VENTURO INDUSTRIES LLC
CINCINNATI, OHIO

TITLE
REPLACEMENT PARTS

ET6K, ET8/12K(X)

DATE
02-17-15E

SUPERSEDES
12-26-13D

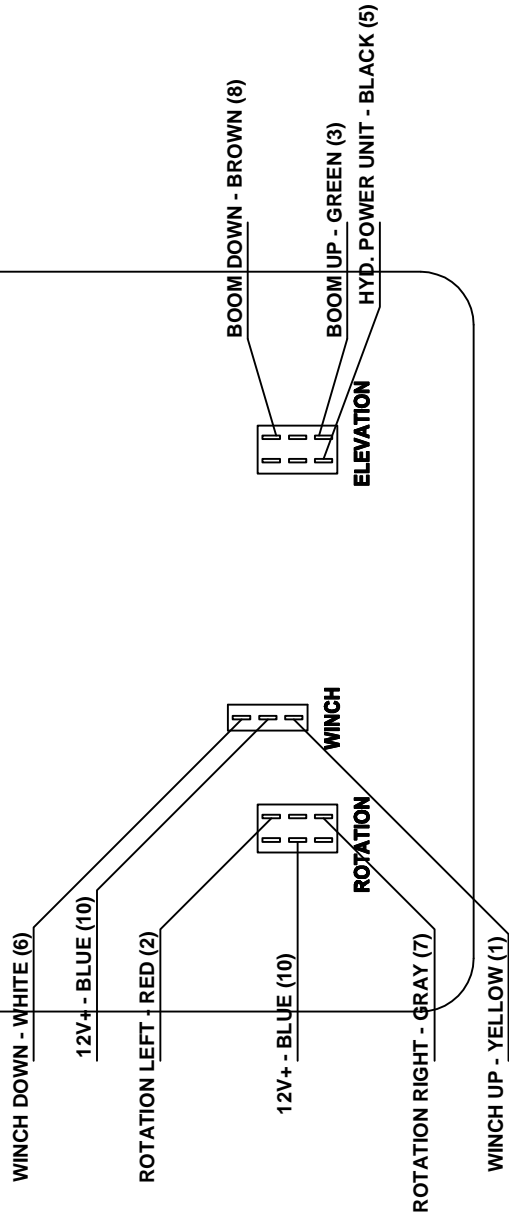
SECTION
C400

21584i

22061 PENDANT (3-SWITCH)

CORD REPLACEMENT INSTRUCTIONS

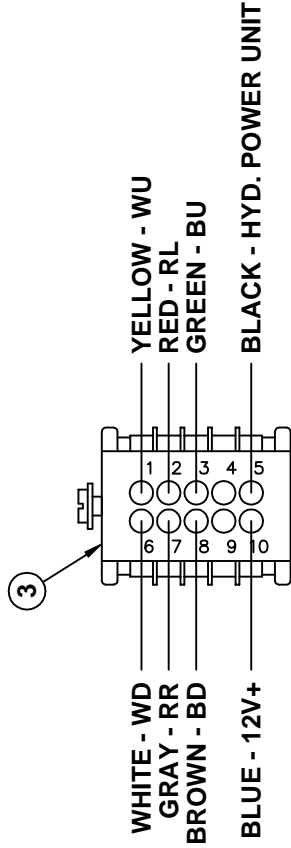
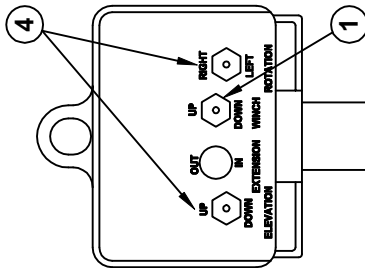
(INSIDE VIEW OF PENDANT CONTROL W/ REAR COVER REMOVED)



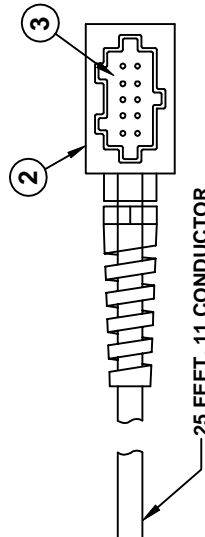
NOTE 1)
 WIRE TERMINALS TO BE
 INSTALLED 'AFTER' ROUTING
 REPLACEMENT CORD ASSY
 THROUGH PENDANT HEAD
 AND PLUG HOUSING.

NOTE 2)
 TOGGLE SWITCH JUMPER
 WIRES NOT SHOWN FOR
 CLARITY.

NOTE 3)
 STOW OR CUT-BACK
 UNUSED WIRES.



PLUG - BACKSIDE VIEW



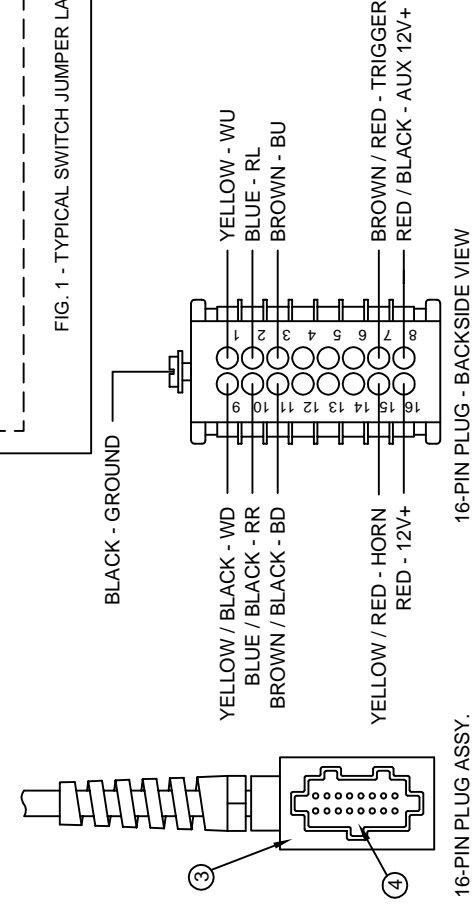
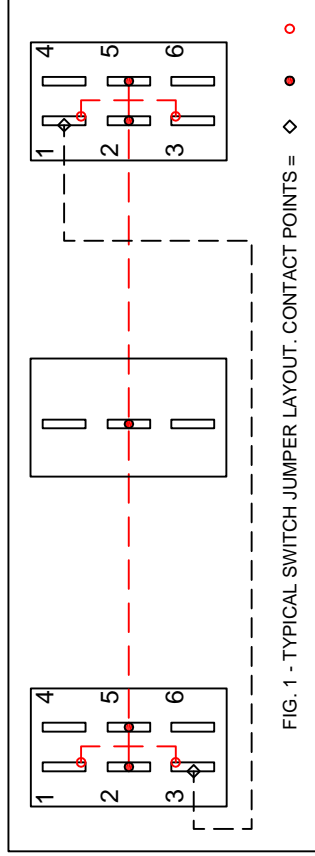
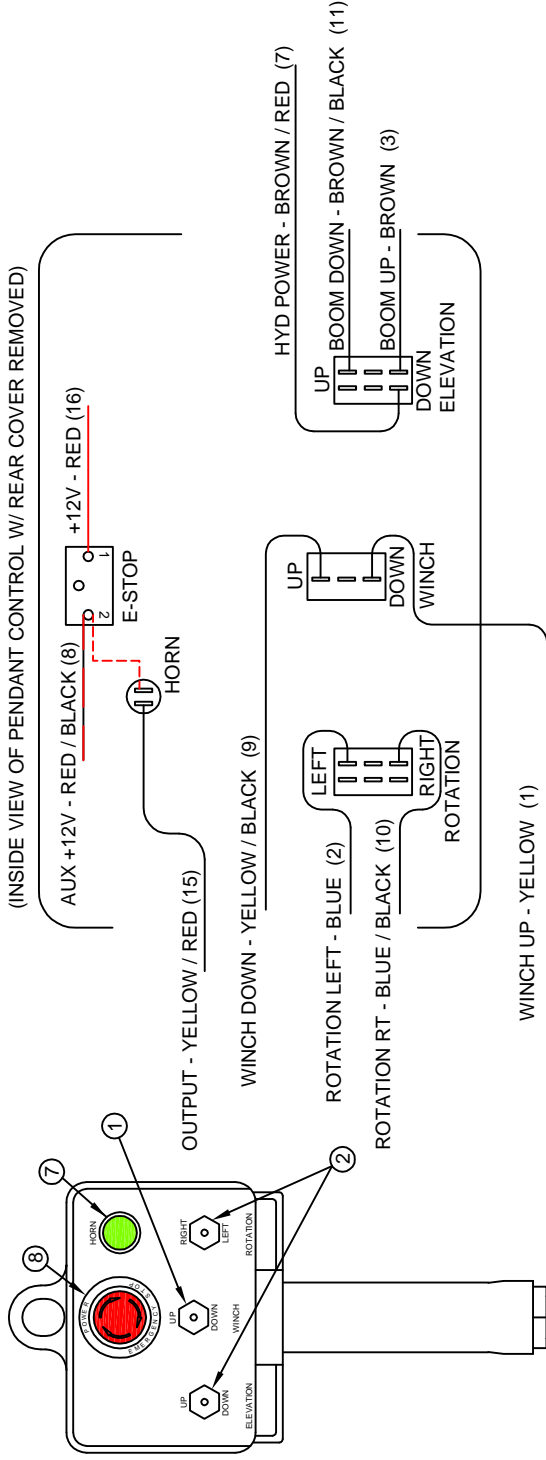
ITEM	QTY	PART NO.	DESCRIPTION
4	2	22152	DPDT MOMENTARY TOGGLE SWITCH
3	1	19427	MALE INSERT - 10 + 1 POLE
2	1	19426	PLUG CASE - 10 + 1 POLE
1	1	22081	SPDT MOMENTARY SWITCH

DATE	SECTION
9-28-12B	C400
SUPERSEDES	
9-6-11A	22077

TITLE
REPLACEMENT PARTS DRAWING
22061 PENDANT (STANDARD CTRL)

VENTURO MANUFACTURING, INC.
 CINCINNATI, OHIO

21991 PENDANT; 3 FUNCTION ET CRANES, E-STOP / HORN



NOTE 1:

WIRE TERMINALS TO BE INSTALLED 'AFTER' ROUTING REPLACEMENT CORD ASSY THROUGH PENDANT HEAD AND PLUG HOUSING.

NOTE 2:

STOW OR CUT BACK UNUSED WIRES.

MODEL STARTING S/N

ET8K 45000

ET12K 61800

ITEM	QTY	PART NO.	DESCRIPTION
8	1	22156	SWITCH; E-STOP
7	1	22155	SWITCH; PUSHBUTTON, HORN
6	1	22135	KIT; REPLACEMENT CORD ASSY
5	-	-	-
4	1	22472	INSERT; MALE, 16 + 1 POLE
3	1	22471	PLUG CASE; 16 + 1 POLE
2	2	22152	SWITCH; DPDT, MOMENTARY
1	1	22081	SWITCH; SPDT, MOMENTARY

TITLE
REPLACEMENT PARTS DWG & LIST

DATE
10-03-14

SECTION
C400

21991 PNDNT; 3 FNCTN ET CRNS, ESTP/HRN

SUPPERSEDES
-

23076

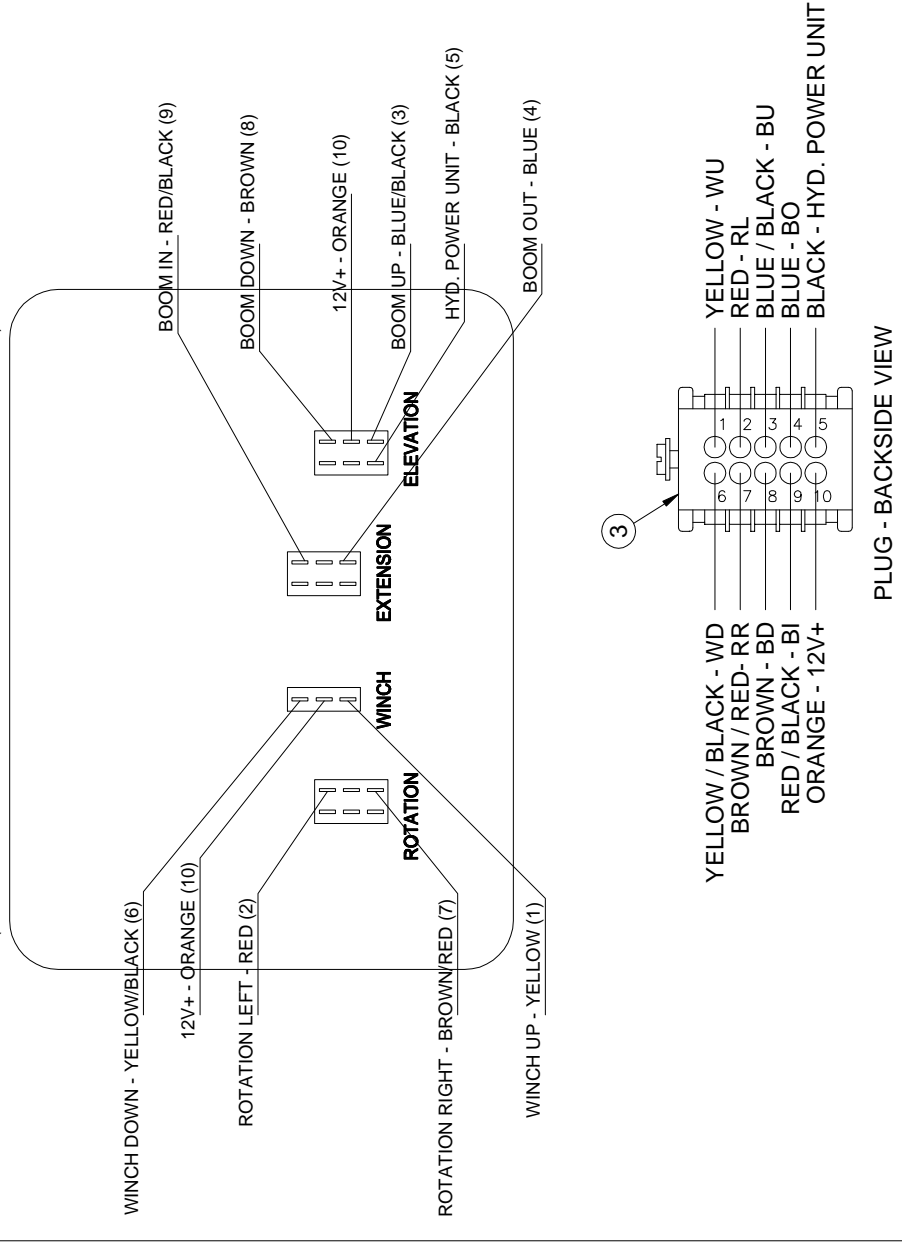


VENCO VENTURO INDUSTRIES LLC
CINCINNATI, OHIO

22060 PENDANT (4 - SWITCH)

CORD REPLACEMENT INSTRUCTIONS

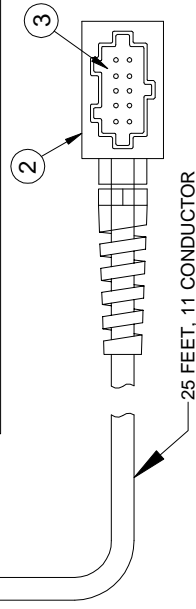
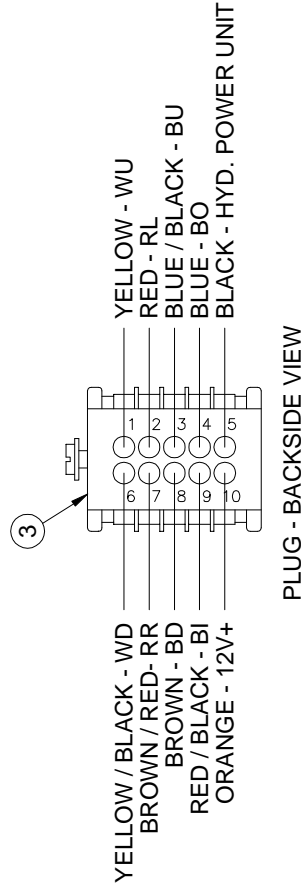
(INSIDE VIEW OF PENDANT CONTROL W/ REAR COVER REMOVED)



NOTE 1)
WIRE TERMINALS TO BE
INSTALLED 'AFTER' ROUTING
REPLACEMENT CORD ASSY
THROUGH PENDANT HEAD
AND PLUG HOUSING.

NOTE 2)
TOGGLE SWITCH JUMPER
WIRES NOT SHOWN FOR
CLARITY.

NOTE 3)
STOW OR CUT-BACK
UNUSED WIRES.



ITEM	QTY	PART NO.	DESCRIPTION
4	3	22152	DPDT MOMENTARY TOGGLE SWITCH
3	1	19427	MALE INSERT - 10 + 1 POLE
2	1	19426	PLUG CASE - 10 + 1 POLE
1	1	22081	SPDT MOMENTARY TOGGLE SWITCH

TITLE
REPLACEMENT PARTS DRAWING & LIST

22060 PENDANT (STANDARD CONTROL)

DATE
12-10-13C

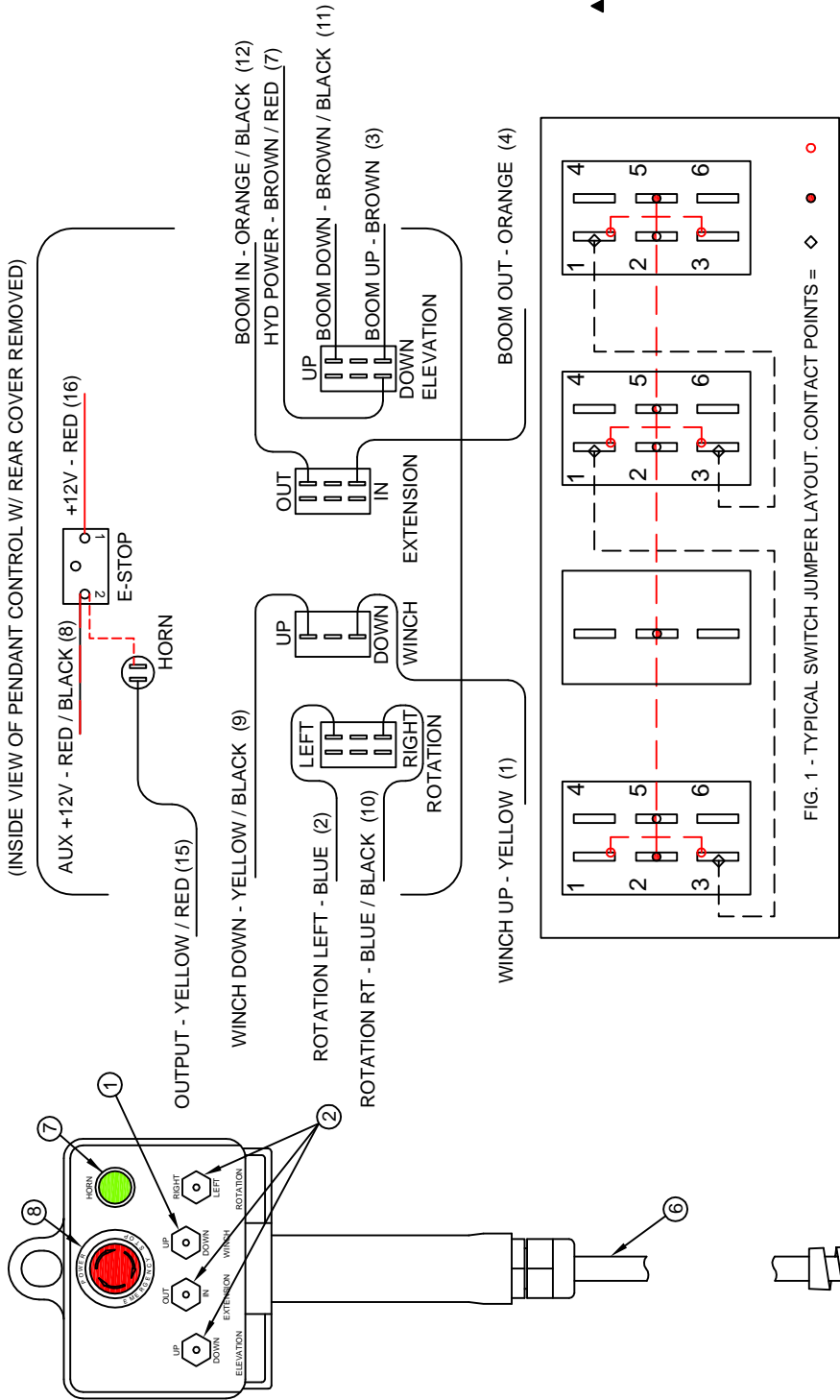
SUPERSEDES
09-28-12B

SECTION
C400

22076

VENTURO[®]
MANUFACTURING, INC.
CINCINNATI, OHIO

21990 PENDANT; 4 FUNCTION ET CRANES, E-STOP / HORN

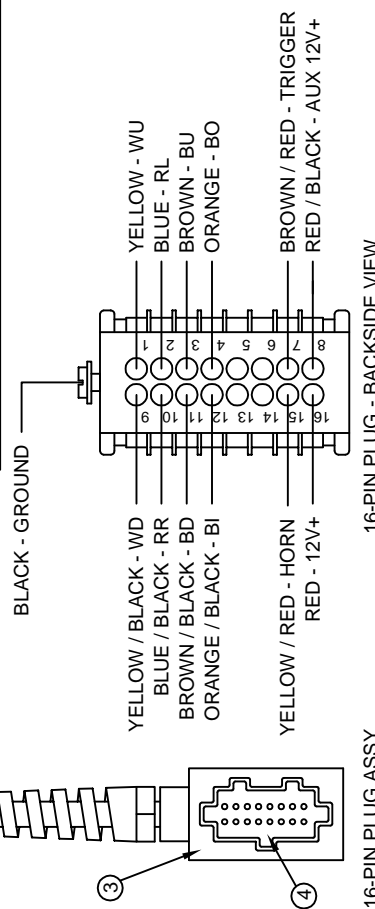


NOTE 1:
WIRE TERMINALS TO BE INSTALLED 'AFTER'
ROUTING REPLACEMENT CORD ASSY
THROUGH PENDANT HEAD AND PLUG
HOUSING.

NOTE 2:
STOW OR CUT BACK UNUSED WIRES.

MODEL	STARTING S/N
ET8KX	73800
ET12KX	69800
ET16KX	170000
ET18KX	95900
ET25KX	125300
ET30KX	130300
ET36KXX	140300

ITEM	QTY	PART NO.	DESCRIPTION
8	1	22156	SWITCH; E-STOP
7	1	22155	SWITCH; PUSHBUTTON, HORN
6	1	22135	KIT; REPLACEMENT CORD ASSY
5	-	-	-
4	1	22472	INSERT; MALE, 16 + 1 POLE
3	1	22471	PLUG CASE; 16 + 1 POLE
2	3	22152	SWITCH; DPDT, MOMENTARY
1	1	22081	SWITCH; SPDT, MOMENTARY



VENCO VENTURO INDUSTRIES LLC
CINCINNATI, OHIO

TITLE
REPLACEMENT PARTS DWG & LIST

DATE
10-20-14A

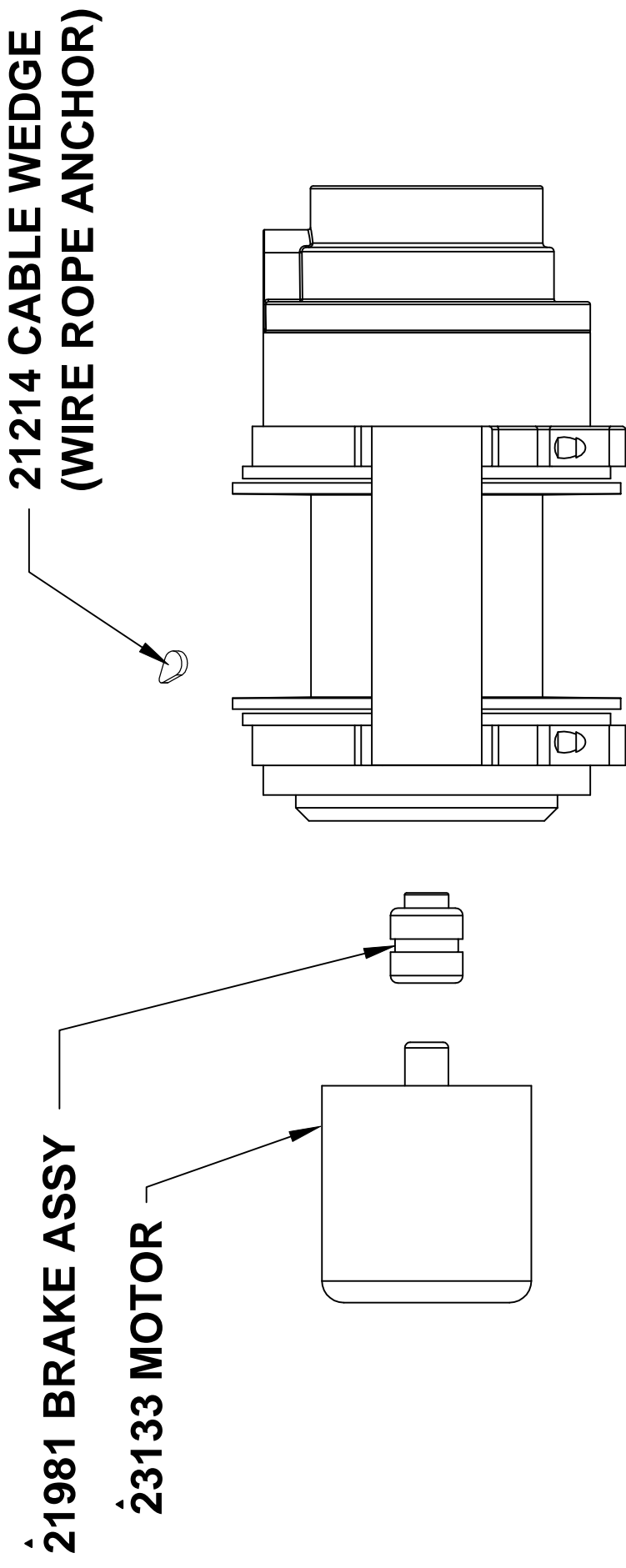
SECTION
C400

21990 PNDNT; 4 FNCTN ET CRNS, ESTP/HRN

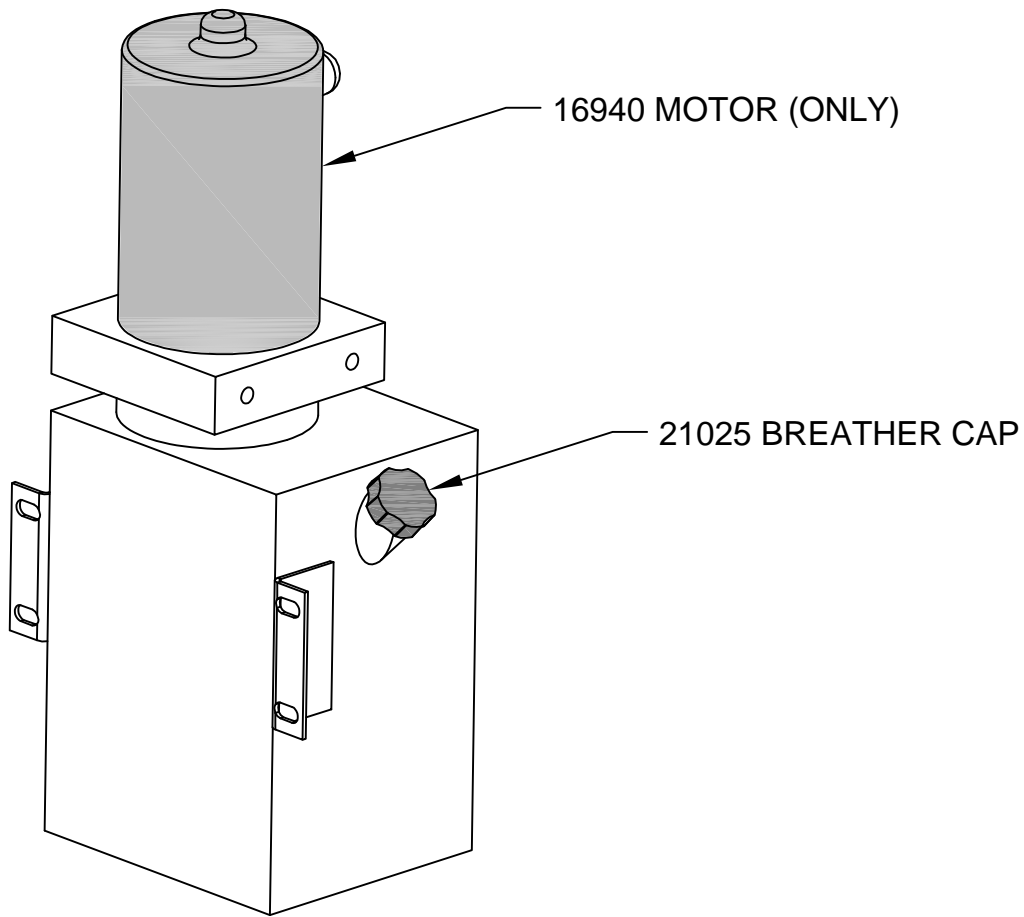
SUPPERSEDES
10-03-14

23075

21556 WINCH REPLACEMENT PARTS



20873 HYDRAULIC POWER UNIT (H.P.U.)



NOTE:
HYDRAULIC POWER UNIT SETTINGS ARE AS FOLLOWS:

- ▲ ET8/12K(X) PRESSURE = 2600 PSI



VENCO VENTURO INDUSTRIES LLC
CINCINNATI, OHIO

TITLE

H.P.U. RPLCMNT PARTS

DATE

01-26-15B

SECTION

C400

ET8/12K(X) ▲

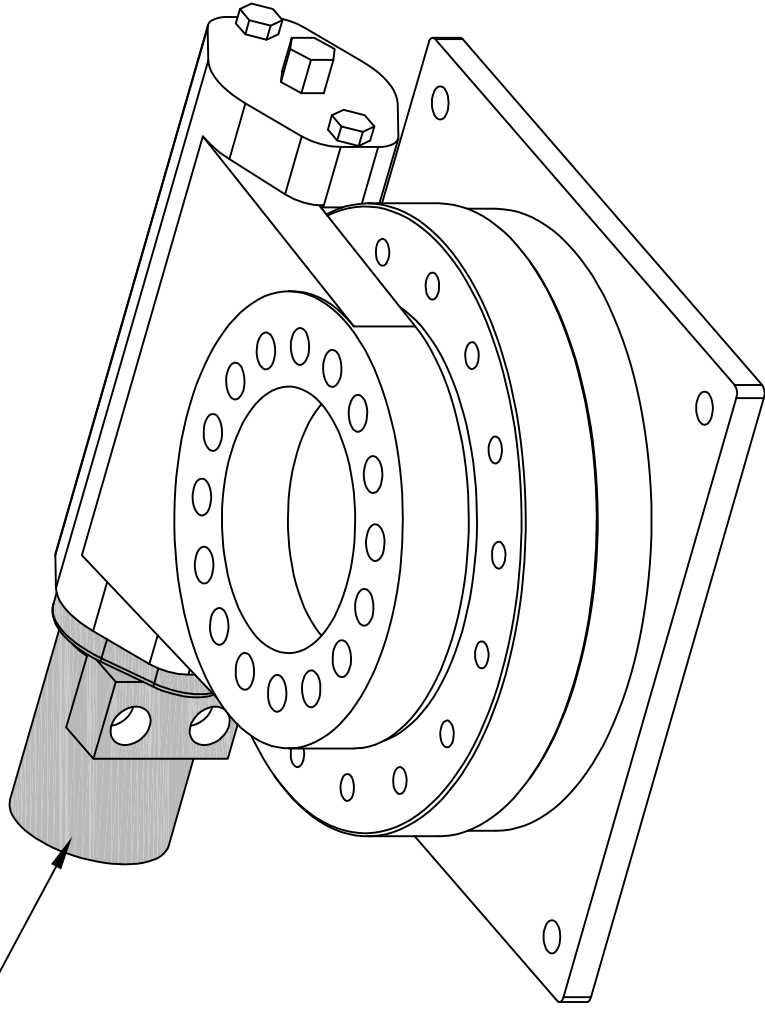
SUPERSEDES

12-27-13A

16942

21735 SLEWING SYSTEM REPLACEMENT PARTS

21123 MOTOR (ONLY)



21218 - MOTOR SEAL KIT



VENCO VENTURO INDUSTRIES LLC
CINCINNATI, OHIO

TITLE

SLEWING SYSTEM REPLACEMENT PARTS

ET8/12K & ET8/12/16/18KX ▲

DATE

10-23-14B

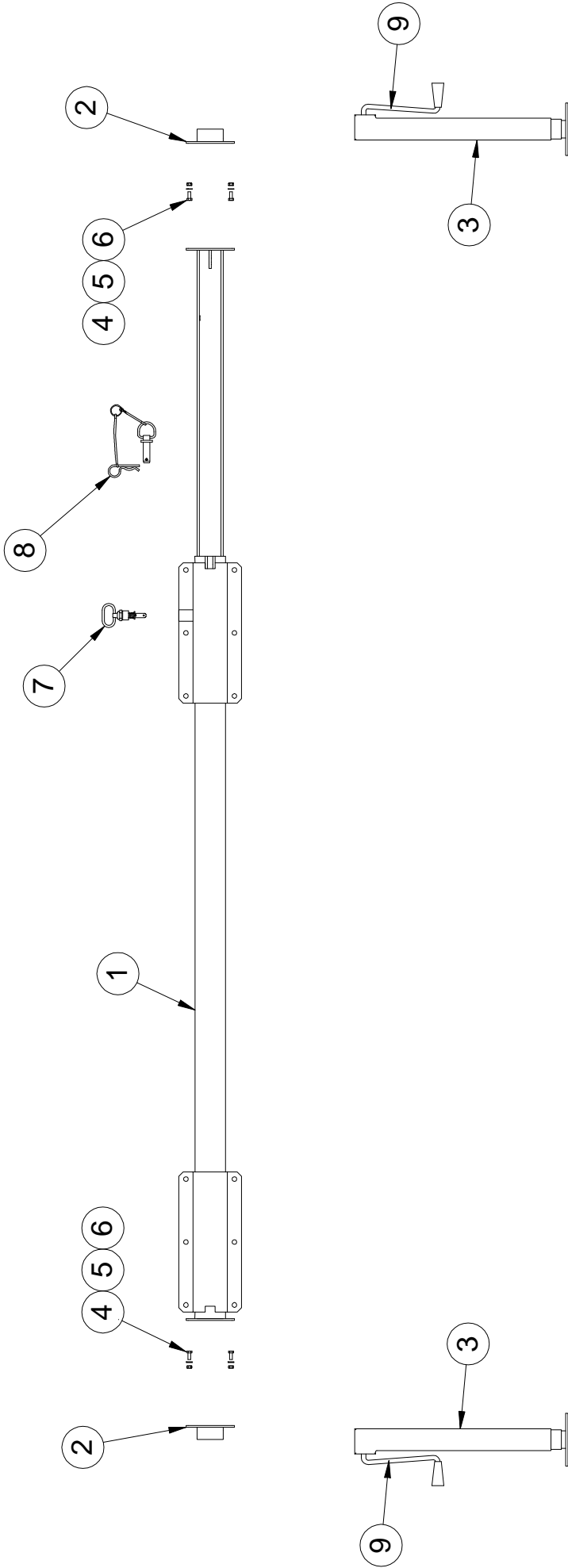
SUPERSEDES

12-27-13A

SECTION

C400

21973



9	2	18586-HANDLE	HANDLE, CRANK-DOWN LEG
8	1	24981	STABILIZER SECURITY PIN
7	1	18520	SPRING LOADED ASSEMBLY
6	8	!LWSH-031	LOCKWASHER - 5/16
5	8	!HNUT-03118	HEX NUT - 5/16-18
4	8	!HHCS03118075	HEX HEAD CAP SCREW - 5/16-18 X 3/4" LONG
3	2	18586	CRANKDOWN LEG
2	2	18587	CRANKDOWN LEG ADAPTER
1	1	18501	TUBE - STABILIZER ASSEMBLY
ITEM	QTY	PART NO	DESCRIPTION

TITLE

REPLACEMENT PARTS DRAWING & LIST

DATE

12-27-13D

SECTION

C400

SUPERSEDES

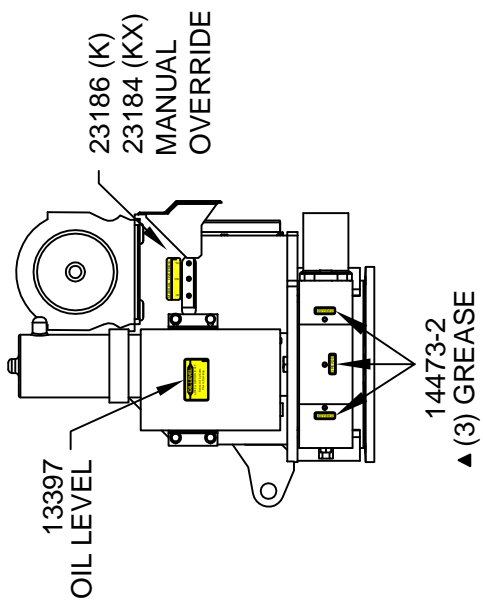
07-28-10C

22689

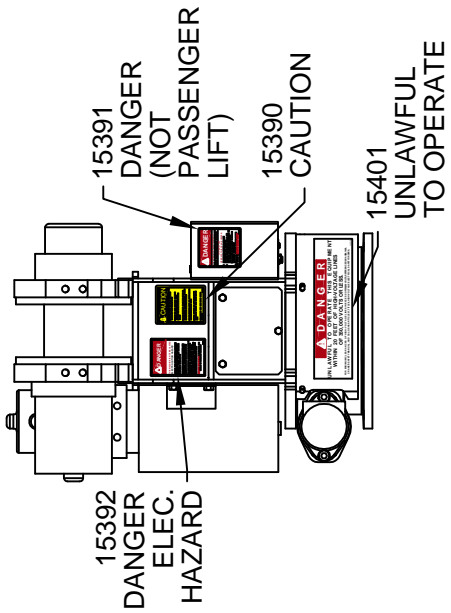
MANUFACTURING, INC.
CINCINNATI, OHIO



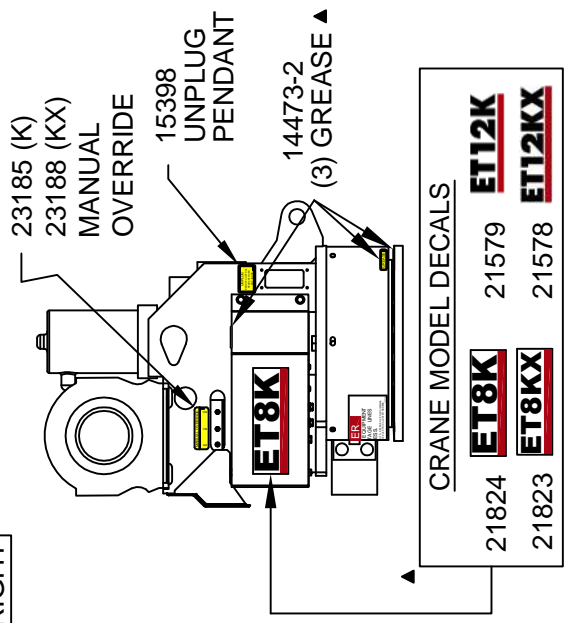
LEFT



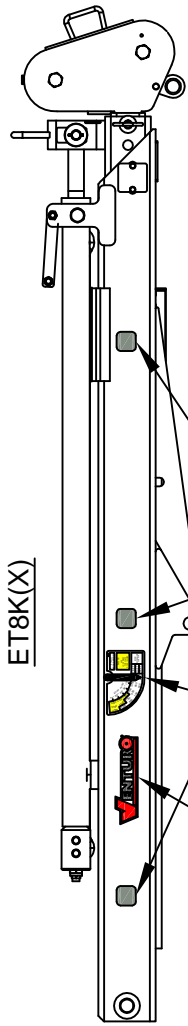
BACK



RIGHT



ET8K(X)



▲ 17389-4 SMALL VENTURO

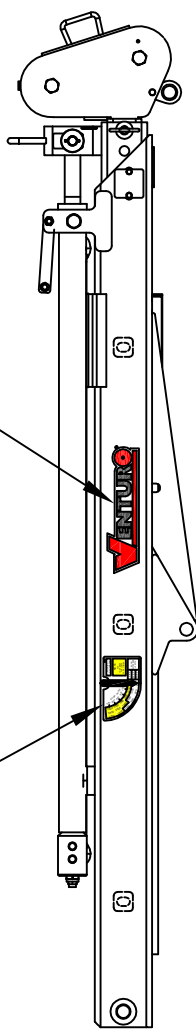
▲ ET12K(X)

CAPACITY	DECAL	MODEL	PART NO.
	RIGHT	ET12K(X)	21576
	LEFT	ET12K(X)	21577

CAPACITY	DECAL	MODEL	PART NO.
	RIGHT	ET8K(X)	21702
	LEFT	ET8K(X)	21703

▲ BOOM

▲ ET12K = 17389-4 SMALL VENTURO
ET12KX = 17389 MEDIUM VENTURO



VENCO VENTURO INDUSTRIES LLC
CINCINNATI, OHIO

TITLE
DECAL PLACEMENT

ET8/12K(X)

DATE
04-09-15E

SUPERSEDES
09-09-13D

SECTION
C400

21822

ET12K(X) FIELD SERVICE LABEL KITS

▲ 21586; FIELD SERVICE LABEL KIT, ET12KX

PART NO.	QTY.	DESCRIPTION
14473-2	6	DECAL; GREASE
17389	2	DECAL; VENTURO LOGO, MEDIUM
21576	1	DECAL; BOOM CAPACITY, RIGHT, ET12K(X)
21577	1	DECAL; BOOM CAPACITY, LEFT, ET12K(X)
21578	1	DECAL; MODEL, ET12KX
13397	1	DECAL; OIL LEVEL
23188	1	DECAL; MANUAL OVERRIDE, RIGHT
23184	1	DECAL; MANUAL OVERRIDE, LEFT
17813	1	DECAL; OVERLOAD SENSING SYSTEM
21604	1	FIELD SERVICE LABEL KIT LIST
21822	1	IDWG; DECAL PLACEMENT
INST-23233	1	SAFETY MANUAL, VENTURO CRANES
15397	1	KIT; FIELD SERVICE LABELS

▲ NOTE:

APPLICABLE SERIAL NUMBERS: 68900 - CURRENT

▲ 21587; FIELD SERVICE LABEL KIT, ET12K

PART NO.	QTY.	DESCRIPTION
14473-2	6	DECAL; GREASE
17389-4	2	DECAL; VENTURO LOGO, SMALL
21576	1	DECAL; BOOM CAPACITY, RIGHT, ET12K(X)
21577	1	DECAL; BOOM CAPACITY, LEFT, ET12K(X)
21579	1	DECAL; MODEL, ET12K
13397	1	DECAL; OIL LEVEL
23185	1	DECAL; MANUAL OVERRIDE, RIGHT
23186	1	DECAL; MANUAL OVERRIDE, LEFT
17813	1	DECAL; OVERLOAD SENSING SYSTEM
21604	1	IDWG; FIELD SERVICE LABEL KIT LIST
21822	1	IDWG; DECAL PLACEMENT
INST-23233	1	SAFETY MANUAL, VENTURO CRANES
15397	1	KIT; FIELD SERVICE LABELS

▲ NOTE:

APPLICABLE SERIAL NUMBERS: 61500 - CURRENT

▲ 15397 ACCIDENT PREVENTION SIGNS

PART NO.	QTY.	DESCRIPTION
15390	1	DECAL; CAUTION, OPERATIONS
15391	1	DECAL; DANGER, NOT PASSENGER LIFT
15392	1	DECAL; DANGER, ELECTRICAL HAZARD SIGN
15393	4	DECAL; DANGER, ELECTRICAL HAZARD
15394	1	APPLICATION INSTRUCTIONS
15398	1	DECAL; UNPLUG PENDANT
15401	1	DECAL; UNLAWFUL TO OPERATE
15513	1	DECAL; MASTER DISCONNECT
22317	1	DECAL SHEET; VENTURO, COMPLEMENTARY
20927	1	DECAL; CRANE STABILITY



VENCO VENTURO INDUSTRIES LLC
CINCINNATI, OHIO

TITLE

FIELD SERVICE LABEL KIT

ET12K(X) ▲

DATE

04-16-15E

SUPERSEDES

04-26-13D

SECTION

C400

21604



VENTURO CRANES LIMITED WARRANTY POLICY

Venturo products are built to last...we guarantee them.

As a purchaser of any new Venturo product covered by warranty, you will receive 1 year of the most complete coverage available...and, at no added cost to you.

1-Year Limited Warranty Policy

This limited policy warrants new products of Venturo to be free from defects in material and workmanship for a period of one (1) year from date of original installation. OEM products or accessories purchased by Venturo as part of or offered with our product will carry the OEM manufacturer's respective warranty. Our warranty covers:

- ***Repair or replacement of product***
- ***Labor to repair or replace product***
- ***Freight to return and/or replace product***

We shall not be liable for any contingent liabilities arising out of the improper function of any products. Warranty shall become void if the product is improperly installed, modified, damaged, abused or used for application other than intended use. There is no warranty of merchantability, fitness for a particular purpose, warranty arising from course of dealing or usage of trade, or any other implied or expressed warranty, except as made specifically herein. This warranty supersedes all previous warranties, written or implied.

Warranty Claims

Venco Venturo Industries LLC will make a good faith effort for prompt correction or other adjustment with respect to any product, which proves to be defective after our inspection and within the warranty period. Before any repairs are attempted or before returning any product, your Venturo Distributor is required to obtain a warranty claim number. This number is necessary for any claim to be considered. To obtain a warranty claim number, Venturo requires the model and serial number. Only authorized Venturo Distributors can perform warranty. For the name and address of your local Venturo Distributor call the **Warranty Claim Department - 513-772-8448**.

WARNING - It is the responsibility of the installer to ensure the installation is completed according to the manufacturer's recommendations, ensure the ultimate user understands how to operate product in a safe manner, and understands the need for regular service and maintenance by an authorized Venturo Distributor. No modifications or alterations may be made to any Venturo product without the expressed written consent of Venco Venturo Industries LLC. Installation of any Venturo product must be done by an authorized Venturo Distributor, to the standards of the industry; including maintenance, service and affixing of all instruction, safety and warning decals. Users should be instructed as to the safe operation at time of delivery. Maintenance, service, operation and safety warning decals are available on request from Venco Venturo Industries LLC.

VENCO VENTURO INDUSTRIES LLC
12110 BEST PLACE | CINCINNATI, OHIO 45241
P: 800-226-2238 | F: 513-326-5427
www.venturo.com