

TABLE OF CONTENTS

ET25KX INSTRUCTION MANUAL

SECTION 100	DESCRIPTION & SPECIFICATIONS
19399a	ET25KX SPECIFICATIONS & OPERATING FEATURES
19399b	ET25KX SPECIFICATIONS & OPERATING FEATURES
19397	INSTALLATION DIMENSIONS - ET25KX
I19233	CAPACITY CHART - ET/HT25K(X) 10-16-20 FT
17089	TYPICAL REINFORCEMENT FOR MOUNTING CRANE ON TOP OF SERVICE BODY
I23960	INSTALLATION DIMENSIONS - 23960 MANUAL OUTRIGGER FOLD AWAY TYPE
I23961	INSTALLATION DIMENSIONS - 23961 MANUAL OUTRIGGER SIDE BRACKET
I23962	INSTALLATION DRAWING - 23962 OUTRIGGER SERIES
22458	INSTALLATION DIMENSIONS - 23962-P-II & 23962-PM-II MANUAL OUTRIGGER
22459	INSTALLATION DIMENSIONS - 23962-CD-II CRANKDOWN OUTRIGGERS
22429	INSTALLATION DIMENSIONS - 23962-PH-II HYDRAULIC OUTRIGGERS
19411	INSTALLATION DRAWING - 17350 MOUNTING PEDESTAL
14510	INSTALLATION DRAWING - 17350 MOUNTING PEDESTAL
SECTION 150	SAFETY
15394	VEHICLE & CRANE ELECTRICAL HAZARD INFORMATION
850711	SAFETY & HAZARDS - GENERAL
SECTION 200	INSTALLATION
711105	CABLE & BATTERY REQUIREMENTS - ET AND HT CRANES
15660	BATTERY CABLE INSTALLATION DRAWING
I24600	ET25K(X) ELECTRICAL INSTALLATION
I25600	INSTALLATION DRAWING - 25600 WIRING KIT
I25618	INSTALLATION DRAWING - PENDANT CORD SUPPORT
711006	WIRE ROPE SPECIFICATIONS
20420	INSTALLATION DRAWING - 20381 ADJUSTABLE BOOM REST - ET/HT25 HT40/50
SECTION 300	MAINTENANCE & SERVICE
16510	ET25K(X) LUBRICATION CHART
780906	MINIMUM VOLTAGE TEST
24499-8	ET25K(X) WINCH GEARBOX ASSEMBLY & SERVICE INSTRUCTIONS
24499-1	ET25K(X) WINCH GEARBOX ASSEMBLY & SERVICE INSTRUCTIONS
24499-9	ET25K(X) ROTATION GEARBOX ASSEMBLY & SERVICE INSTRUCTIONS
24499-2	ET25K(X) ROTATION GEARBOX ASSEMBLY & SERVICE INSTRUCTIONS
780607	ET25K(X) MOTOR INSTALLATION
SECTION 400	REPLACEMENT PARTS
19934	ET25KX REPLACEMENT PARTS DRAWING
19935	ET25KX REPLACEMENT PARTS LIST
19931	19893 - 10-20 FT BOOM ASSEMBLY
20197-2	19197-2 ANTI-TWO-BLOCK SYSTEM REPLACEMENT PARTS
I19095	ET25KX WIRING DIAGRAM WITH ANTI-TWO-BLOCK
17533	BATTERY & MOTOR CABLE DIAGRAM
19392	HYDRAULIC SYSTEM SCHEMATIC - ET25KX
19368	16780 SWIVEL TERMINAL ASSEMBLY REPLACEMENT PARTS
20161	REPLACEMENT PARTS - 4 FUNCTION PENDANT CONTROL
17383	REPLACEMENT PARTS - 4 FUNCTION PENDANT CONTROL
I17530	17530 WINCH POWER UNIT REPLACEMENT PARTS DRAWING
900617	17530 WINCH POWER UNIT REPLACEMENT PARTS LIST
17472	17471 ROTATION POWER UNIT REPLACEMENT PARTS DRAWING
900319	17471 ROTATION POWER UNIT REPLACEMENT PARTS LIST
19362	18440 HYDRAULIC POWER UNIT ASSEMBLY
19908	19886-1 EXTENSION CYLINDER
22434	REPLACEMENT PARTS - 23962-P-II MANUAL OUTRIGGER
22441	REPLACEMENT PARTS - 23962-CD-II CRANKDOWN OUTRIGGER
23962-2	INSTALLATION & REPLACEMENT PARTS - STUB OUTRIGGER



TITLE	DATE	SECTION
TABLE OF CONTENTS	7-23-01	-
ET25KX	SUPERCEDES	19932
	-	

SPECIFICATIONS AND OPERATING FEATURES

ET25KX-10/20

SPECIFICATIONS

12 VOLT BATTERY OPERATED

20,000 / 25,000 FT-LBS OVERTURNING MOMENT (Or as limited by truck stability)

MOMENT OVERLOAD ALARM SYSTEM

TELESCOPIC BOOM	10 / 20
BOOM HYD ELEVATION	-8° TO 75°
BOOM HYD EXT	10 - 16 FT OR 14 - 20 FT
BOOM MANUAL EXT	4 FT
CAPACITY	1050 LBS @ 20 FT REACH
	5000 LBS @ 3 TO 5 FT REACH
WIRE ROPE	5/16" DIA x 80 FT
PENDANT CORD LENGTH	25 FT

WINCH - 2500 LBS SINGLE LINE CAPACITY
With Automatic Load Brake

ELECTRIC HYDRAULIC BOOM ELEVATION

ELECTRIC HYDRAULIC BOOM EXTENSION & RETRACTION - 6 FT STROKE

CONTINUOUS POWER ROTATION - With Coast Limiting Brake

REMOTE CONTROL PENDANT

25 ft Straight Cord with Four Environmentally Sealed Toggle Switches Protected by a Guard

MASTER DISCONNECT SWITCH

OUTRIGGERS AVAILABLE

Side Bracket Type Outriggers

Fold Away Type Outriggers

Pullout Type Outrigger System



MFG., INC.
CINCINNATI, OHIO

TITLE
INSTALLATION DWG

ET25KX-10/20

DATE
10-13-99A

SUPERCEDES
10-28-97

SECTION
C120

19399a

OVERLOAD ALARM SYSTEM

THIS CRANE IS EQUIPPED WITH AN OVERLOAD ALARM SYSTEM.

- A. Overload alarm horn sounds if rated load is exceeded at any reach.
- B. If alarm sounds, RAISE Boom or LOWER Winch to remove overload.
- C. Always RAISE Boom slightly before lifting load - Warning system INOPERATIVE when cylinder is completely bottomed.
- D. Alarm can be tested by tying down Boom with winch cable and operating Boom UP or by raising Boom against UP limit stop.

NOTICE: ANSI Standards provide that rated load at any reach must not exceed 85% of the load that will overturn vehicle and must not exceed the load governed by structural and hydraulic competence. This alarm system has been installed as a safety feature to protect both the equipment and the operator.

WARRANTY VOID IF ALARM IS DISCONNECTED, READJUSTED, OR TAMPERED WITH.

CONTROL PRIORITY SYSTEM

As a built in safety feature the operator can perform only one major and one minor function at any one time. Major functions are rotation, winching up of a load, and elevating the boom. Minor functions are winching down, and lowering boom.

A. ORDER OF PRIORITIES

WINCH UP - First priority

BOOM IN AND OUT - Second priority

BOOM UP - Third priority

ROTATION LEFT AND RIGHT - Fourth priority

- B. BOOM DOWN and WINCH DOWN can be operated with any other function.

CABLE DRUM AND SHEAVE DIAMETERS

The drum on the ET20KX/25KX is 5-1/4" in diameter which is 18 times the 5/16" wire rope diameter as required by ANSI B30.15 Hydraulic Crane Standards. The cable sheaves are either 16 or 18 times the cable diameter which likewise conforms.

MISCELLANEOUS

A. WINCH BRAKE

Exclusive with the VENTURO Winch is the automatic thrust brake which adjusts to the load when lowering ("winch down") and offers no resistance when raising ("winch up").

B. ROTATION BRAKE

Rotation Motor brake limits Rotation coast after switch is turned off.

C. CAPACITY INDICATOR

Select boom reach and angle allowable for load by using capacity indicator arrow and chart on either side of boom.

D. BATTERY HOOKUP

A parallel auxiliary battery should be installed near the crane as shown on Dwg. I24600 under "RECOMMENDED INSTALLATION". The parallel auxiliary battery minimum rating should be 450 Cold Cranking Amps (at 0° F) and 100 reserve capacity, or 78 plates and 70 amp hours.



VENTURO
MFG., INC.
CINCINNATI, OHIO

TITLE
INSTALLATION DWG

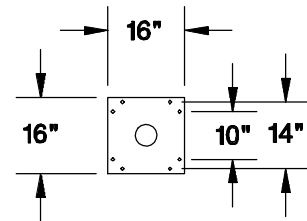
ET25KX-10/20

DATE
11-24-97A

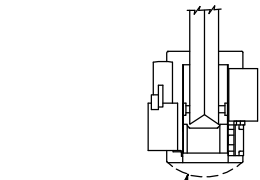
SUPERCEDES
10-28-97

SECTION
C120

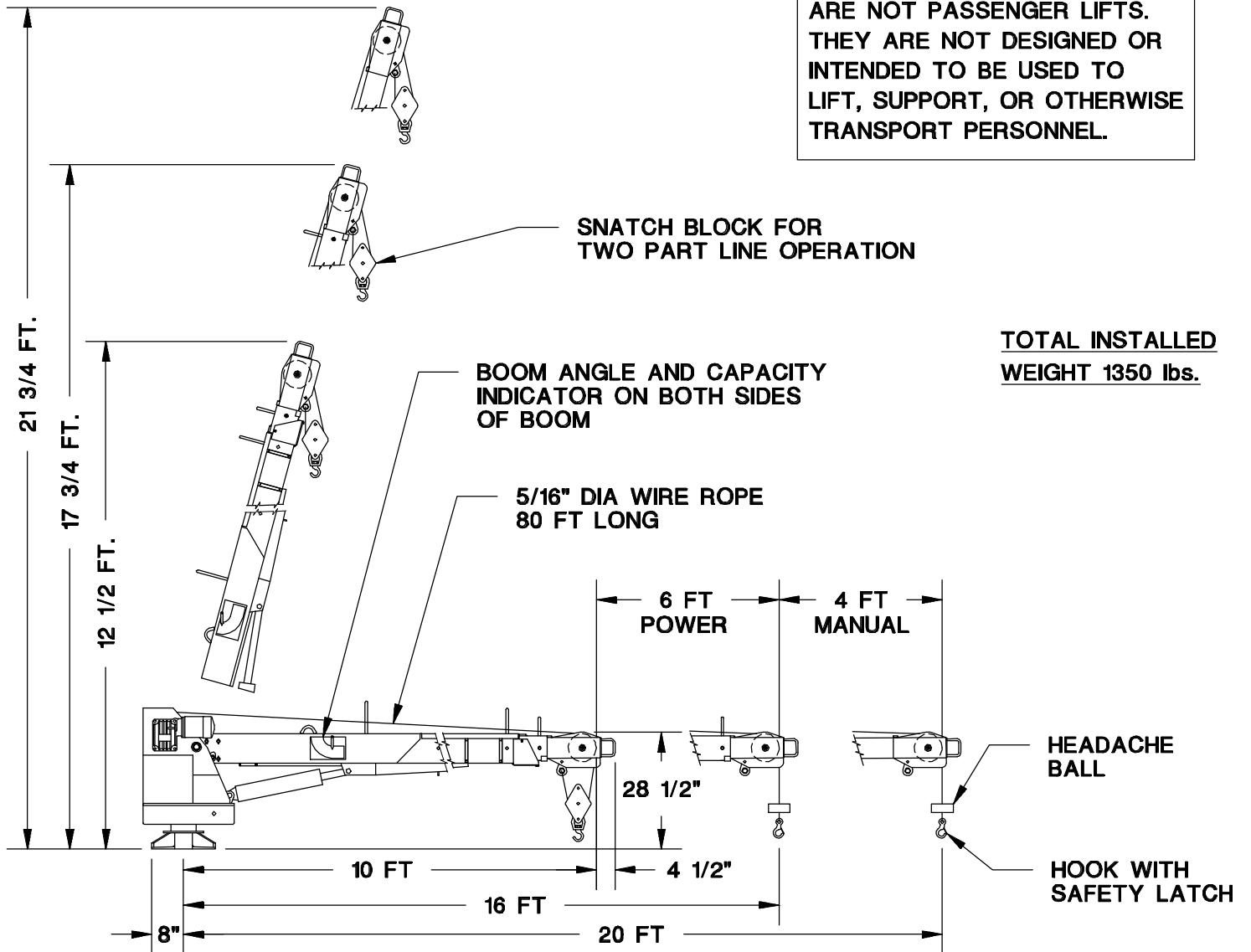
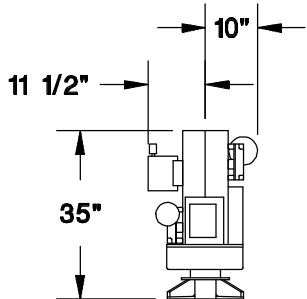
19399b



BASE MOUNTING DIMENSIONS



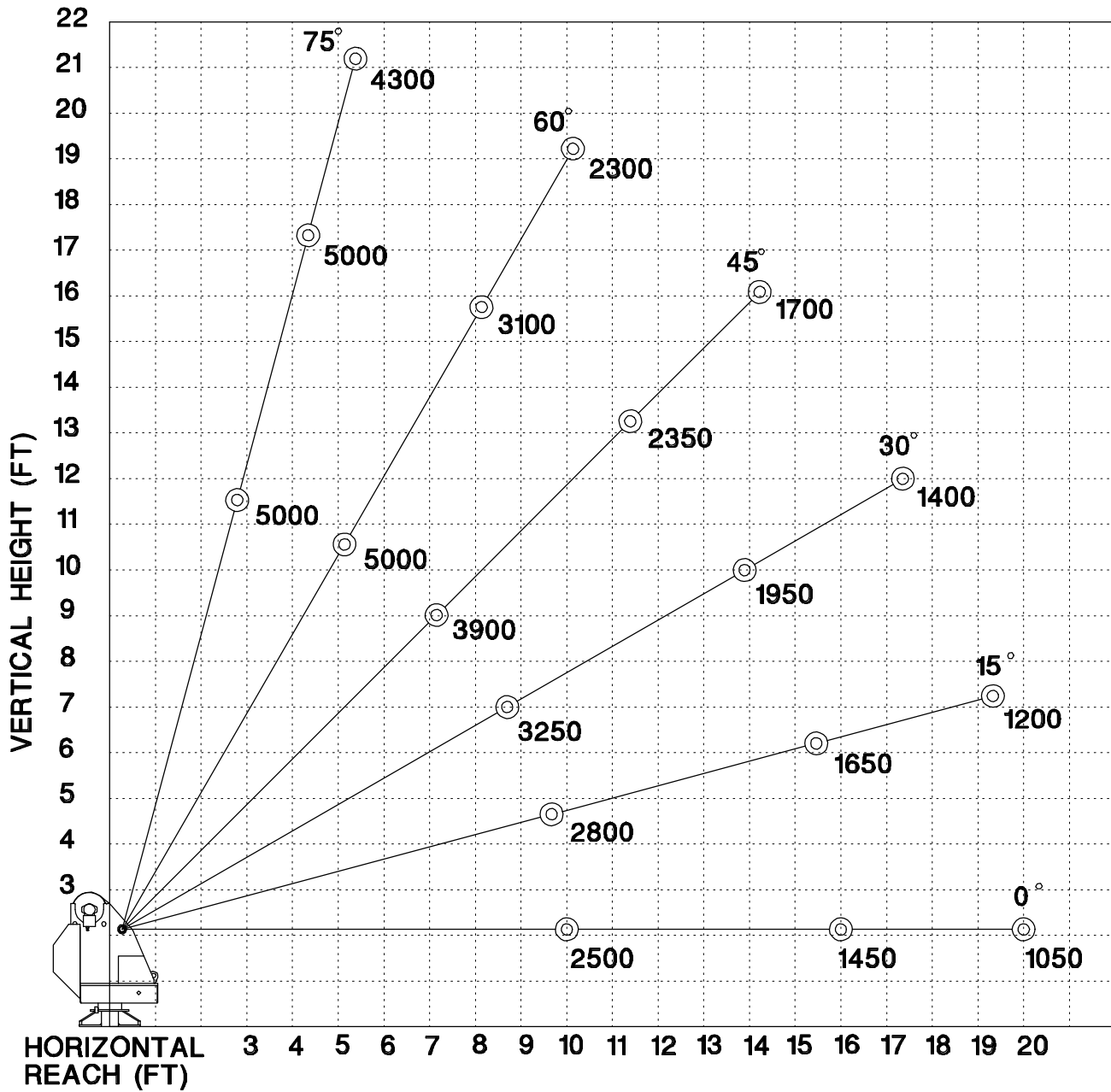
11 1/2" SWING RADIUS



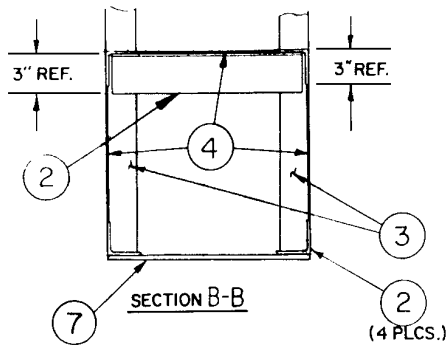
WARNING: THESE PRODUCTS ARE NOT PASSENGER LIFTS. THEY ARE NOT DESIGNED OR INTENDED TO BE USED TO LIFT, SUPPORT, OR OTHERWISE TRANSPORT PERSONNEL.

TOTAL INSTALLED WEIGHT 1350 lbs.

ET/HT25K(X) - 10-16-20 BOOM MAXIMUM CAPACITY CHART

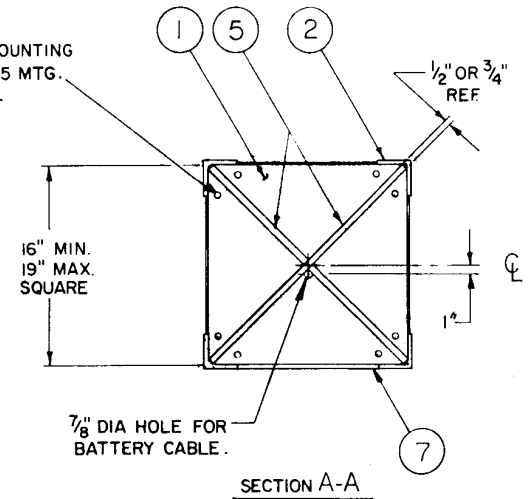
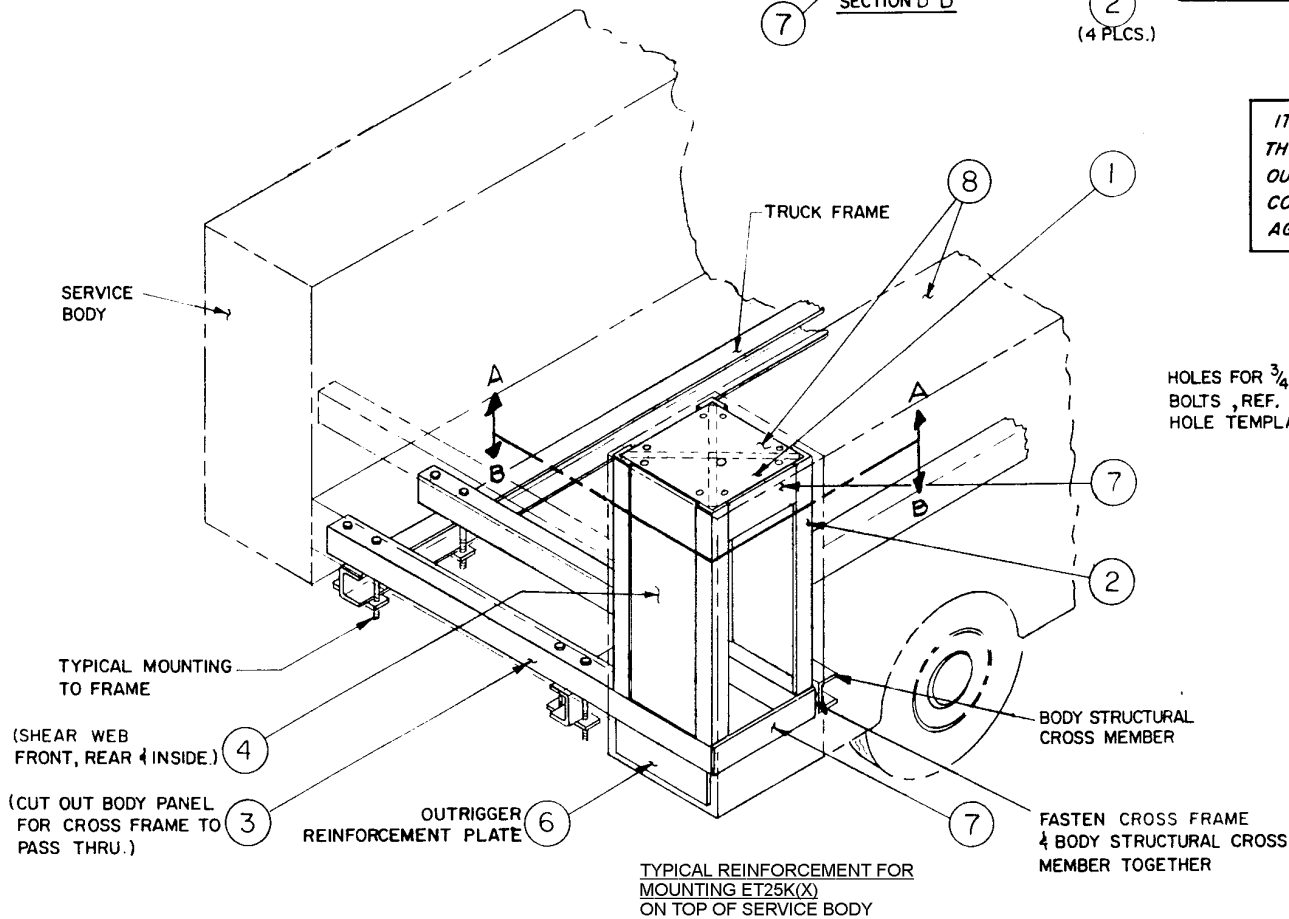


**MUST USE SNATCH BLOCK
FOR LOADS OF 2500 LBS.
AND GREATER**



PART	DESCRIPTION	MINIMUM RECOMMENDED MATERIAL SIZE
1	TOP PLATE	1/2" STEEL
2	CORNER POST	3" x 3" x 1/2" STEEL ANGLE
3	CROSS FRAME	4" x 4" x 5/16" SQUARE TUBING
4	SHEAR WEB	3/16" STEEL PLATE
5	TOP PLATE REINFORCEMENT	1/2" x 6" or 3/4" x 5" STEEL BAR
6	OUTRIGGER REINFORCEMENT PLATE	1/4" THICK STEEL PLATE
7	GUSSET	1/2" x 4" H.R. STEEL
8	BODY TOP REINFORCEMENT	10 Ga. SMOOTH or DIAMOND PLATE WITH 1" LIP OVER SIDE OF BODY

IT IS THE SOLE RESPONSIBILITY OF THE INSTALLER TO INSURE THAT THE TOTAL STRUCTURE OF CRANE, TRUCK, AND OUTRIGGERS ARE STRUCTURALLY SOUND AND THAT THE COMPLETED VEHICLE HAS SUFFICIENT STABILITY AGAINST OVERTURNING.



VENTURO

MANUFACTURING, INC.
CINCINNATI, OHIO

TITLE
INSTALLATION DRAWING

ET25K(X)

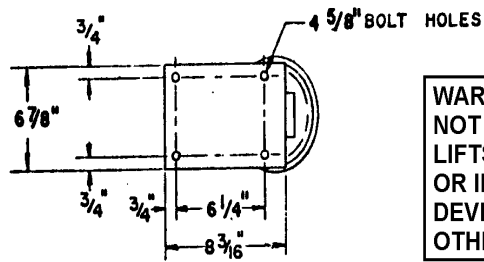
DATE
11-2-98B

SUPERCEDES
6-24-98A

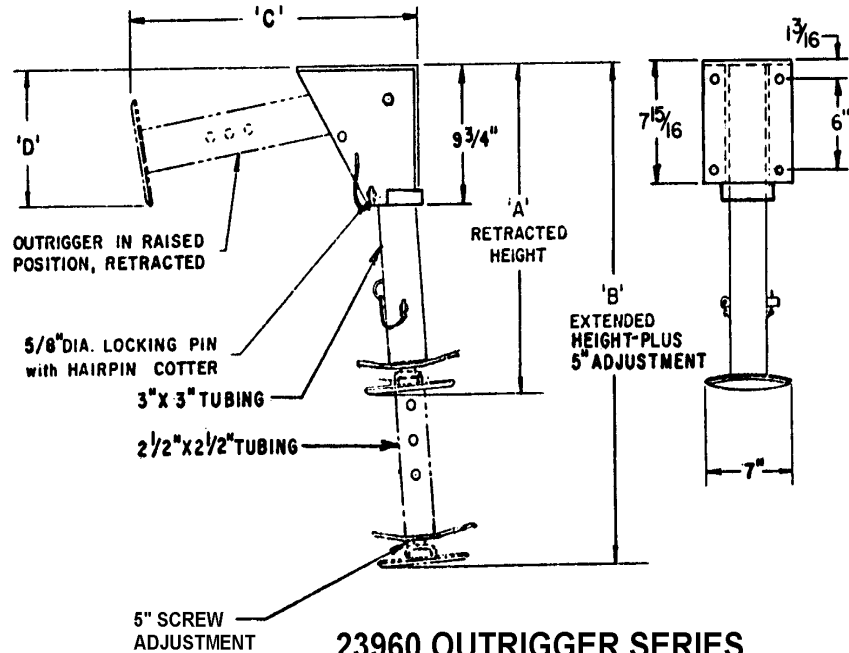
SECTION
C100

17089

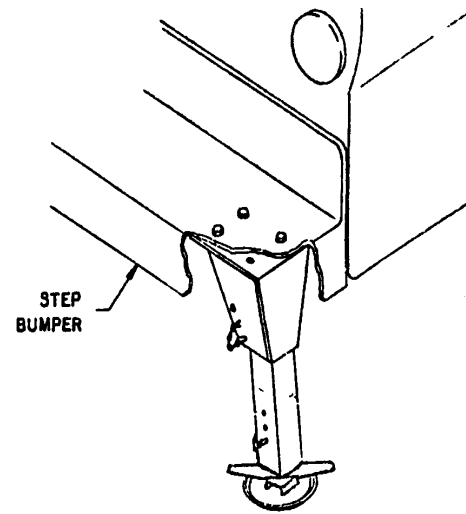
PART NO.	DESCRIPTION	'A'	'B'	'C'	'D'
23960-1	SHORT OUTRIGGER	20 1/2"	28 1/2"	21"	7 1/4"
23960-2	LONG OUTRIGGER	28 1/2"	44 1/2"	29"	10 1/2"



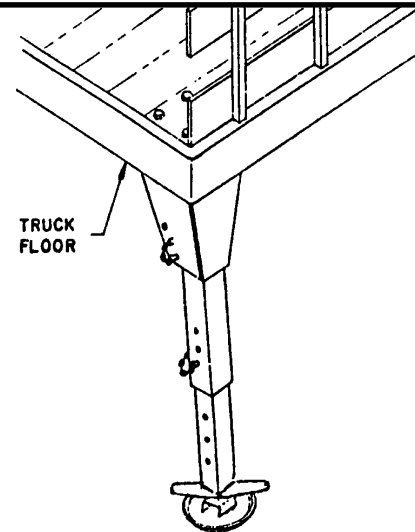
WARNING: THESE PRODUCTS ARE NOT FOR USE WITH PASSENGER LIFTS. THEY ARE NOT DESIGNED OR INTENDED TO BE USED WITH DEVICES THAT LIFT, SUPPORT OR OTHERWISE TRANSPORT PERSONNEL.



**23960 OUTRIGGER SERIES
ET/HT25 SERIES CRANES**



**TYPICAL SHORT
OUTRIGGER INSTALLATION**



**TYPICAL LONG
OUTRIGGER INSTALLATION**



MANUFACTURING, INC.
CINCINNATI, OHIO

TITLE
INSTALLATION DRAWING

ET10K(X), ET25K(X), HT25KX

DATE
4-29-98C

SUPERCEDES
7-27-83B

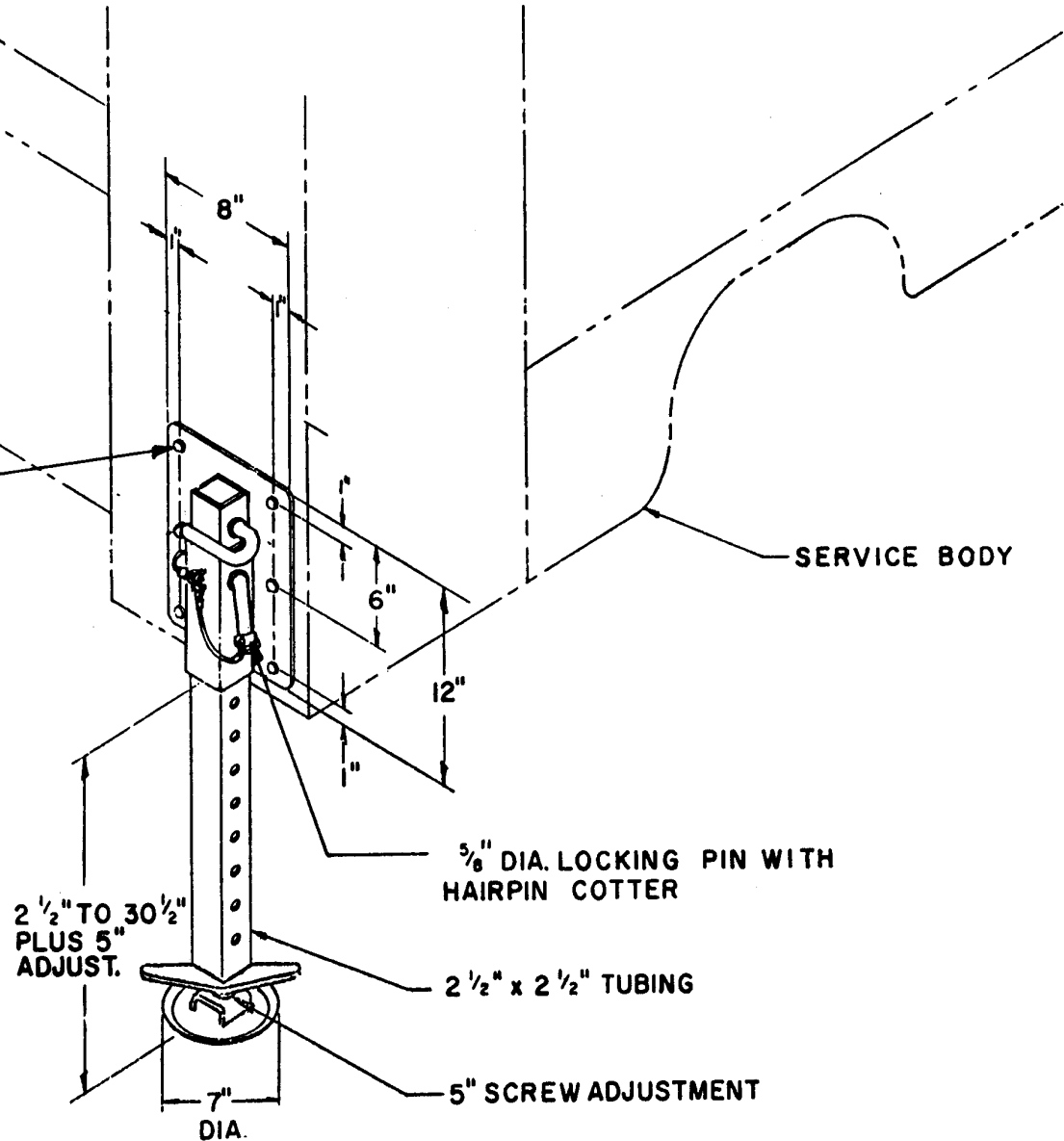
SECTION
C100

123960

WARNING: THESE PRODUCTS ARE NOT FOR USE WITH PASSENGER LIFTS. THEY ARE NOT DESIGNED OR INTENDED TO BE USED WITH DEVICES THAT LIFT, SUPPORT OR OTHERWISE TRANSPORT PERSONNEL

**TYPICAL INSTALLATION OF 23961
MANUAL OUTRIGGER ON TRUCK
WITH SERVICE BODY EQUIPPED
WITH ET/HT25 SERIES CRANES**

6 - 1/2" DIA. BOLT HOLES



SERVICE BODY

5/8" DIA. LOCKING PIN WITH HAIRPIN COTTER

2 1/2" x 2 1/2" TUBING

5" SCREW ADJUSTMENT

2 1/2" TO 30 1/2" PLUS 5" ADJUST.

7" DIA.



MANUFACTURING, INC.
CINCINNATI, OHIO

TITLE
INSTALLATION DRAWING

DATE
4-29-98D

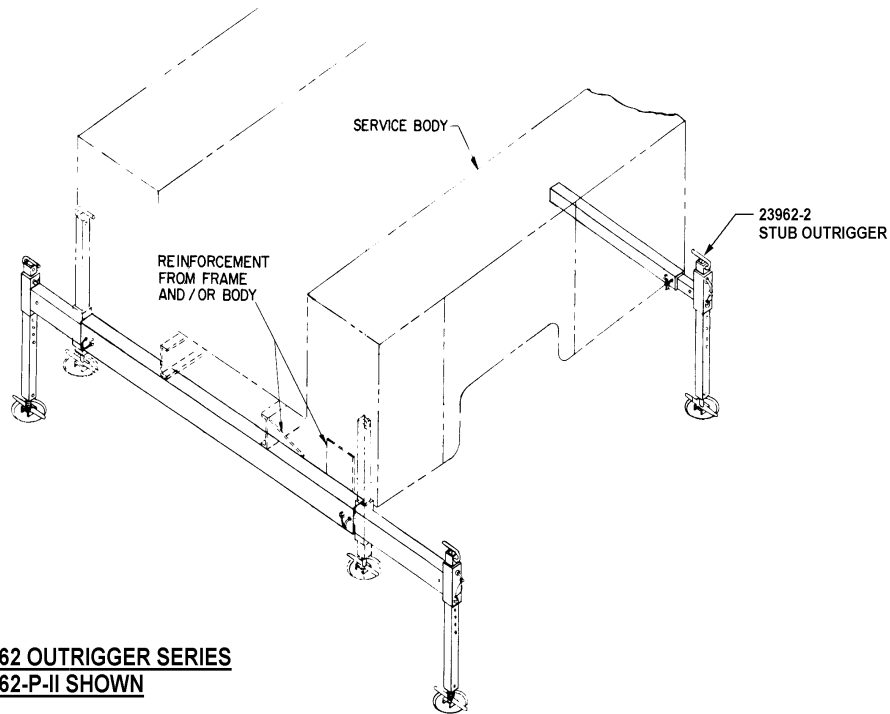
SECTION
C100

ET10K(X), ET25K(X), HT25KX

SUPERCEDES
7-27-83C

I23961

WARNING: THESE PRODUCTS ARE NOT FOR USE WITH PASSENGER LIFTS. THEY ARE NOT DESIGNED OR INTENDED TO BE USED WITH DEVICES THAT LIFT, SUPPORT OR OTHERWISE TRANSPORT PERSONNEL.



23962 OUTRIGGER SERIES
23962-P-II SHOWN

OUTRIGGER	IN/OUT	UP/DOWN	DUTY	USED ON
23962-P	MANUAL	MANUAL	STANDARD	ET/HT25K(X)
23962-PM	MANUAL	MANUAL	HEAVY	HT40/50KX
23962-CD	MANUAL	CRANK-DOWN	HEAVY	ET/HT25K(X), HT40/50KX
23962-PH	MANUAL	HYDRAULIC	HEAVY	HT25K(X), HT40/50KX
23962-PHX	HYDRAULIC	HYDRAULIC	HEAVY	HT25K(X), HT40/50KX
23962-PHE	MANUAL	ELECTRIC/HYDRAULIC	HEAVY	ET25K(X)
23962-PHXE	ELECTRIC/HYDRAULIC	ELECTRIC/HYDRAULIC	HEAVY	ET25K(X)



MANUFACTURING, INC.
CINCINNATI, OHIO

TITLE
INSTALLATION DRAWING

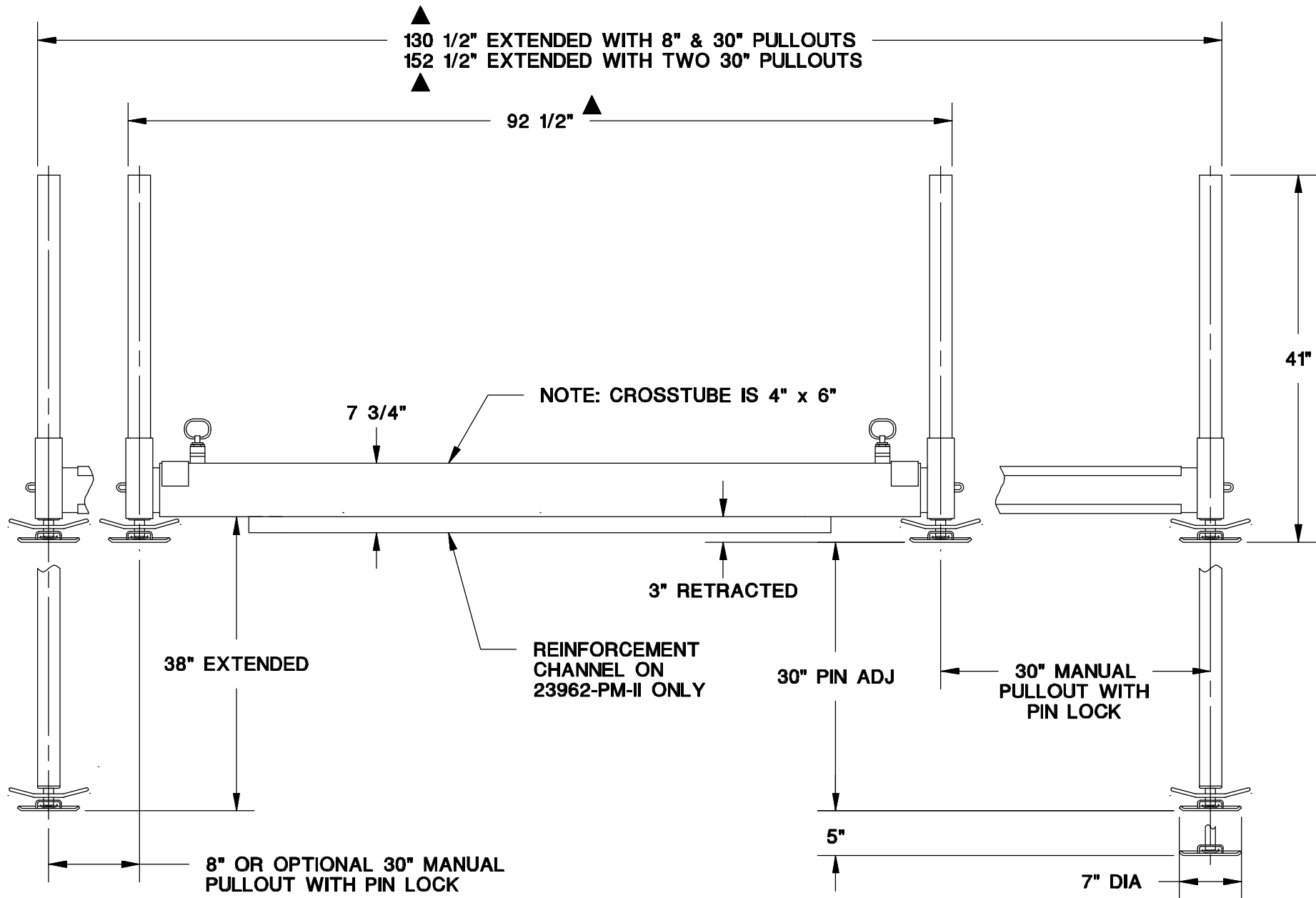
DATE
4-12-99E

SECTION
C120

ET25K(X), HT25K(X), HT40/50KX

SUPPERCEDES
4-27-92D

I23962



VENTURO MANUFACTURING, INC.
 CINCINNATI, OHIO

TITLE
 INSTALLATION DWG

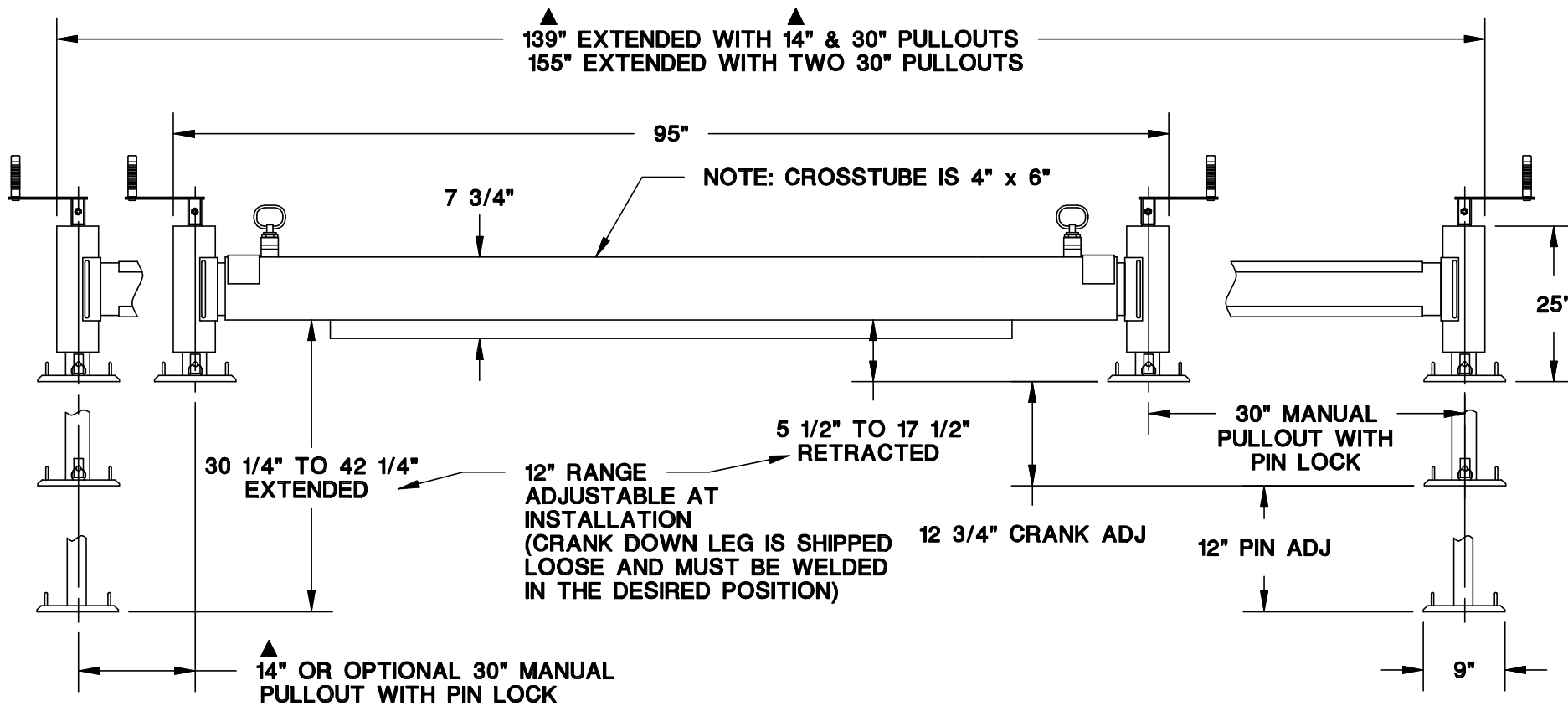
23962-P-II & 23962-PM-II MANUAL O.R.

DATE
 1-20-99B

SUPERSEDES
 10-16-97A

SECTION
 C100

22458



VENTURO MANUFACTURING, INC.
 CINCINNATI, OHIO

TITLE
 INSTALLATION DWG

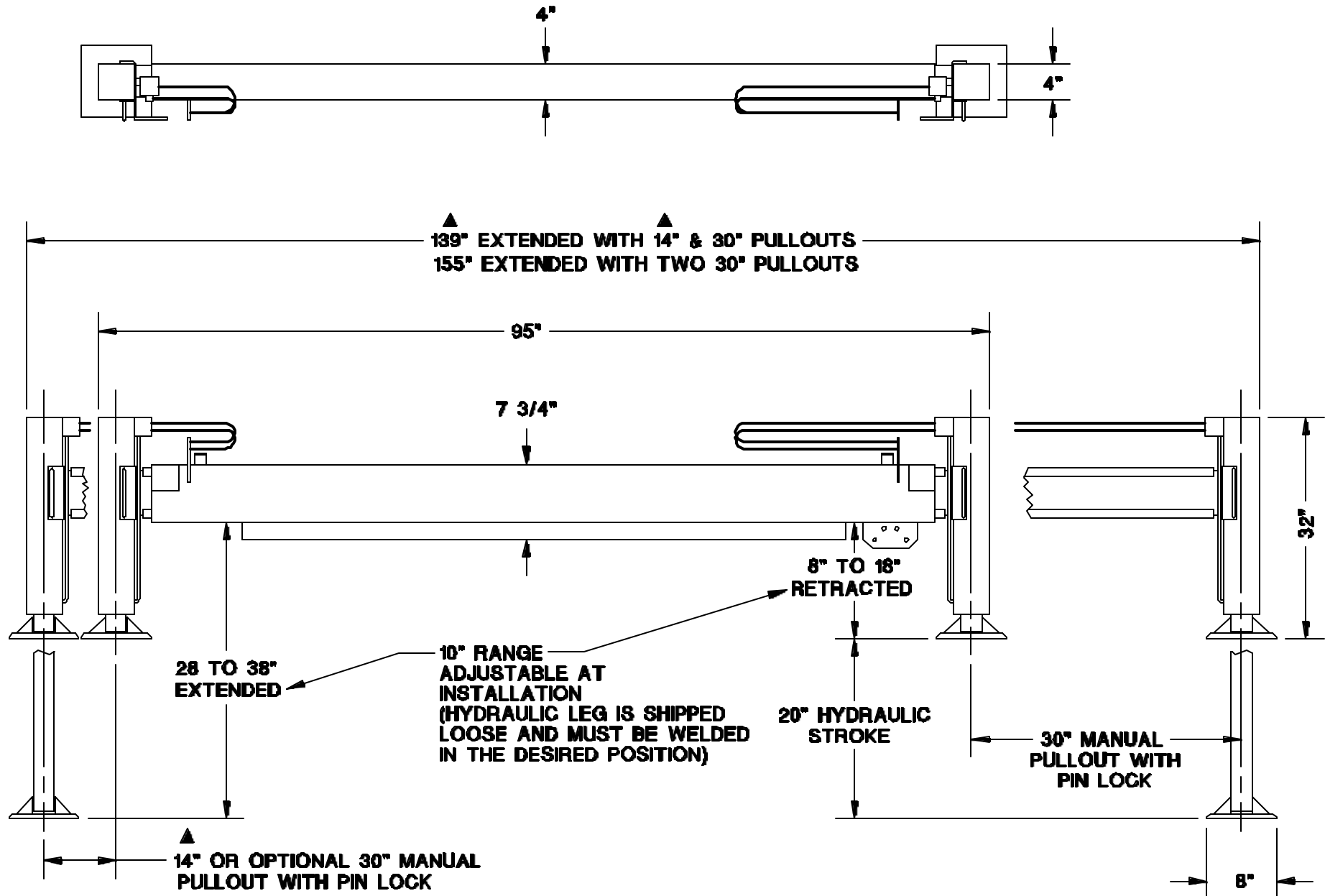
23962-CD-II CRANKDOWN OUTRIGGERS

DATE
 7-30-99D

SUPERSEDES
 1-19-99C

SECTION
 C100

22459



VENTURO MANUFACTURING, INC.
 CINCINNATI, OHIO

TITLE
INSTALLATION DWG

23962-PH-II (22403)

DATE
7-30-99C

SUPERSEDES
1-19-99B

SECTION
C100

22429

'A' DIM	17350 DASH NO.
36"	-36
CONSULT VENTURO FOR OTHER (OPTIONAL) HEIGHTS	

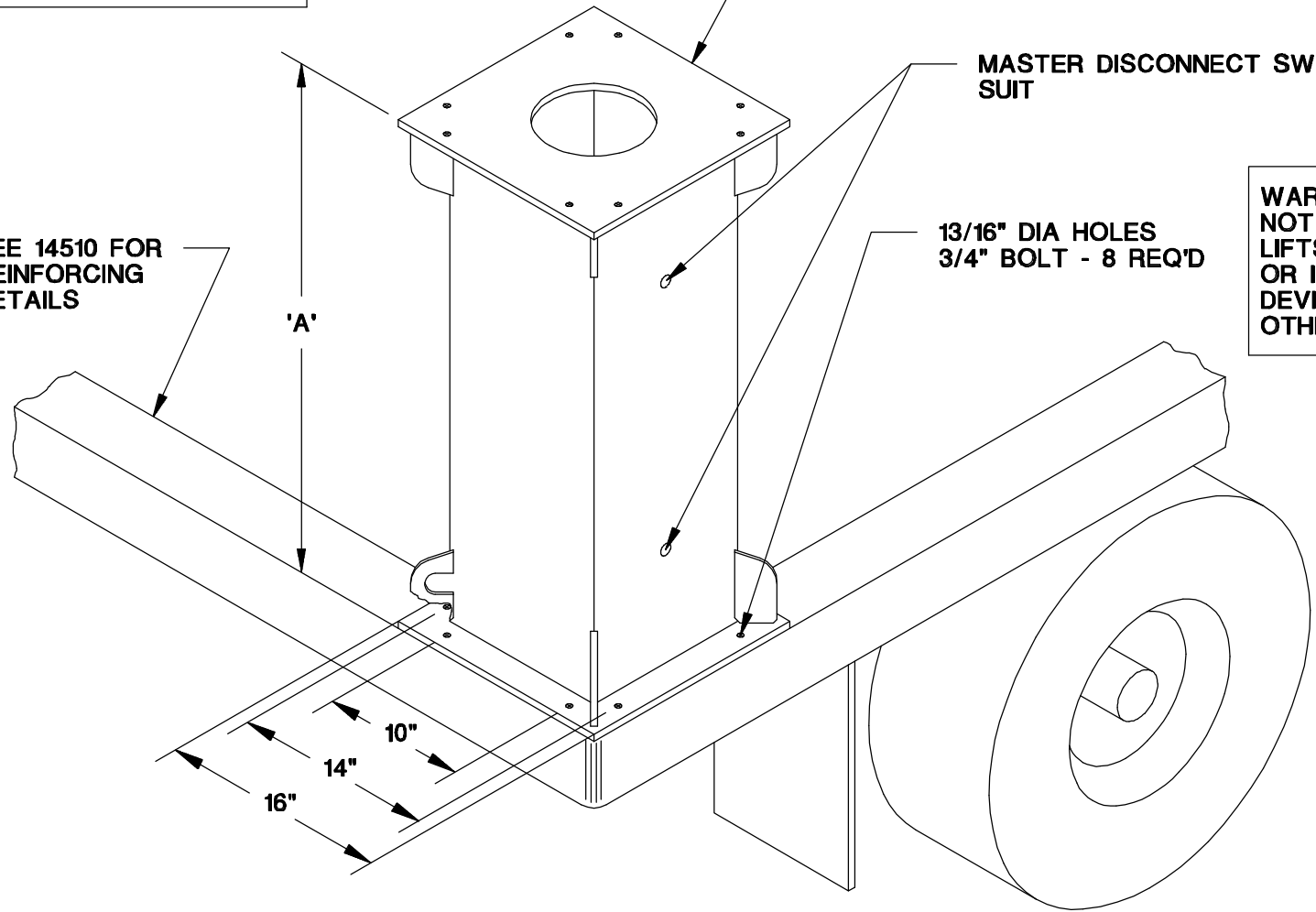
17350 PEDESTAL SHOWN MOUNTED ON RIGHT REAR
CORNER OF FLAT BED AS TYPICAL OF POSSIBLE
MOUNTING POSITIONS; MAY ALSO BE MOUNTED
BEHIND CAB.

MASTER DISCONNECT SWITCH - LOCATION TO
SUIT

13/16" DIA HOLES
3/4" BOLT - 8 REQ'D

SEE 14510 FOR
REINFORCING
DETAILS

**WARNING: THESE PRODUCTS ARE
NOT FOR USE WITH PASSENGER
LIFTS. THEY ARE NOT DESIGNED
OR INTENDED TO BE USED WITH
DEVICES THAT LIFT, SUPPORT OR
OTHERWISE TRANSPORT PERSONNEL.**



**17350
MOUNTING PEDESTAL**

VENTURO MANUFACTURING, INC.
CINCINNATI, OHIO

TITLE
INSTALLATION DRAWING

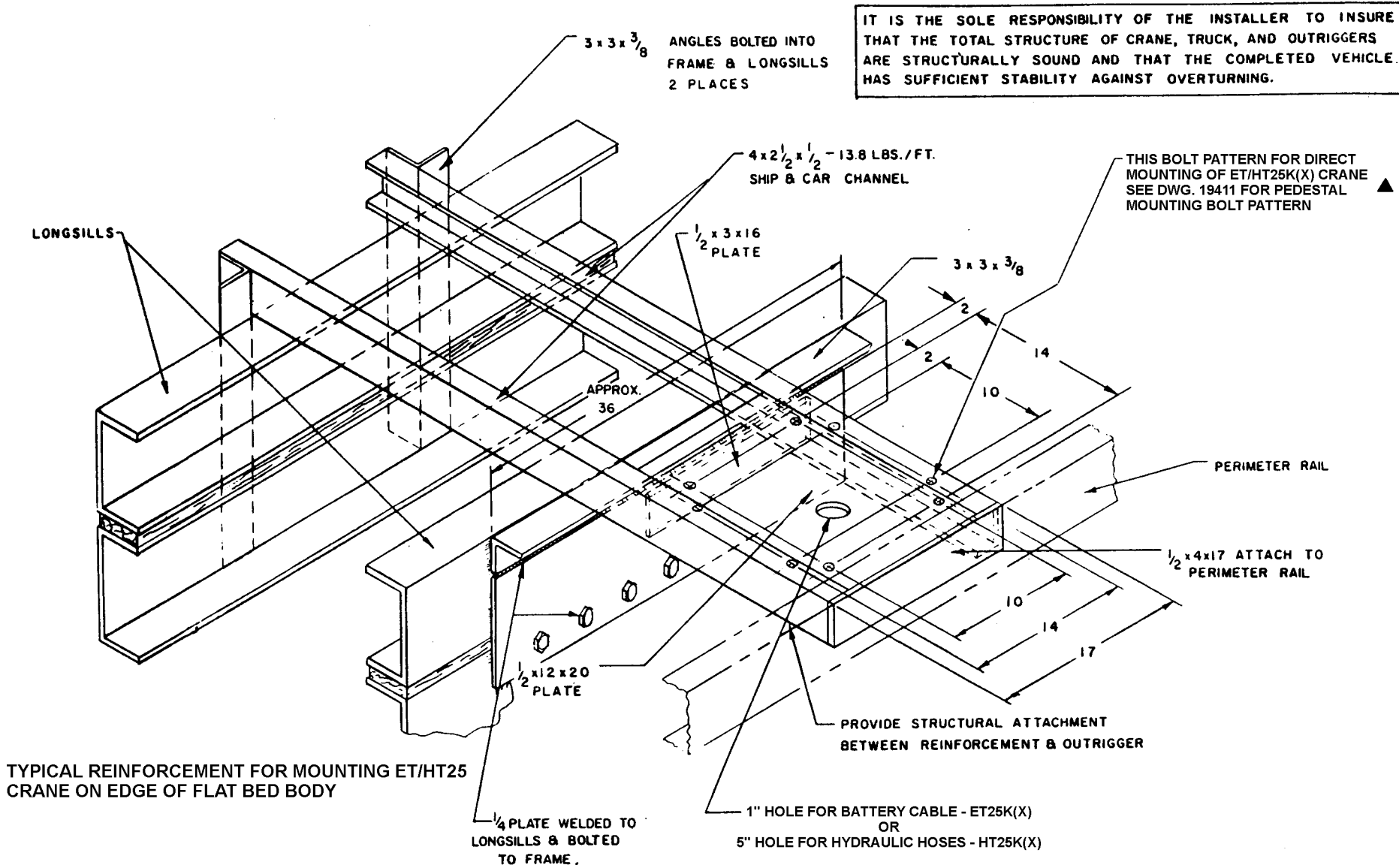
DATE
11-5-97

SECTION
C100

ET/HT25K(X)

SUPERSEDES
-

19411



TYPICAL REINFORCEMENT FOR MOUNTING ET/HT25 CRANE ON EDGE OF FLAT BED BODY



MANUFACTURING, INC.
CINCINNATI, OHIO

TITLE
INSTALLATION DRAWING

DATE
4-8-99K

SECTION
C100

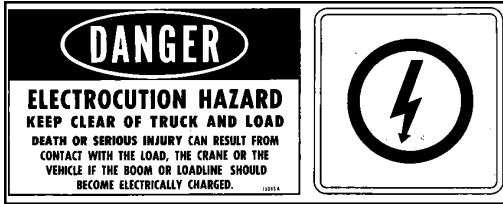
ET25K(X), HT25K(X)

SUPERCEDES
11-2-98J

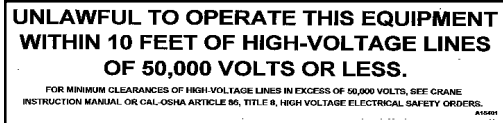
14510

VEHICLE & CRANE MOUNTED ELECTRICAL HAZARD SIGN APPLICATION & INFORMATION

ET & HT CRANE SERIES



SIGN NO. 15393A DISPLAYS THE INTERNATIONAL SYMBOL FOR ELECTRICITY AND WARNS OF DANGER FROM AN ELECTRICALLY CHARGED VEHICLE, CRANE, OR LOAD. FOUR ARE RECOMMENDED (ONE FOR EACH SIDE AND ONE FOR EACH END OF VEHICLE) TO BE APPLIED IN LOCATIONS WHICH ARE READILY VISIBLE TO GROUND PERSONNEL.



SIGN NO. 15401 PROVIDES ADDITIONAL WARNING OF LEGAL REQUIREMENTS WHEN OPERATING NEAR HIGH VOLTAGE LINES. THIS SIGN IS PLACED ON THE CONTROL PENDANT SIDE OF BOOM.

REQUIRED MINIMUM CLEARANCES REFERRED TO ON SIGN NO. 15401

REQUIRED CLEARANCES FROM OVERHEAD HIGH-VOLTAGE LINES

NOMINAL VOLTAGE (kV) (PHASE TO PHASE)	MINIMUM REQUIRED CLEARANCE (FEET) *
0 - 50	10
over 50 - 200	15
over 200 - 350	20
over 350 - 500	25
over 500 - 750	35
over 750 - 1000	45

REQUIRED CLEARANCES FROM ENERGIZED HIGH-VOLTAGE CONDUCTORS (WHILE IN TRANSIT)

NOMINAL VOLTAGE (kV) (PHASE TO PHASE)	MINIMUM REQUIRED CLEARANCE (FEET) *
0 - 0.75	4
over 0.75 - 50	6
over 50 - 345	10
over 345 - 750	16
over 750 - 1000	20

* NOTE: ENVIRONMENTAL CONDITIONS SUCH AS FOG, SMOKE, OR PRECIPITATION MAY REQUIRE INCREASED CLEARANCES



TITLE INSTALLATION DWG	DATE 5-13-97G	SECTION C150
ET & HT CRANE SERIES	SUPERCEDES 7-15-96F	15394

CRANE SAFETY AND HAZARDS

ET5500MPB/R, ET6KMPB/R, ET8100R, ET10K(X), ET25K(X)

CAUTIONS

1. INSPECT VEHICLE AND CRANE, INCLUDING OPERATION, PRIOR TO USE DAILY.
2. DO NOT USE THIS EQUIPMENT EXCEPT ON SOLID, LEVEL SURFACE WITH CRANE MOUNTED ON FACTORY-RECOMMENDED TRUCK.
3. BEFORE OPERATING THE CRANE, REFER TO MAXIMUM LOAD (CAPACITY) CHART ON CRANE FOR OPERATING (LOAD) LIMITATIONS.
4. DO NOT OPERATE, WALK, OR STAND BENEATH BOOM OR A SUSPENDED LOAD.
5. ATTACH PENDANT CORD SUPPORT SNAP TO ATTACHMENT POINT BEFORE PLUGGING IN PENDANT.
6. UNPLUG PENDANT AND SHUT OFF MASTER DISCONNECT SWITCH WHEN CRANE NOT IN USE.
7. FOR TRAVEL, BOOM MUST BE IN STOWED POSITION.

DANGER

- THIS CRANE IS NOT A PASSENGER LIFT
- IT IS NOT DESIGNED OR INTENDED TO BE USED TO LIFT, SUPPORT, OR OTHERWISE TRANSPORT PERSONNEL.

YOU MUST NOT OPERATE THIS CRANE UNLESS

1. YOU HAVE BEEN TRAINED IN THE SAFE OPERATION OF THIS CRANE
AND
2. YOU KNOW AND FOLLOW THE SAFETY AND OPERATING RECOMMENDATIONS CONTAINED IN THE MANUFACTURER'S MANUALS, YOUR EMPLOYER'S WORK RULES, AND APPLICABLE GOVERNMENT REGULATIONS. AN UNTRAINED OPERATOR SUBJECTS HIMSELF AND OTHERS TO DEATH OR SERIOUS INJURY.

ELECTROCUTION HAZARD

- THIS MACHINE IS NOT INSULATED.
- MAINTAIN SAFE CLEARANCES FROM ELECTRICAL LINES AND APPARATUS.
- YOU MUST ALLOW FOR BOOM SWAY, ROCK OR SAG, AND ELECTRICAL LINE AND LOADLINE SWAYING.
- THIS LIFTING DEVICE DOES NOT PROVIDE PROTECTION FROM CONTACT WITH OR PROXIMITY TO AN ELECTRICALLY CHARGED CONDUCTOR.
- YOU MUST MAINTAIN A CLEARANCE OF AT LEAST 10 FEET BETWEEN ANY PART OF THE CRANE, LOADLINE, OR LOAD, AND ANY ELECTRICAL LINE OR APPARATUS CARRYING UP TO 50,000 VOLTS. ADDITIONAL CLEARANCE IS REQUIRED FOR VOLTAGES IN EXCESS OF 50,000 VOLTS. REFER TO DRAWING 15394 FOR ADDITIONAL INFORMATION.
- **DEATH OR SERIOUS INJURY** WILL RESULT FROM CONTACT OR INADEQUATE CLEARANCE.



MFG., INC.
CINCINNATI, OHIO

TITLE
INSTALLATION DWG

ET5500MPB-ET25KX

DATE
10-14-97F

SUPERCEDES
5-13-97E

SECTION
C150

850711

IMPORTANT

ADEQUATE WIRING IMPERATIVE FOR PROPER OPERATION

1. PROPER GROUND PATH - SEE DWG 15660

2. CURRENT DRAW IS SEVERAL HUNDRED AMPERES -
ADEQUATE WIRE SIZE AND BATTERY CAPACITY IS ABSOLUTELY
ESSENTIAL (SEE CHART BELOW.)

MINIMUM WIRE GAUGE AND BATTERY SIZE

MODEL	TOTAL LENGTH OF CABLE (FT)*								12 VOLT BATTERY REQUIREMENTS	
	0-20	21-25	26-30	31-40	41-50	51-60	61-70	71-80	CCA (A)**	RC (MIN)***
CE6K CT2000 CT2003/4/5 DT7K	#4	#4	#2	#2	#1	#0	#0	#00	350	100
ET5500MPB ET5500R ET6KMPB ET6KR ET10K	#2	#2	#1	#0	#00	NOTRECOMMENDED			450	100
ET10KX	#2	#2	#1	#0	#00	NOTRECOMMENDED			550	150
ET25K ET25KX	SEE DRAWING I24600 FOR CABLE AND BATTERY REQUIREMENTS									

* INCLUDES GROUND CABLE

** CCA=COLD CRANKING AMPS AT 0' F.
THE CCA RATING IS A MEASURE OF THE ABILITY OF THE BATTERY TO DELIVER A HIGH CURRENT FOR A SHORT PERIOD OF TIME.

*** RC=RESERVE CAPACITY IN MINUTES AT 25 AMPS AND 80' F.
THE RC RATING IS A MEASURE OF THE PERIOD OF TIME THE BATTERY CAN SUPPLY A GIVEN CURRENT WITHOUT RECHARGING.



MFG., INC.
CINCINNATI, OHIO

TITLE
CABLE & BATTERY

CE, CT, DT, & ET

DATE
8-10-00R

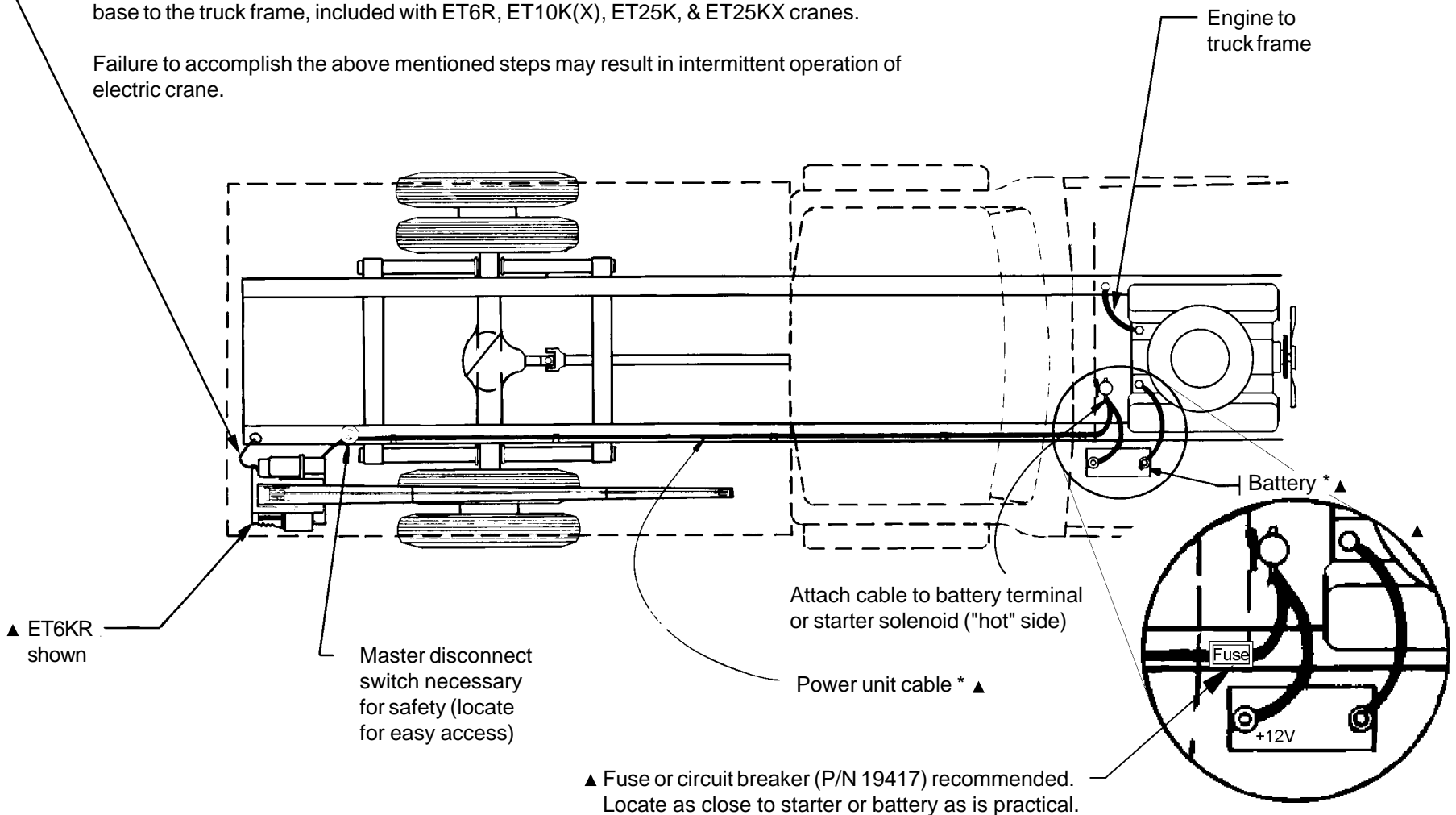
SUPERCEDES
3-3-99Q

SECTION
C200

711105

Important: The crane must make connection with the negative of the battery. To insure this, install a #2 gauge grounding strap from the engine to the truck frame (required if negative from battery is connected to the engine.) Also, install a #2 gauge grounding strap from the crane base to the truck frame, included with ET6R, ET10K(X), ET25K, & ET25KX cranes.

Failure to accomplish the above mentioned steps may result in intermittent operation of electric crane.



▲ * Note: See Dwg 711105 for recommended battery and cable specifications



TITLE INSTALLATION - BATTERY CABLE	DATE 1-15-02E	SECTION C200
	SUPERCEDES 11-7-01D	15660

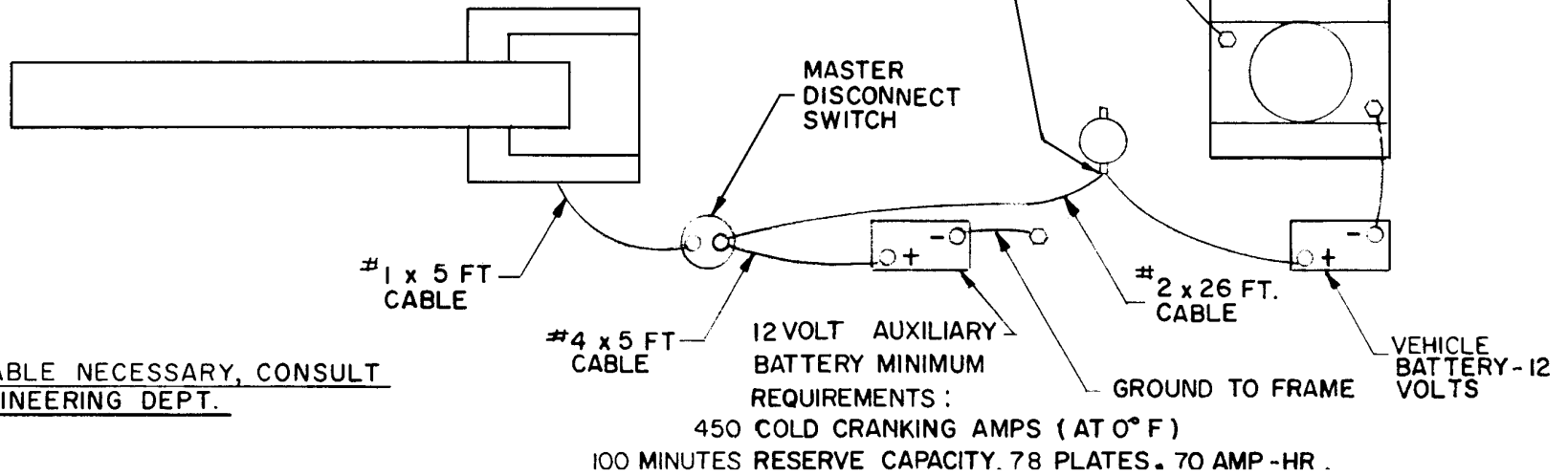
WINCH & CRANE

RECOMMENDED INSTALLATION

W/ AUXILIARY BATTERY IN PARALLEL WITH VEHICLE BATTERY.

ATTACH CABLE TO BATTERY TERMINAL OR STARTER SOLENOID ("HOT" SIDE)

#2 x 2 FT. ENGINE TO FRAME GROUND CABLE



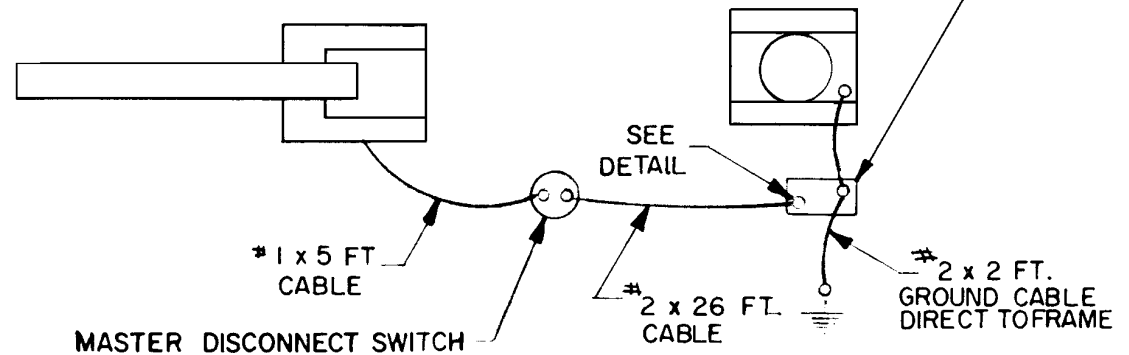
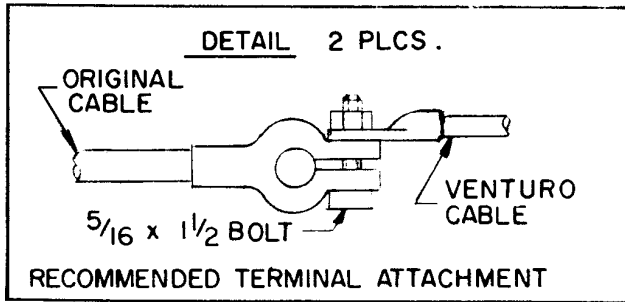
IF LONGER CABLE NECESSARY, CONSULT VENTURO ENGINEERING DEPT.

12 VOLT AUXILIARY BATTERY MINIMUM REQUIREMENTS:
450 COLD CRANKING AMPS (AT 0° F)
100 MINUTES RESERVE CAPACITY. 78 PLATES. 70 AMP -HR .

12 VOLT VEHICLE BATTERY MINIMUM REQUIREMENTS
625 COLD CRANKING AMPS (AT 0° F),
160 MINUTES RESERVE CAPACITY,
102 PLATES, 105 AMP -HR. .

LIMITED DUTY ALTERNATE INSTALLATION

NOTE: ALTERNATE INSTALLATION MAY BE USED ONLY IF VEHICLE BATTERY MEETS MINIMUM REQUIREMENTS AND A #2 X 26 FT CABLE WILL REACH FROM THE MASTER DISCONNECT SWITCH DIRECTLY TO THE BATTERY (NOT THE SOLENOID).



MANUFACTURING, INC.
CINCINNATI, OHIO

TITLE
ELECTRICAL INSTALLATION

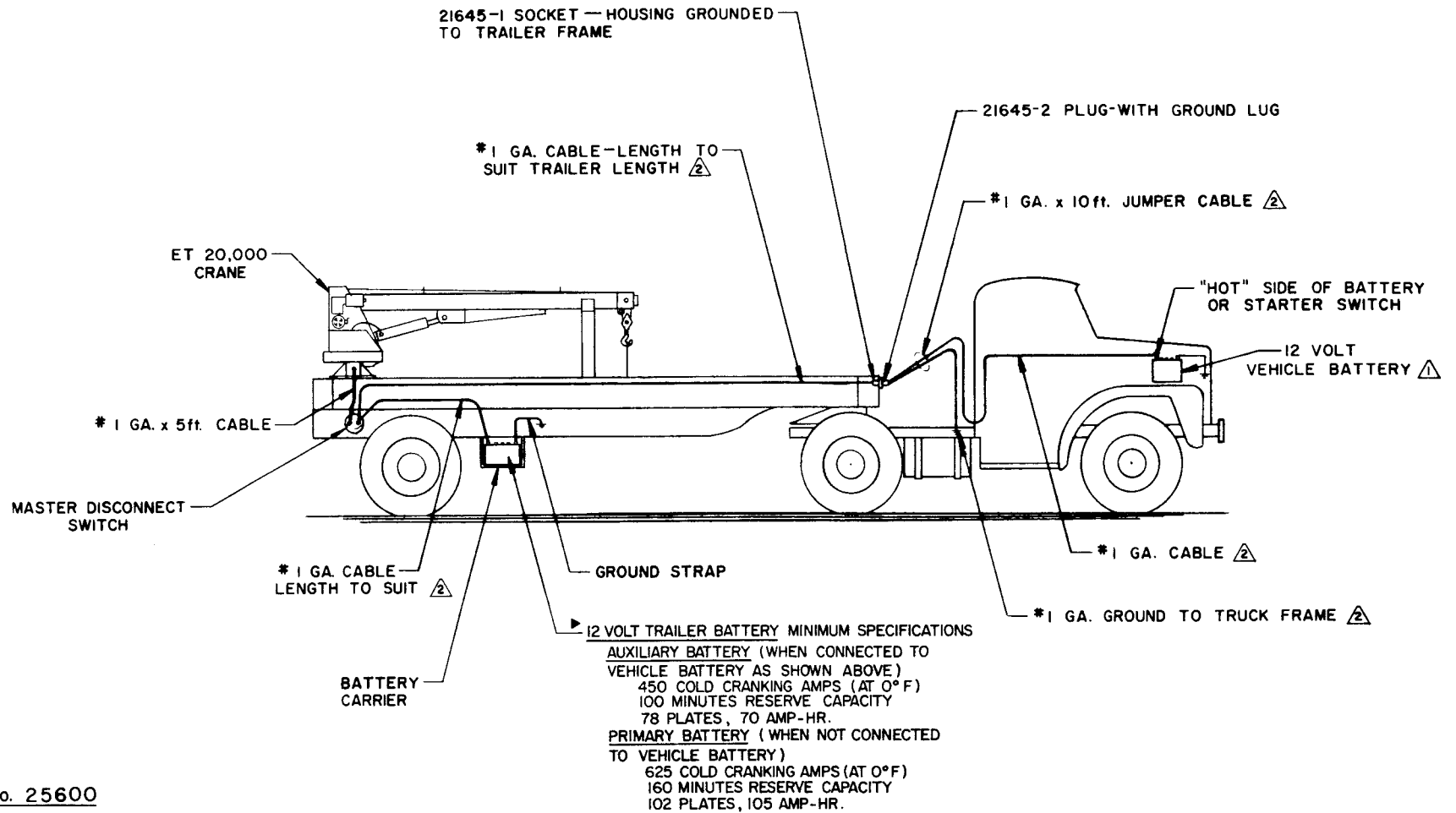
DATE
6-24-98E

SECTION
C200

ET20K, ET25K(X)

SUPERCEDES
6-10-83D

124600



KIT No. 25600

[Ⓐ] KIT INCLUDES ALL ELECTRICAL COMPONENTS SHOWN EXCEPT BATTERIES.

[Ⓐ] KIT INCLUDES A TOTAL OF 75ft. OF #1 GA. CABLE FOR TRACTOR AND TRAILER.

RECOMMENDED TRAILER INSTALLATION
WITH AUXILIARY 12 VOLT BATTERY IN
TRAILER IN PARALLEL WITH TRACTOR BATTERY



MANUFACTURING, INC.
 CINCINNATI, OHIO

TITLE
 INSTALLATION DRAWING

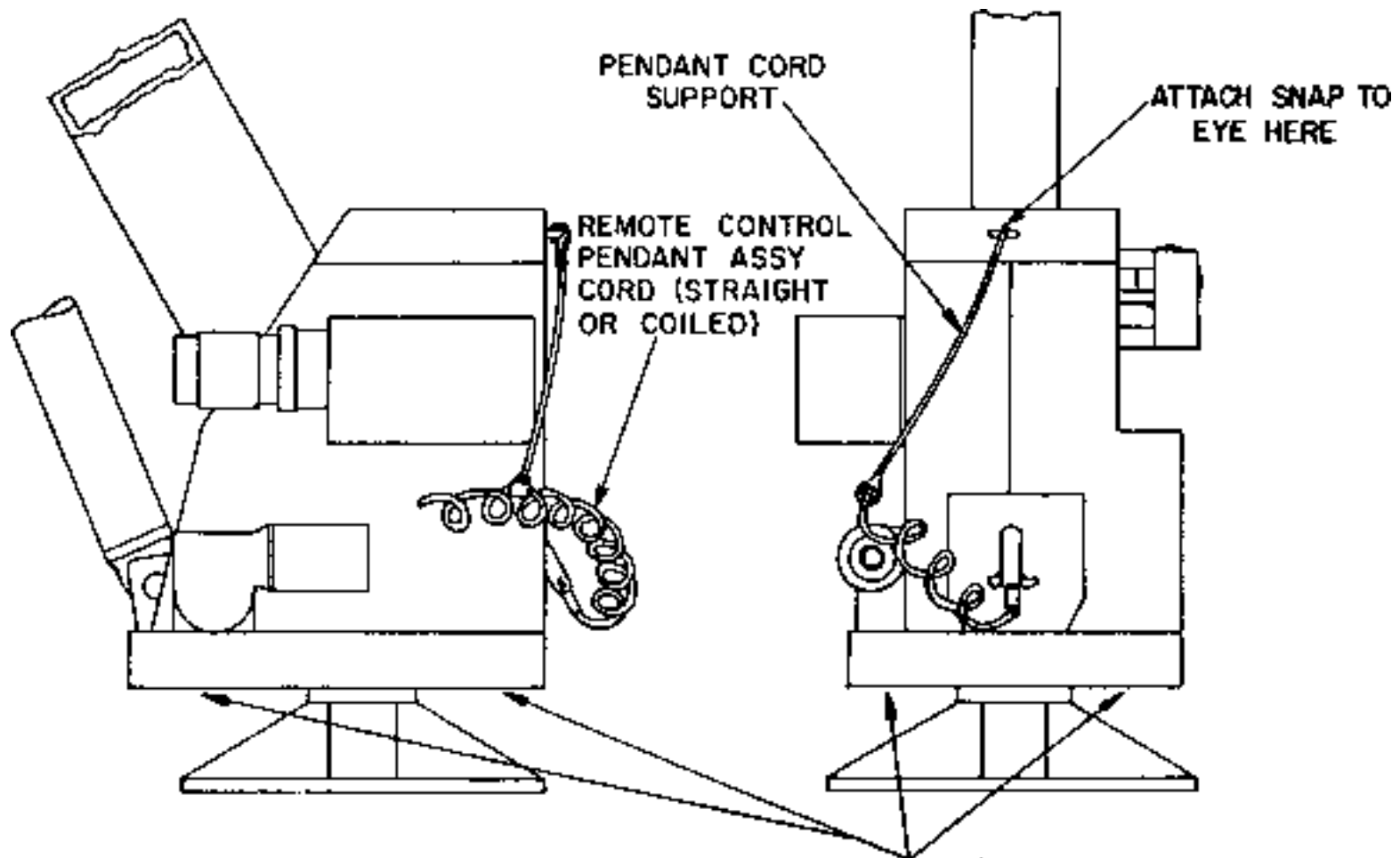
ET20K, ET25K(X)

DATE
 6-24-98D

SUPERCEDES
 8-30-82C

SECTION
 C200

125600



CAUTION: KEEP PENDANT CORD AWAY FROM THIS AREA

PENDANT CORD SUPPORT REDUCES STRAIN ON PLUG & HELPS KEEP THE CORD AWAY FROM THE AREA BETWEEN CRANE LOWER HOUSING & BASE

VENTURO

MANUFACTURING, INC.
CINCINNATI, OHIO

TITLE
PENDANT CORD SUPPORT

ET & HT CRANE SERIES

DATE
5-26-98C

SUPERCEDES
7-13-92B

SECTION
C200

125618

SELECTION

The chart below shows the maximum working load and breaking strength of 7 X 19 Galvanized AIRCRAFT Grade Wire Rope in various diameters. The breaking strength is 3-1/2 times the maximum working load. Do not use wire rope with a Maximum Working Load rating less than the single line capacity of the crane. Use of wire rope diameter larger than the size furnished with the crane will reduce the fatigue life of the wire rope.

<u>WIRE ROPE DIAMETER</u>	<u>MAXIMUM WORKING LOAD</u>	<u>BREAKING STRENGTH</u>
1/8"	570 lbs	2000 lbs
5/32"	800 lbs	2800 lbs
3/16"	1200 lbs	4200 lbs
7/32"	1600 lbs	5600 lbs
1/4"	2000 lbs	7000 lbs
5/16"	2800 lbs	9800 lbs
3/8"	4114 lbs	14400 lbs

INSTALLATION

1. Unwind coil of rope by rolling it along floor. This will prevent kinking.
2. Most VENTURO Cranes are provided with a slot in the winch drum side plate for attaching the end of the wire rope with a stop collar. A hole in the housing allows access for the end of the wire rope when inserted thru the slot.

The ET20K(X) & ET25K(X) Cranes have a clamp built into the winch drum and do not use a stop collar.

3. THERE MUST ALWAYS BE AT LEAST (3) TURNS OF WIRE ROPE ON THE DRUM WHEN UNDER LOAD.



VENTURO

MFG., INC.
CINCINNATI, OHIO

TITLE
WIRE ROPE SPECS

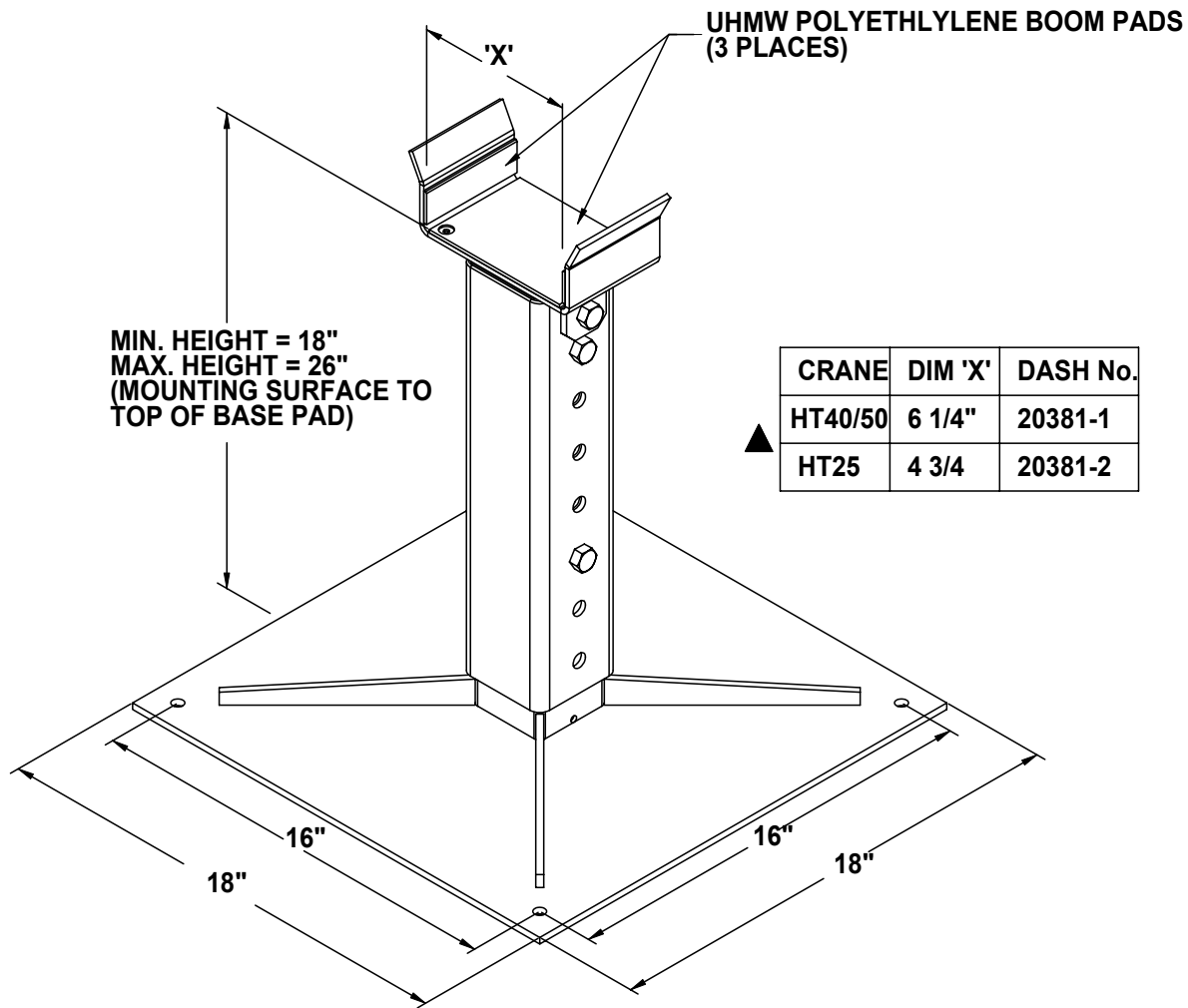
VENTURO WINCH & CRANE

DATE
10-23-97G

SUPERCEDES
4-27-92F

SECTION
WC 200

711006



WITH SINGLE ACTING
ELEVATION CYLINDER
MECHANICAL DEVICE IS
NEEDED TO SECURE
BOOM

VENTURO MANUFACTURING, INC.
CINCINNATI, OHIO

TITLE
INSTALLATION DRAWING

20381 ADJ. BOOM REST - ET/HT25, HT40/50

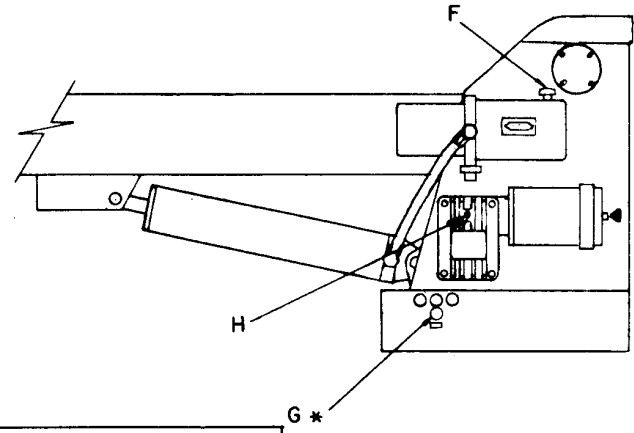
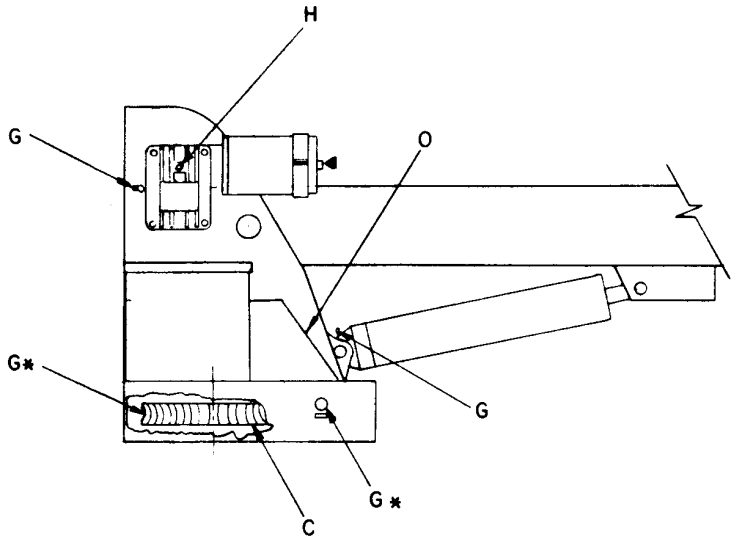
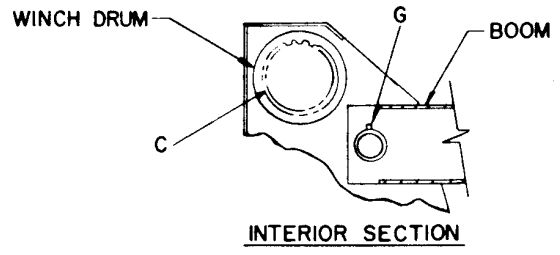
DATE
11-2-01B

SUPERSEDES
5-7-01A

SECTION

-

20420



		AMBIENT TEMPERATURE RANGE		TIME OF TRUCK SERVICE AND AS REQUIRED BY CHANGES IN THE AMBIENT TEMPERATURE RANGE.
		-22°F TO 30°F	10°F TO 125°F	
F	FILL OIL RESERVOIR TO OIL LEVEL WITH BOOM DOWN	DEXRON ATF	10W-40 MOTOR OIL	
H	FILL GEAR CASE TO BOTTOM EDGE OF HOLE	75W-90 ARTIC	85W-140	
		EP OR HYPOID GEAR OIL		
O	OIL CHAIN	LIGHT OIL		TIME OF TRUCK SERVICE
G*	APPLY EXCESSIVE GREASE TO REPLENISH PACKED GREASE (C)	CHASSIS GREASE		TIME OF TRUCK SERVICE
G	GREASE FITTING WITH PRESSURE GREASE GUN	CHASSIS GREASE		TIME OF TRUCK SERVICE
C	FILL GEAR TEETH	CHASSIS GREASE		TIME OF MAJOR TEAR DOWN
LOCATION	LUBRICATION REQUIRED	LUBRICANT USED		SERVICE

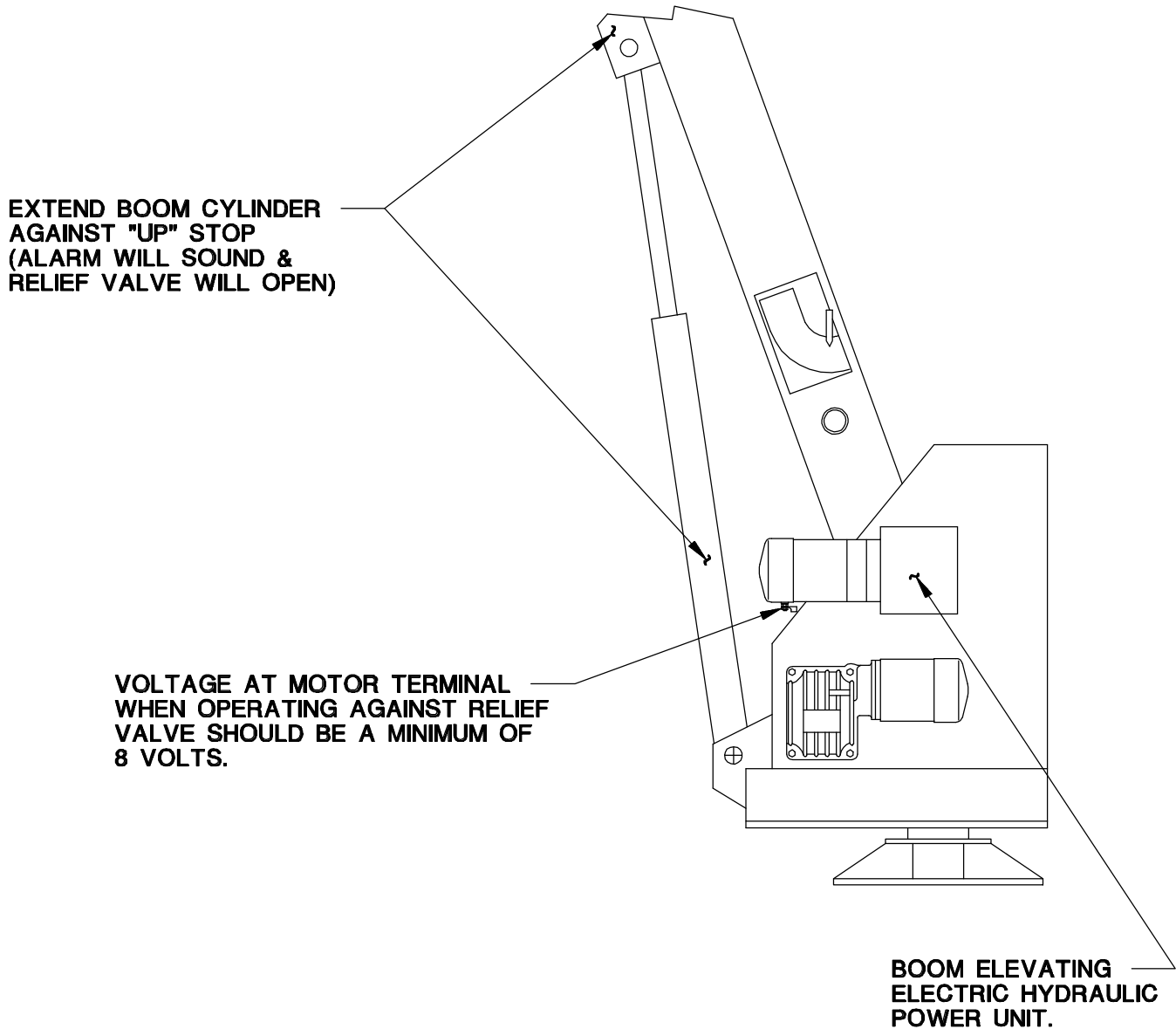


TITLE	DATE	SECTION
LUBRICATION CHART	6-24-98D	C300
ET20K(X), ET25K(X), ET30K, ET36KX	SUPERCEDES 6-1-92C	16510

MINIMUM VOTAGE TEST
ET20K, ET25K, ET25KX, ET30K, ET36KX

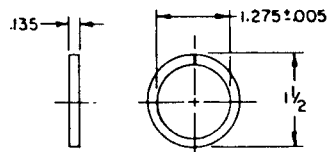
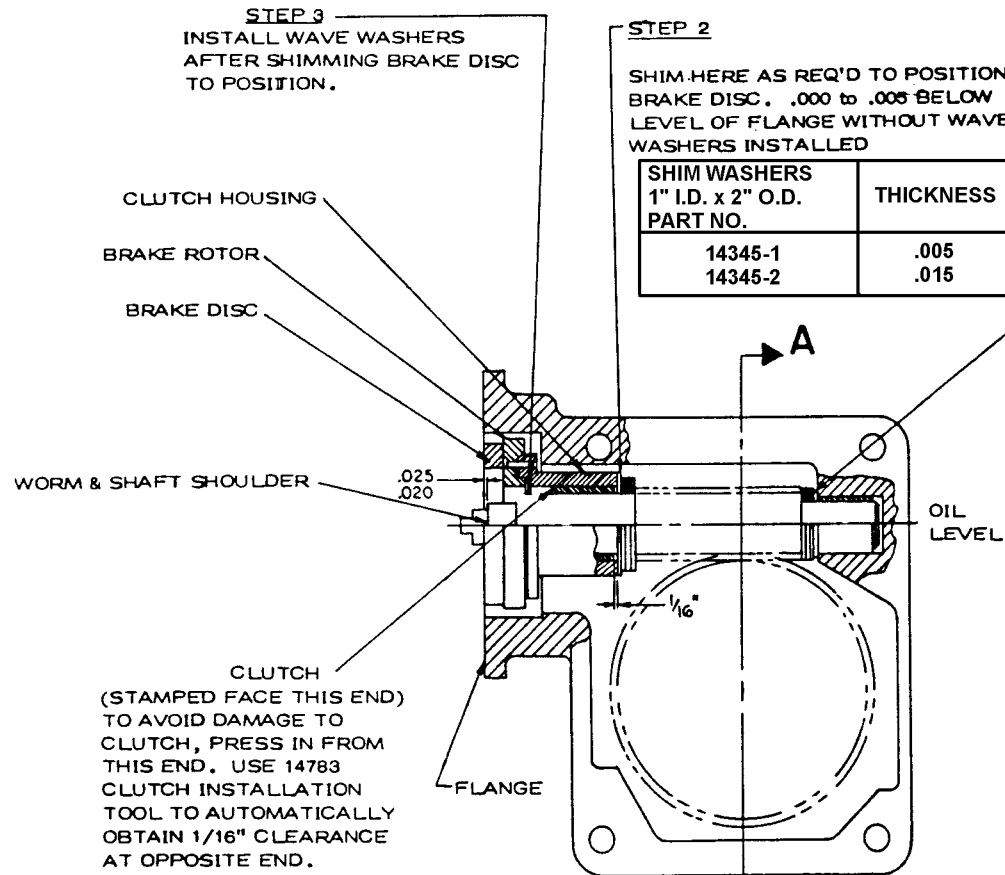
**ONE OF THE MOST COMMON ELECTRICAL PROBLEMS ENCOUNTERED ON
12 VOLT ELECTRICAL CRANES IS INSUFFICIENT VOLTAGE AT THE MOTOR WHEN
DRAWING THE LARGE CURENT THAT EXISTS AT FULL LOAD.**

TO ISOLATE THIS PROBLEM PERFORM THE MINIMUM VOLTAGE TEST BELOW:

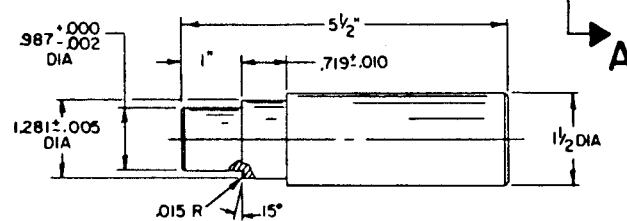


WINCH POWER UNIT 24408, 17111 & 17112

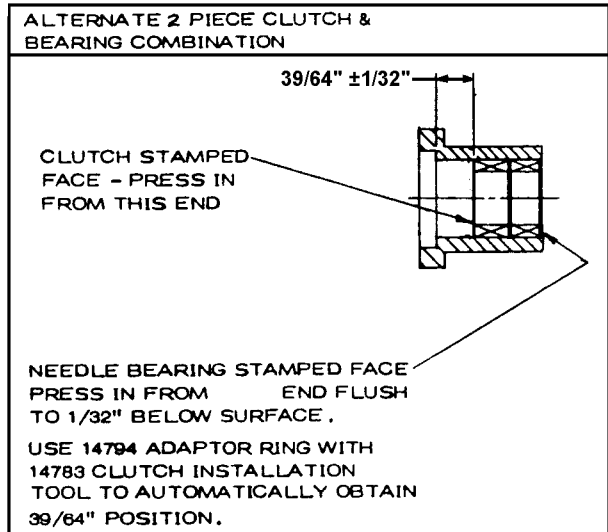
(SEE 24499-1 FOR SECTION A-A ON BACK OF PAGE)



#14794 ADAPTER RING
STEEL RING, 1 1/2" O.D. X .135" THK. WITH 1/32" - 3/32" SPLIT



#14783 CLUTCH INST. TOOL



MANUFACTURING, INC.
CINCINNATI, OHIO

TITLE
ASSEMBLY & SERVICE INSTRUCTIONS

DATE
6-24-98B

SECTION
C300

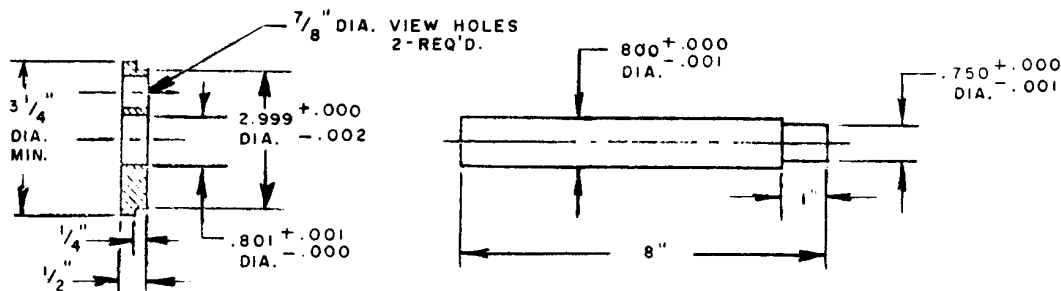
ET20K(X), ET25K(X), ET30K, ET36KX

SUPERCEDES
6-15-92A

24499-8

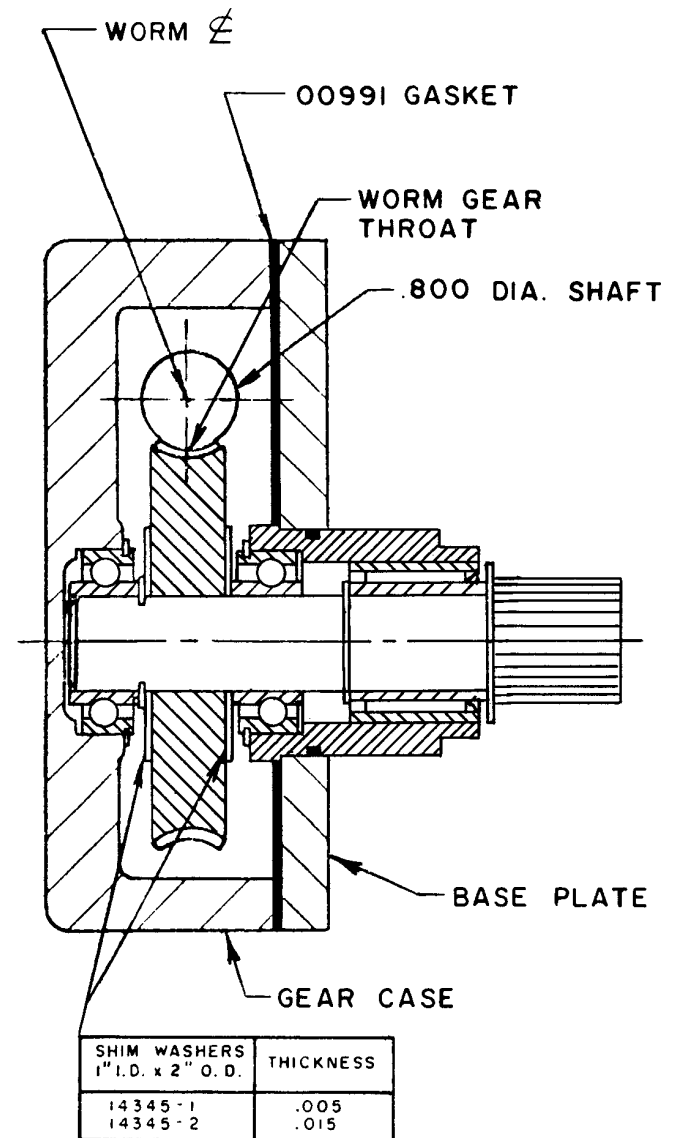
CENTERING WORM GEAR WITH WORM \cancel{E}

- STEP 1** Assemble worm gear into gear case & base plate with .015 shim on each side of worm gear.
- STEP 2** Check for excessive tightness or looseness of output shaft in bearings. Shaft should spin free but not have noticeable play. Add or remove shims equally from both sides as required.
- STEP 3** Check centering of worm gear throat on worm \cancel{E} with 14781 inspection shaft & 14782 inspection flange. Worm gear should spin free with shaft & flange in place. If worm gear does not spin free, determine which way it must be shifted by viewing contact between shaft & worm throat thru view hole in flange. Remove shims from one side & add same amount to other side to center worm gear.



14782 INSPECTION FLANGE

14781 INSPECTION SHAFT



SECTION A-A



MANUFACTURING, INC.
CINCINNATI, OHIO

TITLE
ASSEMBLY & SERVICE INSTRUCTIONS

DATE
6-24-98B

SECTION
C300

ET20K(X), ET25K(X), ET30K

SUPERCEDES
6-16-92A

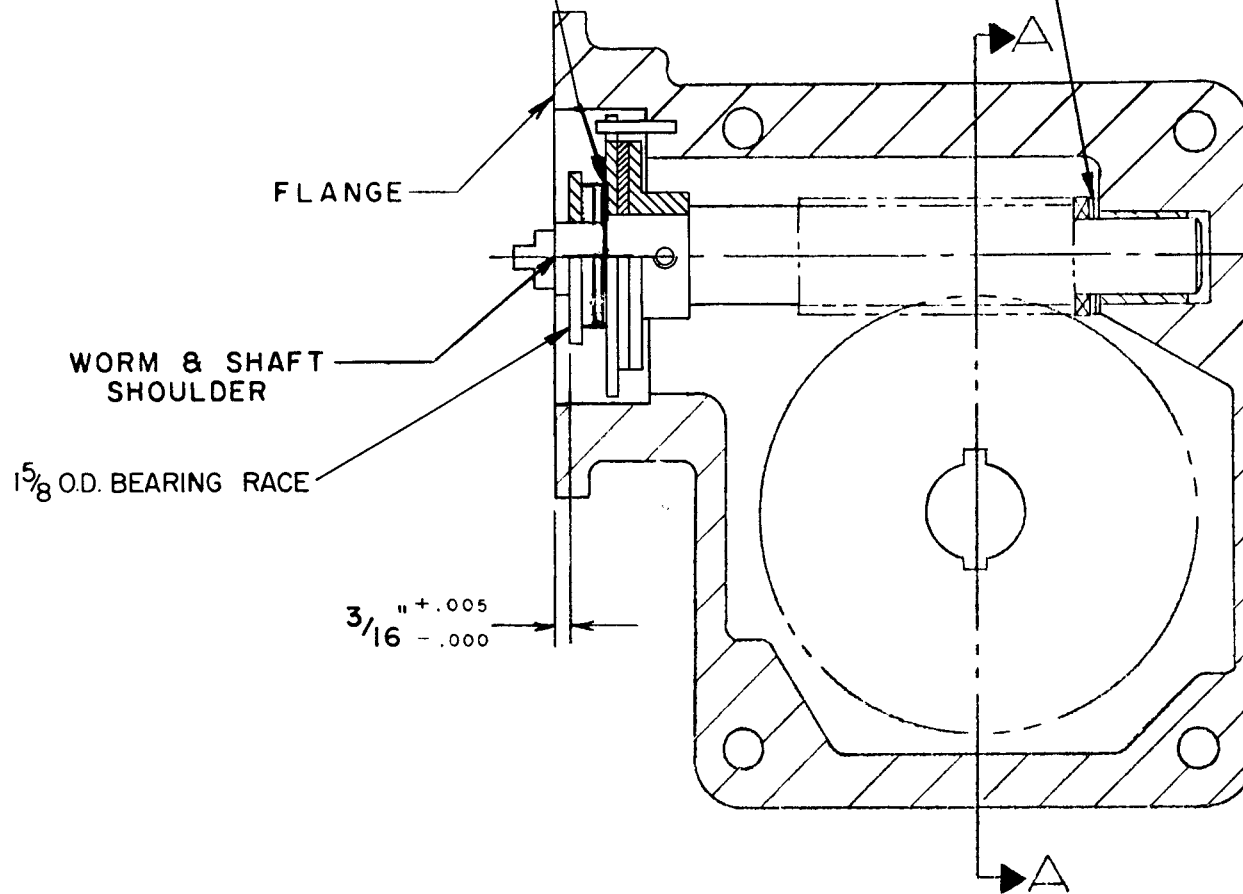
24499-1

STEP 2

SHIM HERE TO $3/16$ " $+ .005$
DIMENSION. $- .000$

STEP 1

SHIM HERE AS REQ'D. TO POSITION
WORM & SHAFT SHOULDER $.005$ TO
 $.010$ BELOW LEVEL OF FLANGE.



SHIM WASHERS		THICKNESS
$3/4$ " I. D. x $1/2$ " O. D.	PART NO.	
	12943-1	.005
	12943-2	.015

OIL LEVEL

STEP 3

FILL GEAR CASE WITH **22 OZ.**
OF 85W-140 E. P. OR HYPOID
GEAR OIL BEFORE ATTACHING
MOTOR.

ROTATION POWER UNIT WITH HIGH OIL LEVEL
26439, 24409, 14407, 14409 & 17471

(SEE 24499-2 FOR SECTION A-A ON BACK OF PAGE)



MANUFACTURING, INC.
CINCINNATI, OHIO

TITLE
ASSEMBLY & SERVICE INSTRUCTIONS

DATE
6-24-98B

SECTION
C300

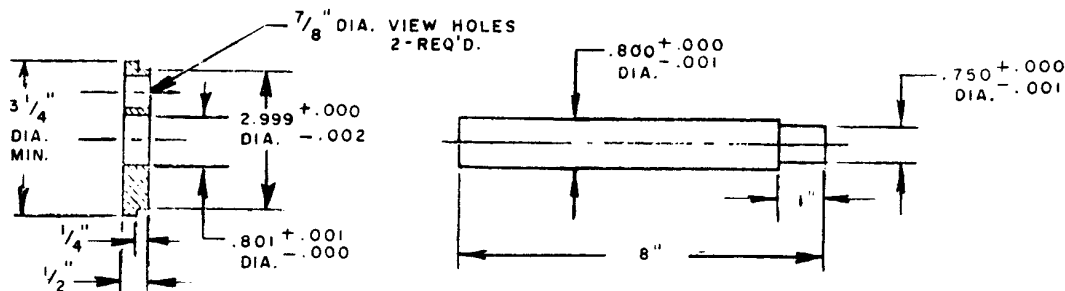
ET20K(X), ET25K(X), ET30K

SUPERCEDES
6-16-92A

24499-9

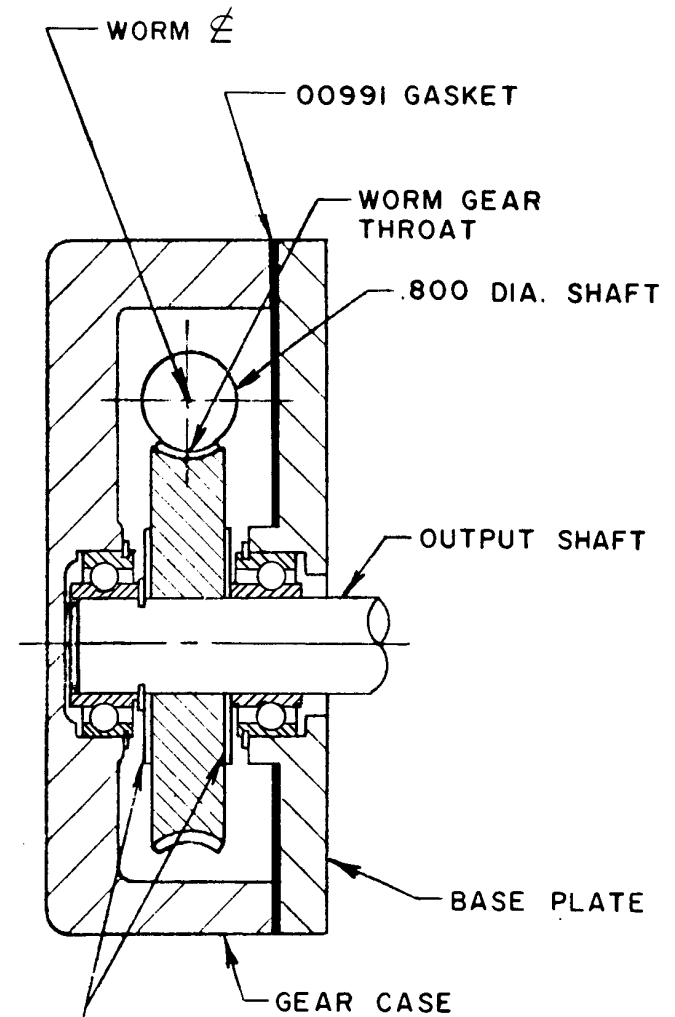
CENTERING WORM GEAR WITH WORM \cancel{E}

- STEP 1** Assemble worm gear into gear case & base plate with .015 shim on each side of worm gear.
- STEP 2** Check for excessive tightness or looseness of output shaft in bearings. Shaft should spin free but not have noticeable play. Add or remove shims equally from both sides as required.
- STEP 3** Check centering of worm gear throat on worm \cancel{E} with 14781 inspection shaft & 14782 inspection flange. Worm gear should spin free with shaft & flange in place. If worm gear does not spin free, determine which way it must be shifted by viewing contact between shaft & worm throat thru view hole in flange. Remove shims from one side & add same amount to other side to center worm gear.



14782 INSPECTION FLANGE

14781 INSPECTION SHAFT



SHIM WASHERS 1" I.D. x 2" O.D.	THICKNESS
14345-1	.005
14345-2	.015

SECTION A-A



MANUFACTURING, INC.
CINCINNATI, OHIO

TITLE
ASSEMBLY & SERVICE INSTRUCTIONS

DATE
6-24-98B

SECTION
C300

ET20K(X), ET25K(X), ET30K

SUPERCEDES
6-16-92A

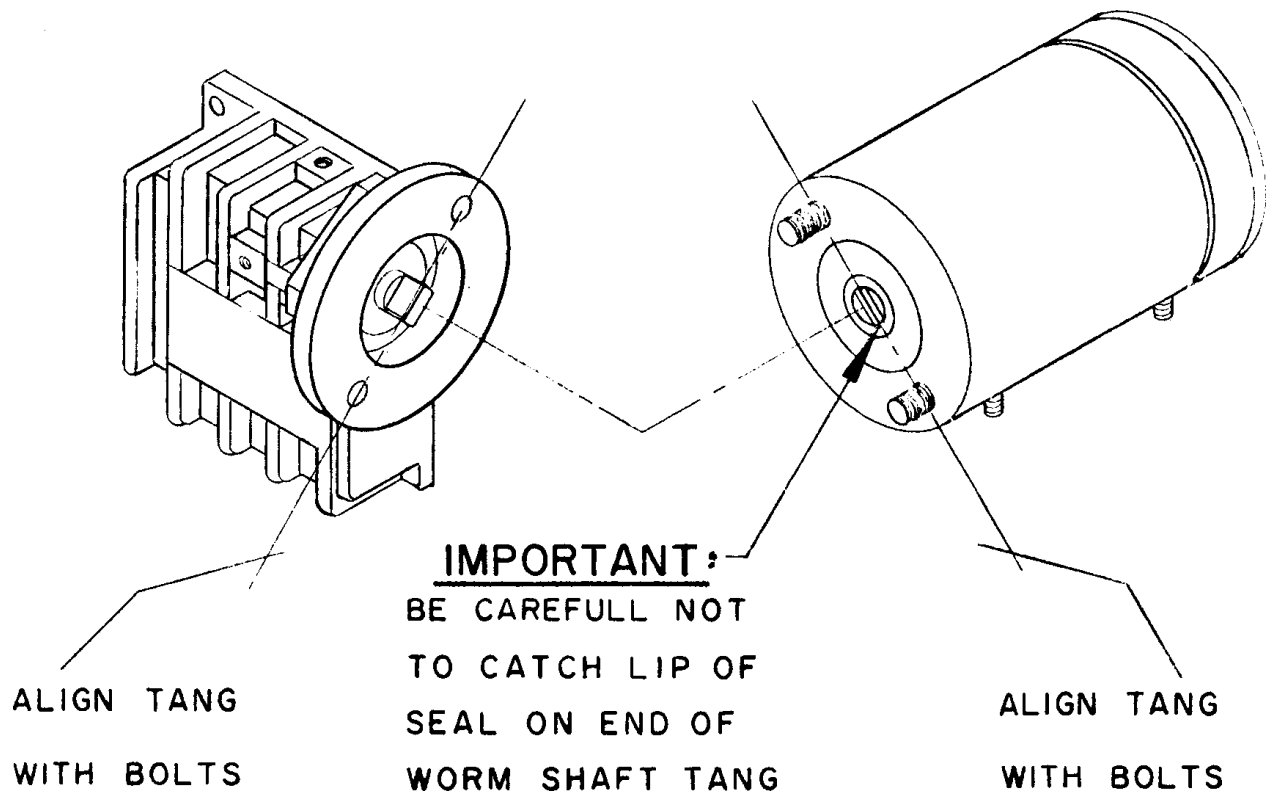
24499-2

FIELD SERVICE BULLETIN

INSTALLATION OF 16115 & 17532 MOTORS ON ROTATION & WINCH POWER UNITS

PROCEDURE:

1. REFER TO DRAWING 760302/14501 FOR REPLACEMENT PARTS
2. CHECK WORM & SHAFT SHOULDER POSITION PER DRAWING 14499-6 & READJUST SHIMS AS REQUIRED. THIS IS MANDATORY IF GEAR HEAD COMPONENT PARTS HAVE BEEN REPLACED.
3. CAREFULLY ALIGN TANG ON GEAR HEAD INPUT SHAFT WITH HOLES IN FLANGE & TANG SLOT IN MOTOR WITH MOTOR MOUNTING STUDS.
4. PRESTRETCH LIP OF 00992 MOTOR SHAFT SEAL OPEN WITH FINGER TIPS AND LUBRICATE SEAL LIP WITH GEAR OIL.
5. WHEN INSTALLING MOTOR, BE CAREFUL NOT TO CATCH LIP OF SEAL ON END OF SHAFT TANG OR SHOULDER AS SEALING LIP MAY BE DAMAGED OR THE SPRING KNOCKED OUT OF THE SEAL.



MFG., INC.
CINCINNATI, OHIO

TITLE
INSTALLATION DRAWING

ET25K(X)

DATE
6-24-98C

SUPPERCEDES
10-2-80B

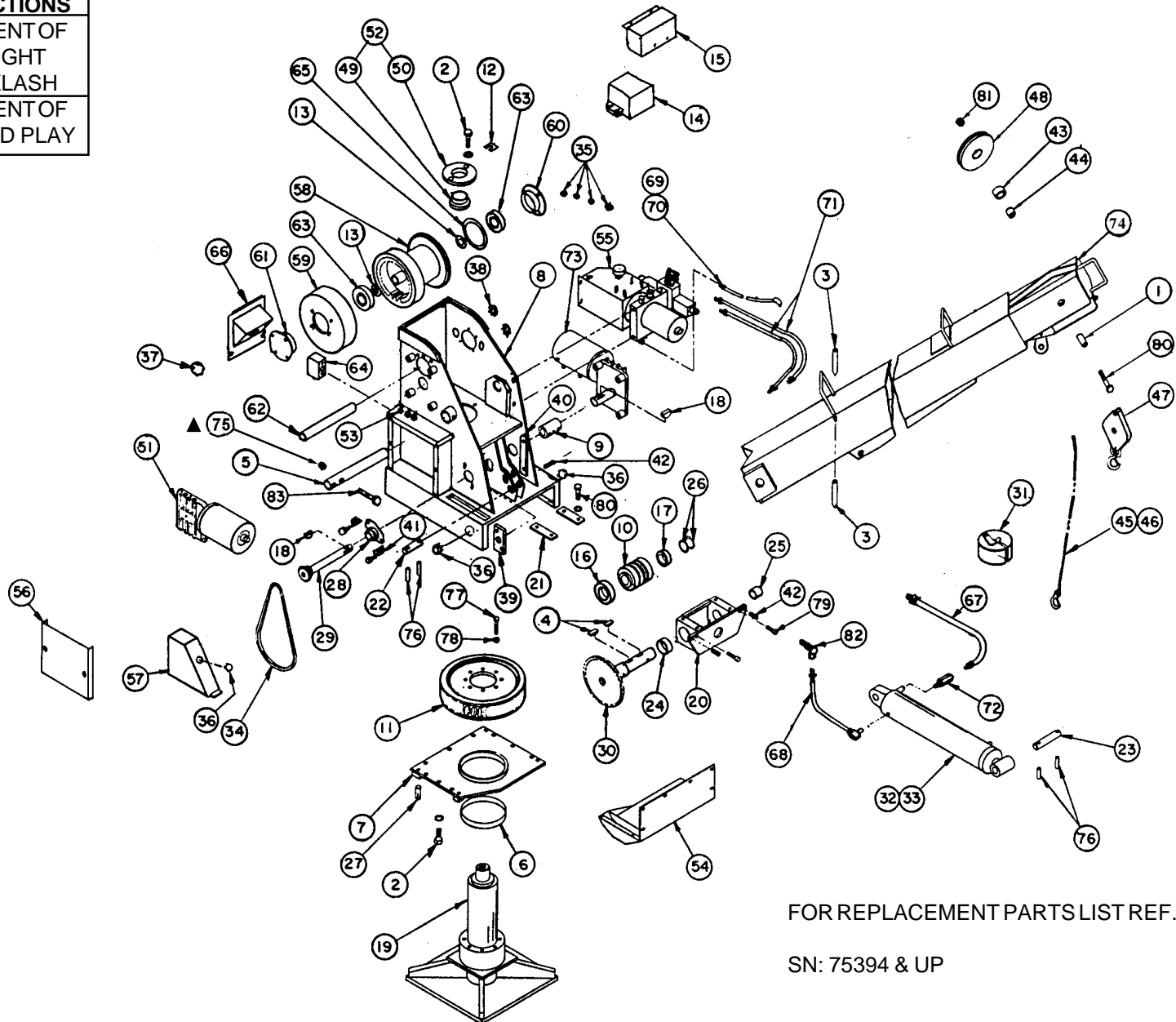
SECTION
C300

780607

SERVICE INSTRUCTIONS

14544 ADJUSTMENT OF
WORM HEIGHT
AND BACKLASH

14553 ADJUSTMENT OF
WORM END PLAY



FOR REPLACEMENT PARTS LIST REF. 19935

SN: 75394 & UP



MANUFACTURING, INC.
CINCINNATI, OHIO

TITLE
REPLACEMENT PARTS


ET25KX

DATE
7-24-01

SUPERCEDES
-

SECTION
C420

19934

ITEM #	PART #	DESCRIPTION	ITEM #	PART #	DESCRIPTION
1	13168-2	SLEEVE - 3/4" OD x 5/8" ID x 1 1/16" LONG	40	15252	NUT BAR
2	IHHCS05013125-5	HEX HEAD CAP SCREW - 1/2"-13 x 1 1/4" GRADE 5	41	-	OBSOLETE
3	13459-2	ARROW	42	25593	SET SCREW - 1/2"-20 x 1"
4*	15245	WOODRUFF KEY - 5/16" x 1 1/8" (MODIFIED)	43	15808	BEARING - 1 1/4" ID x 1 5/8" OD x 11/16" LONG
5	13918	PIVOT PIN, BOOM - 1 1/2" OD x 11 3/4"	44	15809	SPACER - 3/4" ID x 1 1/4" OD x 21/32" LONG
6	13978	LOWER BEARING	45	25810-5/16-80	WIRE ROPE ASSY - 5/16" x 80 FT (10/20 FT BOOM)
7	26361-2	BEARING PLATE	46	-	-
8	18713	WELDED HOUSING ASSY	47	23169	SWIVEL SNATCH BLOCK ASSEMBLY
9	14084	COUPLING	48	23911	SHEAVE (INCLUDES ITEMS 1, 43, 44, 80, & 81)
10	14142-4	WORM - SINGLE THREAD RH	49	24342	FLANGED BEARING - 2" BORE x 3" OD FLANGE
11	14143-4	WORM GEAR - 48T, 4 PITCH	50	24383	BEARING HOUSING - 1 1/8" LONG
12*	14159	SHIM - 1 1/2" SQ x .015", .042", .105"	51	17530	WINCH POWER UNIT
13*	15675	SHIM - 1 1/4" ID x .015", .031"	52	25570	BEARING AND HOUSING ASSY (ITEMS 49, 50)
14	17356	OVERLOAD ALARM	53	-	OBSOLETE
15	-	OBSOLETE	54	26272-2/-3	FRONT COVER (-2) AND LOWER COVER (-3)
16	14191-1	BALL THRUST BEARING - 2" ID x 3 11/32" OD	55	18440	ELECTRIC HYDRAULIC POWER UNIT
17	14191-2	BALL THRUST BEARING - 1 1/2" ID x 2 19/32" OD	56	26362	SIDE COVER
18*	26404	WOODRUFF KEY - 1/4" x 1" (MODIFIED)	57	26363	CHAIN COVER
19	14237	QUILL ASSEMBLY	58	26365	CABLE DRUM
20	14242	HOUSING, WORM GEAR	59	26370	WINCH DRUM COVER
21	14245	WASHER PLATE	60	26372-1	BEARING CUP - LH
22	18727	PIVOT PIN, CYL TAIL - 1 1/4" OD x 3 3/16" LONG	61	26372-2	BEARING CUP - RH
23	18728	PIVOT PIN, CYL ROD - 1 1/4" OD x 5 3/16" LONG	62	26373	DRUM SHAFT
24	14341-1	BUSHING - 2" ID x 2 1/4" OD x 1" LONG	63	26374	BALL BEARING - 1 1/4" BORE x 2 9/16" OD
25	14341-2	BUSHING - 1 1/2" ID x 1 3/4" OD x 1" LONG	64	-	OBSOLETE
26*	14344	SHIM WASHER - 1 1/2" ID x 2 1/8" OD x .005", .015", .031" THK	65	26379	NUTRING
27*	14353	COIL PIN - 1/2" OD x 1 1/2" LONG	66	26390	REAR COVER
28	14356	FLANGE MOUNTED BALL BEARING - 1" BORE	67	-	OBSOLETE
29	14377	SPROCKET AND SHAFT ASSEMBLY (10T SPROCKET)	68	26396	CYLINDER HOSE, PRESSURE SWITCH - 3/16" X 13"
30	14384	SPROCKET AND SHAFT ASSEMBLY (40T SPROCKET)	69	26397-33.5	CYL RETURN HOSE - 3/8" x 33.5"
31	14426	HEADACHE BALL ASSEMBLY - 9 LBS, NOT REQ. WITH 29 LBS SNATCH BLOCK	70	-	-
32	18700-2	ELEVATION CYLINDER	71	19329/19330	BOOM EXTENSION HOSES
33	-	-	72	26415	SWIVEL JOINT
34	14481	ROTATION DRIVE CHAIN	73	17471	ROTATION POWER UNIT
35	14776	GROMMET - 5/8" ID x 7/8" OD x 3/16" GROOVE	74	19893	BOOM ASSY - 10/20 FT (COMPLETE ASSY)
36	14858-1	SNAP IN PLUG - 7/8"	75	!LNUT-03816	LOCKNUT - 3/8"-16
37	RL-644	SNAP IN PLUG - 1" (SAME AS ITEM 38)	76	IRPIN-025175	ROLL PIN - 1/4" DIA x 1 3/4"
38	RL-644	SNAP IN PLUG - 1" (SAME AS ITEM 37)	77	18927	SOCKET HEAD CAP SCREW - 1/2"-13 x 3" LONG
39	15251	NUT BAR	78	!HWSH-050-LOCK	HI-COLLAR LOCK WASHER - 1/2"
			79	!SHCS05020125	SOCKET HEAD CAP SCREW - 1/2"-20 x 1 1/4" LONG
		FOR REPLACEMENT PARTS DWG REF 19934	80	!HHCS06311175	HEX HEAD CAP SCREW - 5/8"-11 x 1 3/4"
			81	!JNUT-06311N	SELF LOCKING JAM NUT - 5/8"-11
			82	HELB4MP-4FX-90	SWIVEL ADAPTER - 90 DEG ELBOW - 1/4 NPT
			83	!HHCS03816275	HEX HEAD CAP SCREW - 3/8"-16 x 2 3/4"
			*	16476	SHIM, PIN, & KEY KIT (INCLUDES * ITEMS)
				22600-1	FIELD SERVICE LABEL KIT - ET25KX
					SN: 75394
		 ITEM NOT SHOWN ON REPLACEMENT PARTS DRAWING			



MANUFACTURING, INC.
CINCINNATI, OHIO

TITLE
REPLACEMENT PARTS

DATE
7-24-01

SECTION
C420

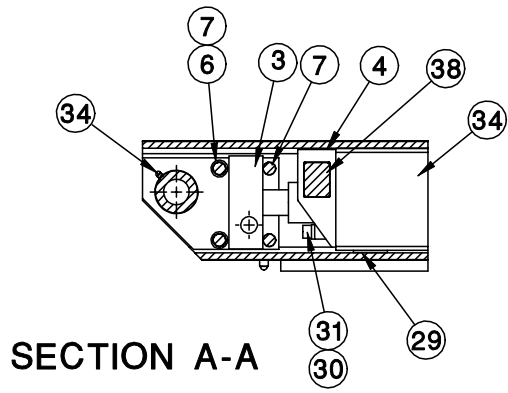
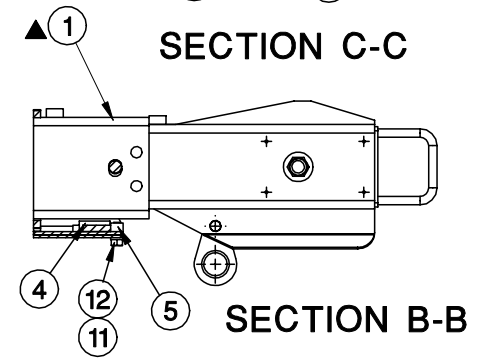
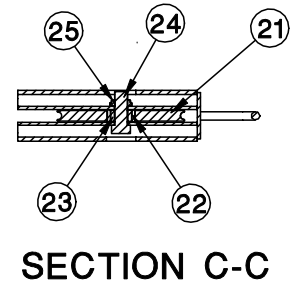
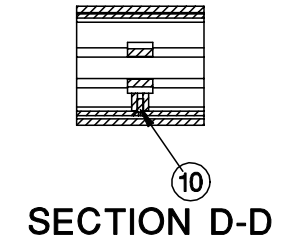
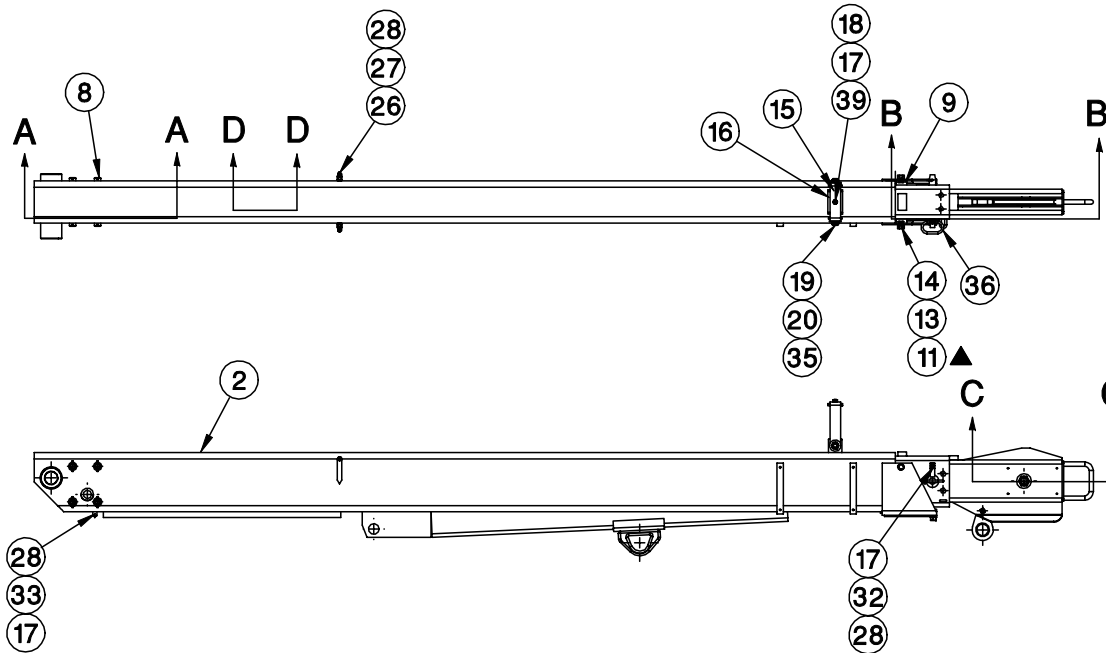
ET25KX - 10/20

SUPERCEDES

-

19935

19893 BOOM PARTS DRAWING



20	2	IFWSH-050	FLAT WASHER 1/2"	-	-	-	-
19	2	IHHCS05013100	HEX HEAD CAP SCREW 1/2-13 X 1" LG GR 5	39	1	IHHCS02520075	HEX HEAD CAP SCREW - 1/4-20 X 3/4" LG. GR 5
18	1	IHNUT-02520	HEX NUT 1/4-20	38	2	19888	SIDE BEARING PAD
17	3	ILWSH-025	LOCK WASHER 1/4"	37	1	19197-2	ANTI-TWO BLOCK SYSTEM
16	1	19881	CABLE GUIDE WEAR STRIP	36	1	19258-1	BOOM PIN 19/5/7-3/4
15	1	19880	CABLE GUIDE STRUCTURE	35	2	IJNUT-05013N	1/2-13 NYLON INSERT JAM NUT
14	2	IHHCS03816050	HEX HEAD CAP SCREW 3/8-16 X 1/2" LG GR 5	34	1	IZERK-02528	ZERK FITTING - 1/4-28
13	2	IJNUT-03816	JAM NUT - 3/8-16 GRADE 5	33	1	19269	CABLE CLAMP - 1/4"
12	2	IHHCS03816100	HEX HEAD CAP SCREW - 3/8-16 X 1" LG GR. 5	32	1	19275	CABLE CLAMP - 3/4"
11	4	ILWSH-038	LOCK WASHER 3/8"	31	2	ISHCS05013200	SOCKET HEAD CAP SCREW 1/2-13 X 2" LONG
10	2	ICACNS03816100	CNTRSNK ALLEN HEAD CAP SCREW 3/8-16 X 1" LG	30	2	ILWSH-050-HC	LOCK WASHER 1/2" HIGH COLLAR
9	2	18957	BEARING PAD - SIDE FRONT	29	1	26216-3	BEARING PAD 2 X 3/8" LOWER REAR
8	8	IRPIN-019125	ROLL PIN 3/16"DIA. X 1-1/4" LONG	28	4	IANUT-02520S	ACORN NUT 1/4-20 STAINLESS
7	4	19884	EXTENSION CYLINDER THRUST PIN	27	2	22490	SPACER, BOOM ARROW 1/2" O.D.
6	2	19885	EXTENSION CYLINDER ROLLER	26	2	13459-1	BOOM ARROW 3-3/16 LONG
5	1	18955	BEARING RETAINING BAR	25	1	ILNUT-07510	LOCKNUT 3/4-10
4	2	19865	UPPER REAR BEARING PAD	24	1	17059-6	SHEAVE AXLE 3/4 X 2 W/ 1" SHANK
3	1	19886-1	EXTENSION CYLINDER - HOLLOW ROD	23	1	15809	SPACER 1.25 O.D. X 21/32 LONG
2	1	19889	PRIMARY BOOM ASSEMBLY	22	1	15808	BRONZE BEARING 1.63 O.D.
1	1	19892	TERTIARY & SECONDARY BOOM ASSEMBLY	21	1	23911	SHEAVE - BOOM
ITEM QTY	PART NO.	DESCRIPTION		ITEM QTY	PART NO.	DESCRIPTION	

VENTURO MANUFACTURING, INC.
CINCINNATI, OHIO

TITLE
19893 BOOM PARTS DRAWING

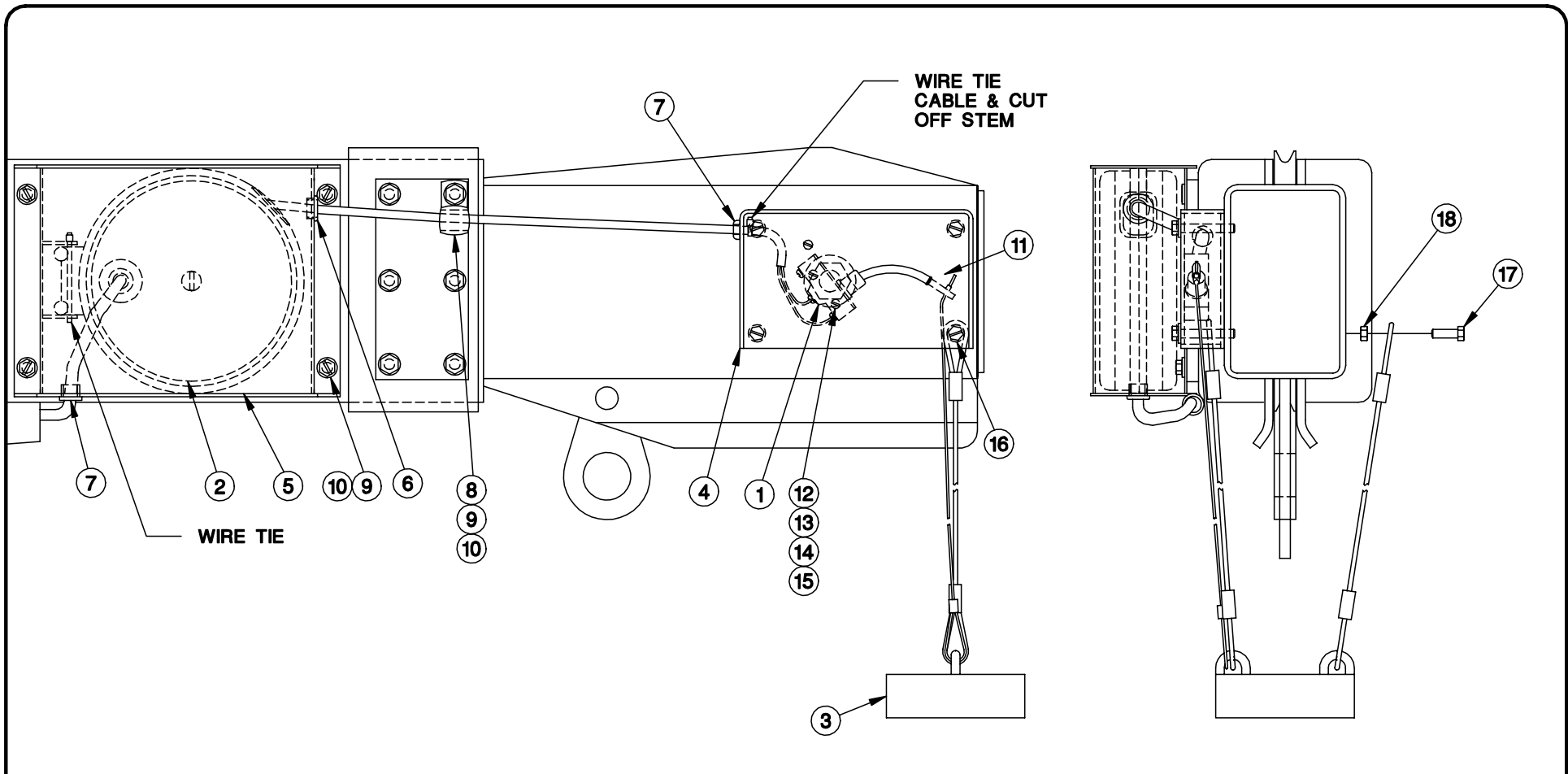
DATE
4-8-02D

SECTION
-

ET/HT25KX

SUPERSEDES
1-9-02C

19931



18	1	IHNUT-02520	HEX NUT - 1/4-20	11	1	19302	SET COLLAR
17	1	IHCS02520075-5	HEX HEAD CAP SCREW - 1/4-20 x 3/4" GR. 5	10	5	ILWSH-031	LOCK WASHER - 5/16"
16	4	IHCS02520175	HEX HEAD CAP SCREW - 1/4-20 x 1 3/4"	9	5	IHCS03118050-5	HEX HEAD CAP SCREW - 5/16-18 x 1/2"
15	2	ILWSH-#06	LOCK WASHER - #6	8	1	19275	CABLE CLAMP - 3/4" x 13/32" HOLE
14	2	IFWSH-#06	FLAT WASHER - #6	7	2	19270	SNAP BUSHING - 3/8" I.D.
13	2	IHNUT-#0632	HEX NUT - #6-32	6	1	19063	SNAP BUSHING - 1/2" I.D.
12	2	IPHMS#632125	PAN HEAD MACHINE SCREW - #6-32 x 1 1/4"	5	1	19058	COVER - CORD REEL
				4	1	19855 ▲	SWITCH BRACKET
				3	1	19377-2	CABLE WEIGHT ASSY
				2	1	22388-1	CORD REEL ASSY
				1	1	19376	LIMIT SWITCH
				ITEM	QTY	PART NO.	DESCRIPTION



MANUFACTURING, INC.
CINCINNATI, OHIO

TITLE
REPLACEMENT PARTS DWG

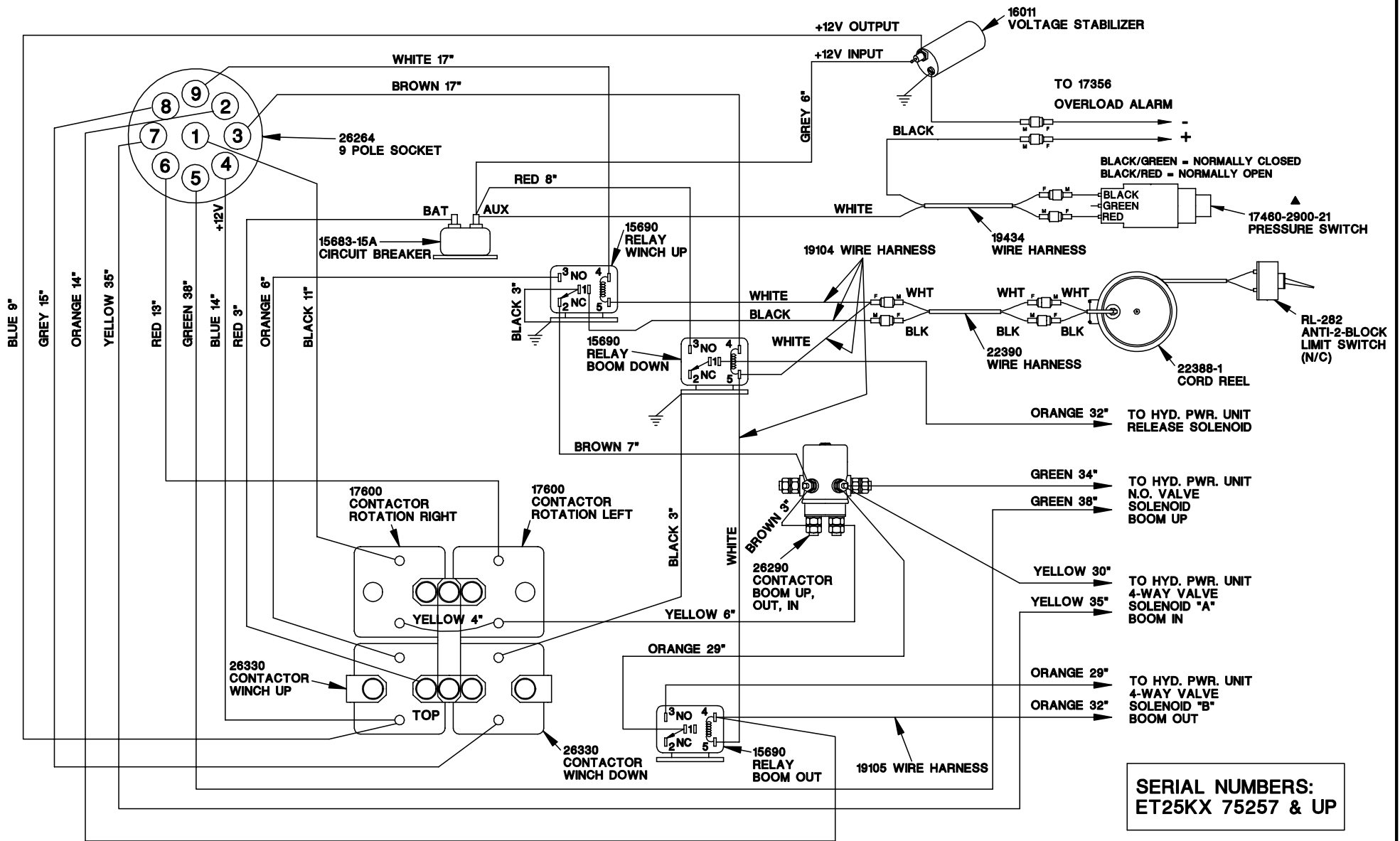
DATE
11-30-01B

SECTION
C400

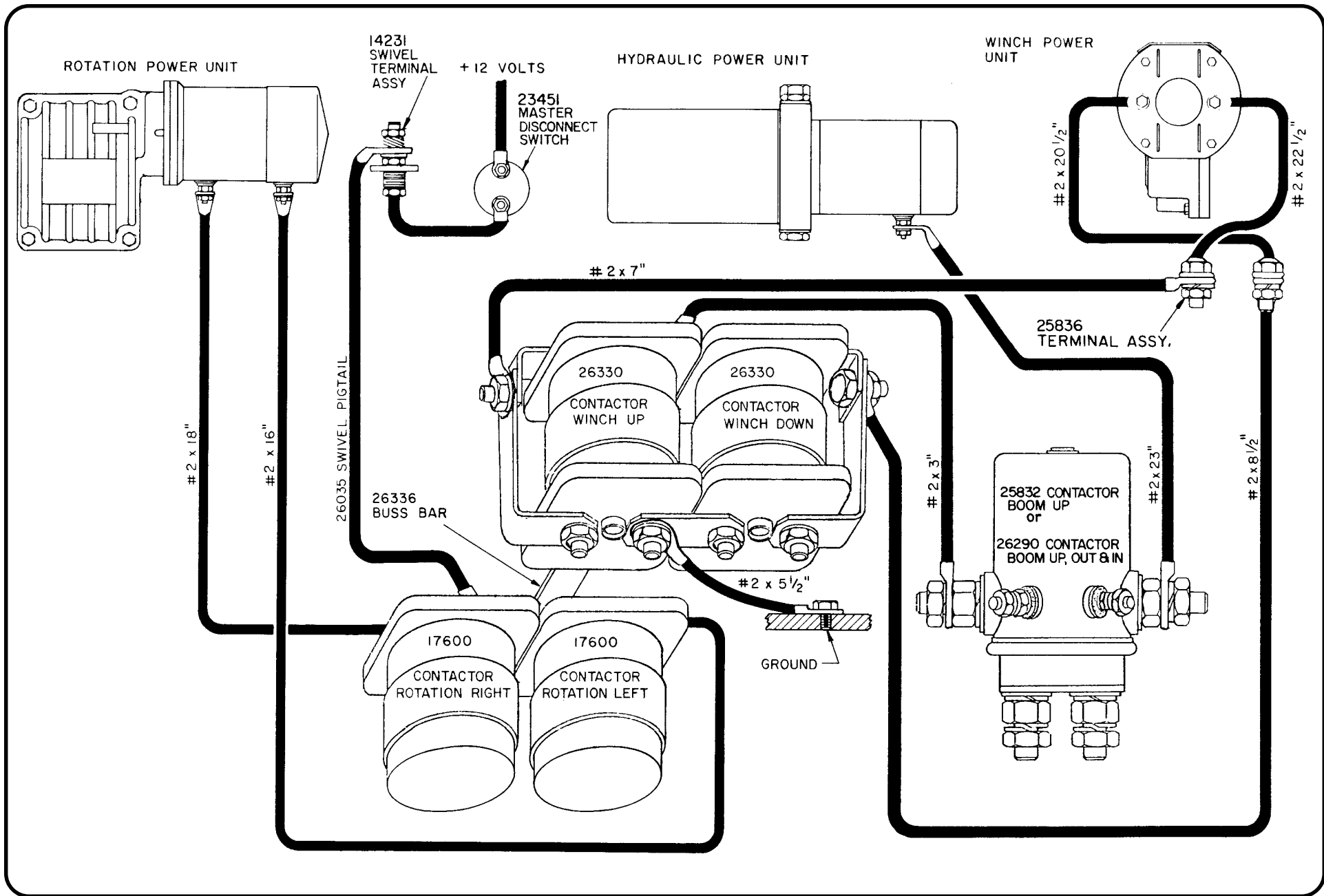
19197-2 ANTI-TWO-BLOCK SYSTEM

SUPERSEDES
9-5-01A

20197-2

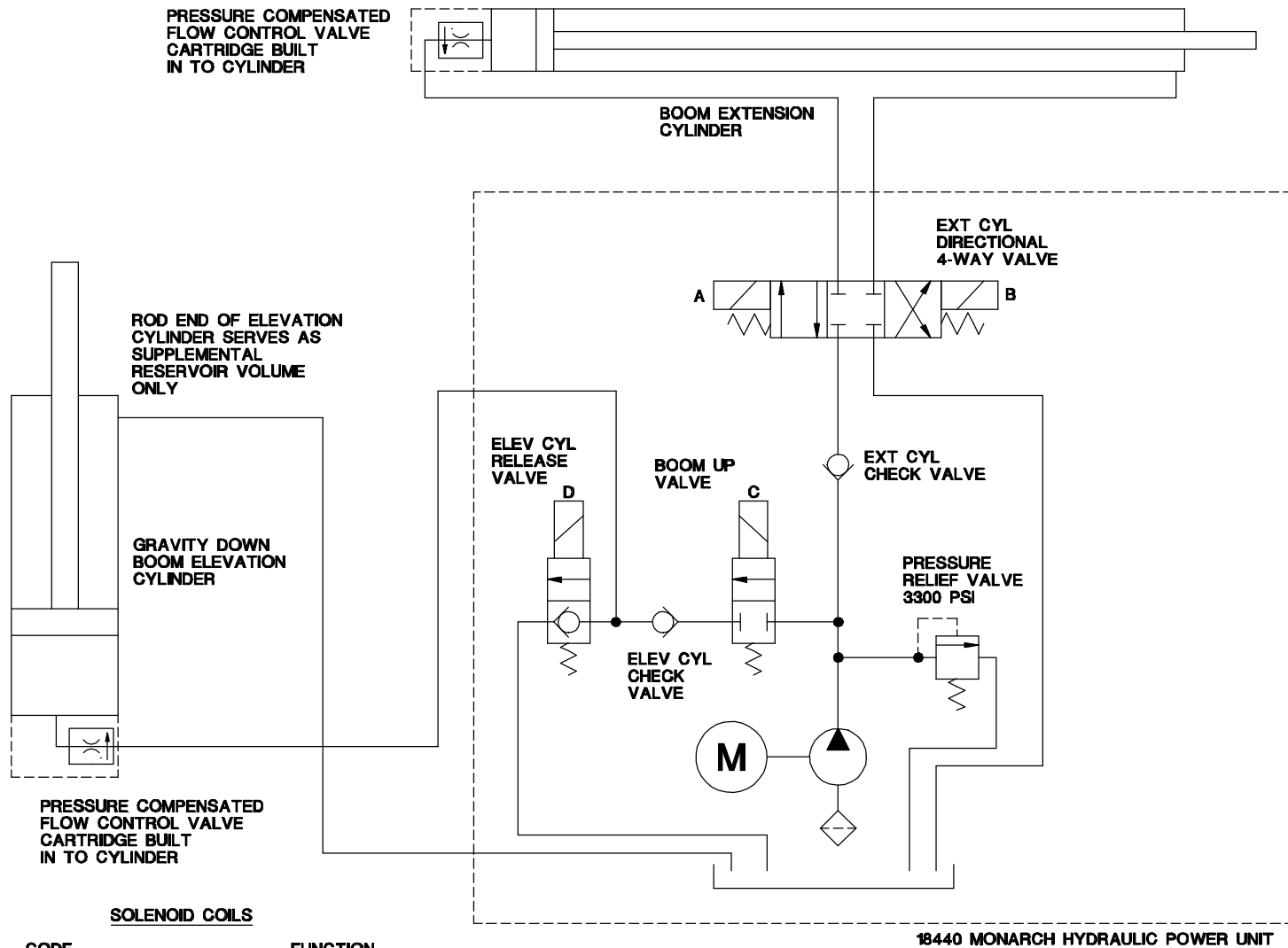


SERIAL NUMBERS:
ET25KX 75257 & UP



MANUFACTURING, INC.
 CINCINNATI, OHIO

TITLE BATTERY & MOTOR CABLE DIAGRAM ET20K(X), ET25K(X), ET30K, ET36KX	DATE 6-24-98B	SECTION C400
	SUPERCEDES 5-20-92A	17533



SOLENOID COILS

CODE	FUNCTION
A	BOOM OUT 6 VDC
B	BOOM IN 6 VDC
C	BOOM UP 6 VDC
D	BOOM DOWN 12 VDC

HYDRAULIC POWER UNIT SPECIFICATIONS

MOTOR: 12 VOLT DC WITH 3/16" DRAIN HOLE
HEAVY DUTY INTERMITTENT DUTY

PUMP: 1.2 CC/REV

RELIEF: ADJUSTABLE TO 3300 PSI

TANK: 250 CU-IN MINIMUM USEABLE VOLUME

PERFORMANCE: 1.1 GPM @ 2700 PSI @ 11.7 VOLTS &
205 AMPS PUMPING SAE #20 OIL @ 100°F



MANUFACTURING, INC.
CINCINNATI, OHIO

TITLE
HYDRAULIC CIRCUIT DIAGRAM

ET25KX

DATE
10-17-97

SUPERSEDES
-

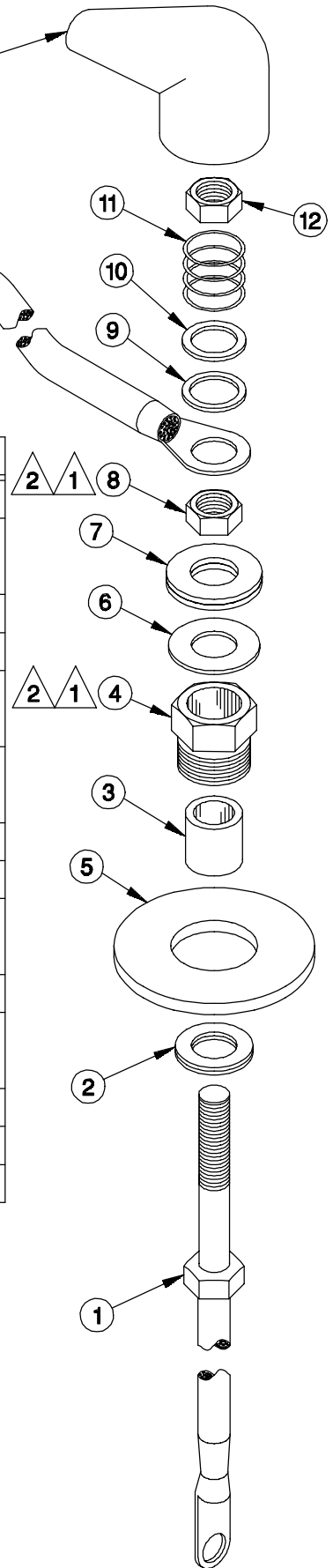
SECTION
C300

19392

16780 SWIVEL TERMINAL ASSY.

17012 RUBBER BOOT - REF

26035 SWIVEL
PIGTAIL - REF



ITEM	QTY	PART NO.	DESCRIPTION
1	1	16783	PIGTAIL & STUD ASSY
*2	2	14357-1	FIBER WASHER 5/8" I.D. x 1 1/16" O.D. x 1/16" THK
*3	1	14233	INSULATING BUSHING
4	1	14232-R	7/8" INVERTED FLARE NUT
5	1	IFWSH-113SAE	FLAT WASHER 1 3/16" I.D. x 2 3/4" O.D. x 3/16" THK
*6	1	14357-2	FIBER WASHER 5/8" I.D. x 1 1/4" O.D. x 1/16" THK
*7	2	IFWSH-063SAE	FLAT WASHER - 5/8" SAE
*8	1	IJNUT-06311B	BRASS JAM NUT - 5/8"-11
*9	1	5612-162-62	TEFLON WASHER .657" I.D. x .875" O.D. x .062" THK
*10	1	5714-113-62	BRASS WASHER
*11	1	LC-098K-00	SPRING .845" O.D. x .098" W x 1.00" F.L.
*12	1	IJNUT-06311N	NYLON LOCK-JAMNUT - 5/8"-11
*13	1	LOCTITE-24205	LOCTITE CAPSULE GRADE 242 BLUE
*14	1	19368	16780 REPLACEMENT PARTS DWG

*ITEMS INCLUDED IN 16780-KIT (REPLACEMENT PARTS KIT)

16780 SWIVEL TERMINAL ASSY REPLACES & IS
INTERCHANGEABLE WITH 14231 SWIVEL TERMINAL
ASSY ON ET20000 & ET20K(X) CRANES.

1 TORQUE TO 30 FT-LBS.

2 SECURE WITH LOCTITE 242 BLUE

VENTURO MFG., INC.
CINCINNATI, OHIO

TITLE
REPLACEMENT PARTS

ET25K(X)

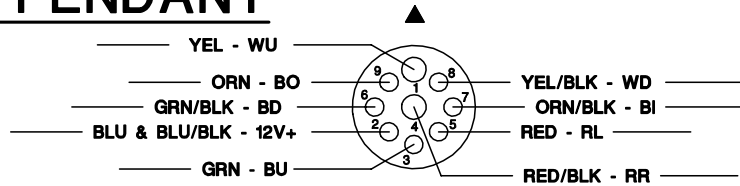
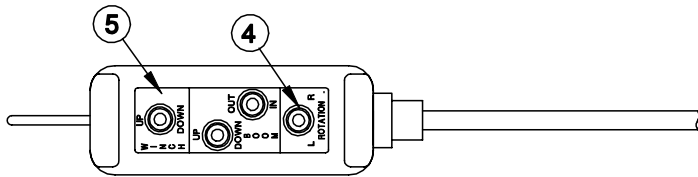
DATE
10-14-97A

SUPERSEDES
8-19-97

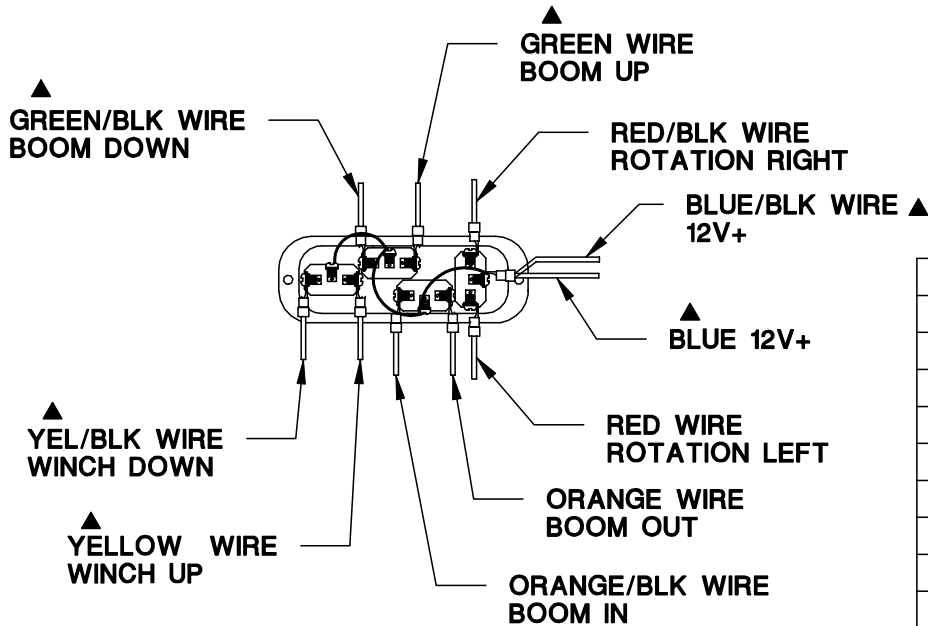
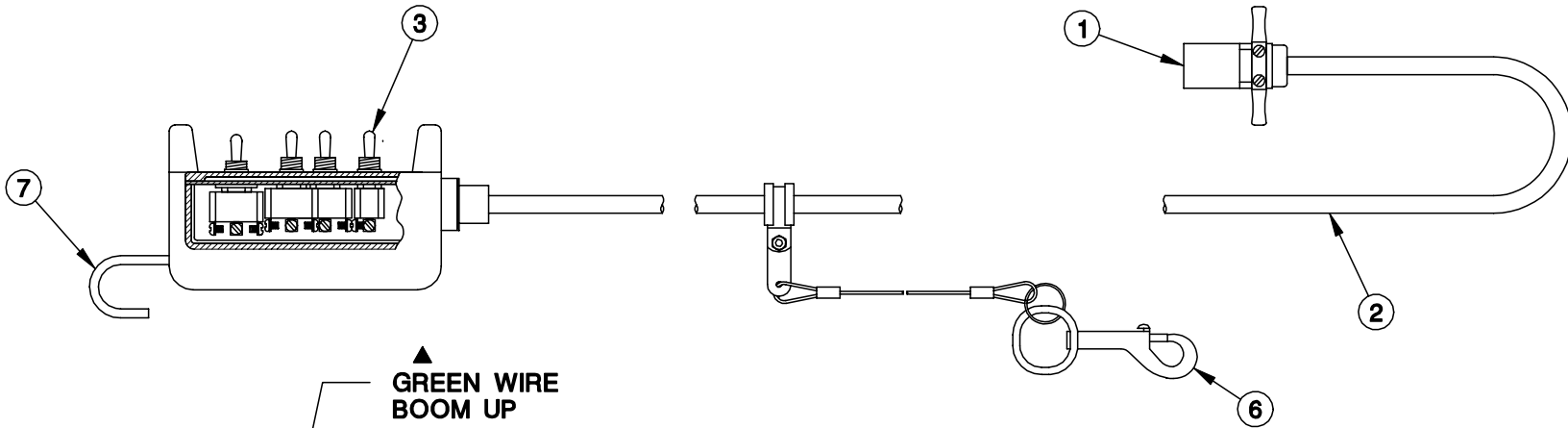
SECTION
C400

19368

20160 4-SWITCH PENDANT



PLUG - BACKSIDE VIEW



▲ NOTE: BLACK WIRE IS NOT USED

ITEM	QTY	PART NO.	DESCRIPTION
10	1	20165	GASKET / CORD RESTRAINT - PENDANT HEAD
9	1	20164	BASE - PENDANT HEAD
8	1	20163	COVER - PENDANT HEAD
7	1	11557	PENDANT HOOK
6	1	15913-2	PHAN, CLAMP AND TETHER ASSY
5	1	17363	DECAL
4	4	19793	TOGGLE BOOT
3	4	13763	TOGGLE SWITCH
2	1	26262-xx	CORD ASSY (xx = LENGTH IN FT.)
1	1	26263	PLUG - 9 POLE



MANUFACTURING, INC.
CINCINNATI, OHIO

TITLE
REPL. PARTS DWG.

4 FUNCTION CRANES

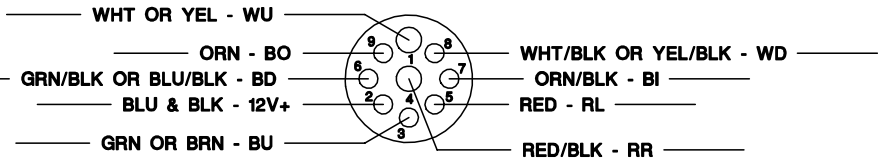
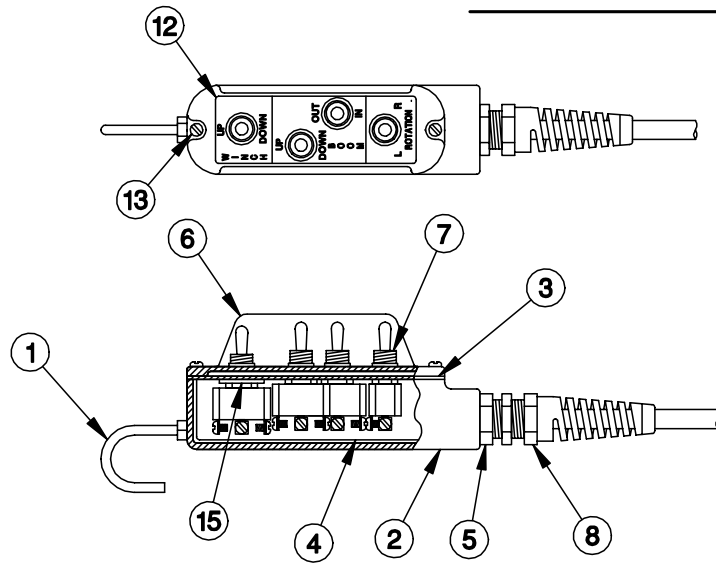
DATE
7-16-01B

SUPERSEDES
4-10-00A

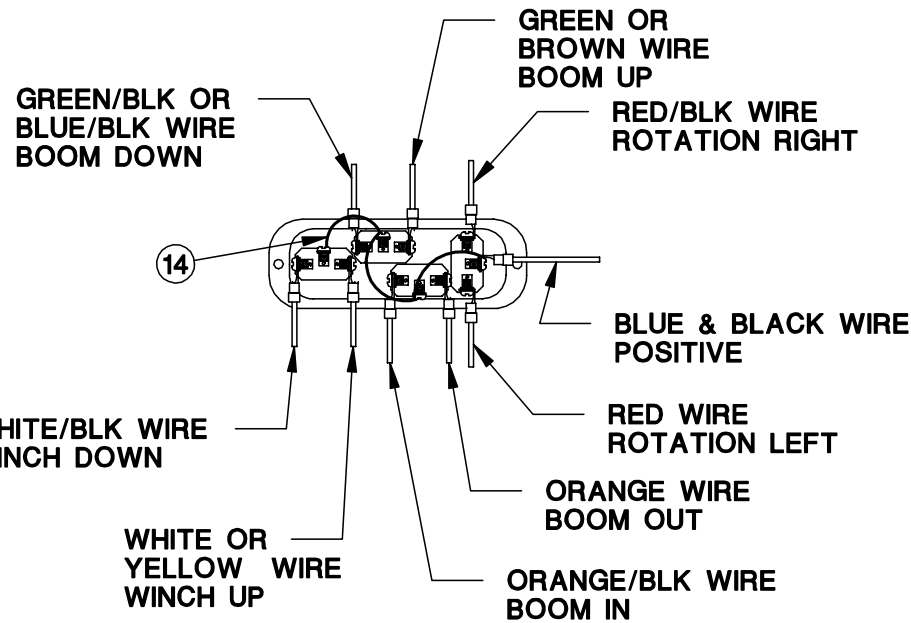
SECTION
C400

20161

▲ 17360 SERIES PENDANT CORD



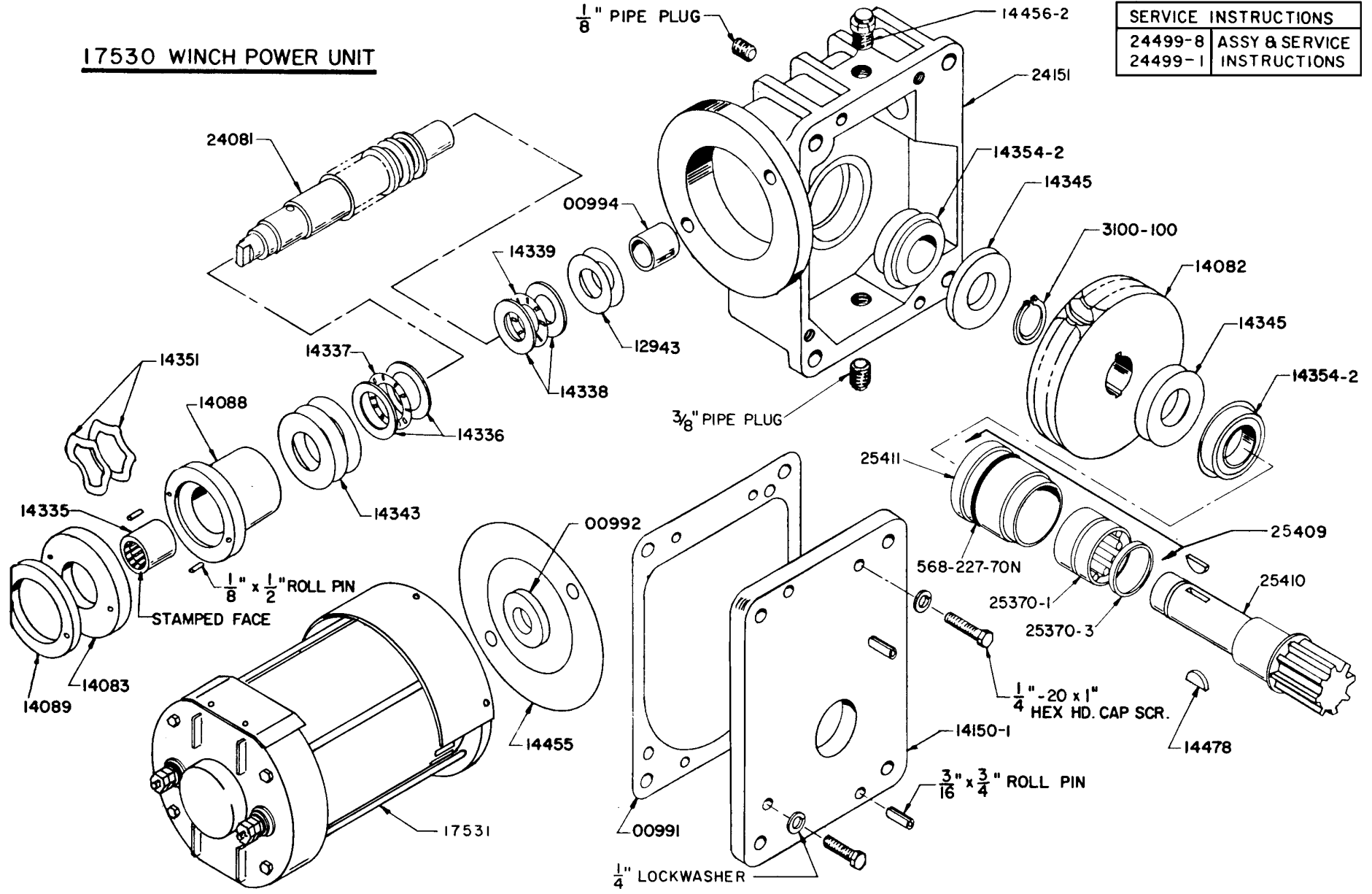
PLUG - BACKSIDE VIEW



15	1	12534-4	MACHINERY BUSHING - 1/2" I.D. x 7/8" O.D. x 14 GA.
14	1	19307	4SW PENDANT CORD JUMPER
13	2	IPHCS#0832050	PHCS 8-32 x 1/2
12	1	17363	DECAL, CRANE CONTROL
11	1	26262-xx	CORD ASSY (xx = LENGTH IN FT.)
10	1	26263	PLUG - 9 POLE
9	1	15913-2	PHAN, CLAMP AND TETHER ASSY
8	1	25534	PLASTIC 3/4" STRAIN RELIEF
7	4	13763	TOGGLE SWITCH
6	1	17361	PENDANT COVER
5	1	HRDB16MP-12FP	HYD BUSHING
4	1	15629	INSULATOR FOR CONDULET
3	1	25625	GASKET 1"
2	1	25624	ENCLOSURE 1"
1	1	11557	PENDANT HOOK
ITEM	QTY	PART NO.	DESCRIPTION

17530 WINCH POWER UNIT

SERVICE INSTRUCTIONS	
24499-8	ASSY & SERVICE
24499-1	INSTRUCTIONS



MANUFACTURING, INC.
CINCINNATI, OHIO

TITLE
REPLACEMENT PARTS

ET20K(X), ET25K(X)

DATE
6-25-98A

SUPERCEDES
9-20-90

SECTION
C400

117530

REPLACEMENT PARTS LIST - 17530 WINCH POWER UNIT

MODEL: ET20K(X), ET25K(X)

PARTNO.	DESCRIPTION
* 00991 * 00992 00994 * 12943-1 * 12943-2	GASKET SEAL WORM SHAFT BUSHING SHIM WASHER - 3/4" x 1 1/2" x .005" (AS REQUIRED) SHIM WASHER - 3/4" x 1 1/2" x .015" (AS REQUIRED)
* 12943-3 14082 14083 14088 14089	SHIM WASHER - 3/4" x 1 1/2" x .030" (AS REQUIRED) WORM GEAR BRAKE MOTOR CLUTCH HOUSING (INCLUDES 1/8" x 1/2" ROLL PIN) BRAKE DISC
14150-1 14335 14336 14337 14338	COVER ROLLER CLUTCH THRUST RACE - 1" NEEDLE THRUST BEARING - 1" I.D. THRUST RACE - 3/4"
14339 * 14343-1 * 14343-2 * 14343-4 * 14345-1	NEEDLE THRUST BEARING - 3/4" I.D. SHIM WASHER - 1" x 1 1/2" x .005" (AS REQUIRED) SHIM WASHER - 1" x 1 1/2" x .015" (AS REQUIRED) SHIM WASHER - 1" x 1 1/2" x .031" (AS REQUIRED) SHIM WASHER - 1" x 2" x .005" (AS REQUIRED)
* 14345-2 * 14351 14354-2 * 14455 14456-2 * 14478	SHIM WASHER - 1" x 2" x .015" (AS REQUIRED) WAVE WASHER BALL BEARING GASKET - MOTOR BREATHER CAP ASSEMBLY #91 WOODRUFF KEY - 1/4" x 3/4"
14487 16485 17531 24081 24151	MOTOR REPAIR KIT (INCLUDES 00992 SEAL & 14455 GASKET) SHIM, KEY, PIN & SEAL KIT (INCLUDES ITEMS MARKED *) MOTOR (INCLUDES 00992 SEAL) WORM & SHAFT GEAR CASE
25370-1 * 25370-3 25409 25410 25411	ROLLER BEARING (INCLUDES 25370-3 SEAL) SEAL BEARING & HOUSING ASSEMBLY (INCLUDES 25370-1, 25370-3, 25411 & 568-277-70N) PINION SHAFT & RACE ASSEMBLY BEARING HOUSING
* 3100-100 * 568-227-70N * - * -	RETAINING RING O-RING - 2 1/8" x 2 3/8" x 1/2" ROLL PIN - 1/8" x 1/2" ROLL PIN - 3/16" x 3/4"

 17530 POWER UNIT INTERCHANGEABLE WITH & REPLACES 24408 ON ET20K(X) CRANE

SPECIFY POWER UNIT NUMBER & CRANE SERIAL NUMBER WHEN ORDERING REPLACEMENT PARTS.

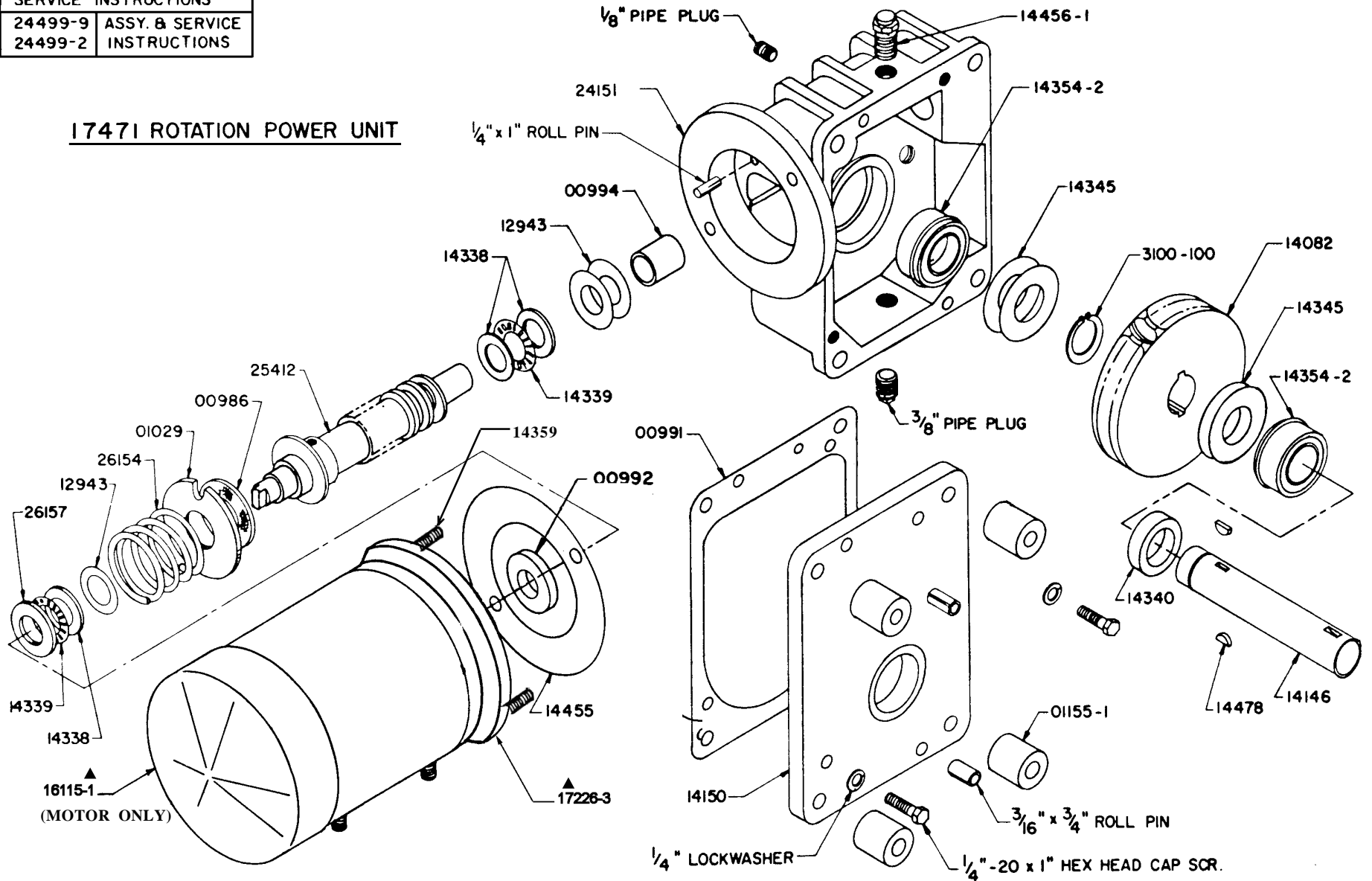


MFG., INC.
CINCINNATI, OHIO

TITLE	DATE	SECTION
REPL. PARTS LIST	6-25-98A	C400
17530 WINCH PU	SUPERCEDES 9-20-90	900617

SERVICE INSTRUCTIONS	
24499-9	ASSY. & SERVICE
24499-2	INSTRUCTIONS


17471 ROTATION POWER UNIT




MANUFACTURING, INC.
CINCINNATI, OHIO

TITLE	DATE	SECTION
REPLACEMENT PARTS	1-4-01D	C400
ET20K(X), ET25K(X), ET30K	SUPERCEDES 6-25-98C	17472


REPLACEMENT PARTS LIST - 17471 ROTATION POWER UNIT

MODEL: ET20K(X), ET25K(X), ET30K, ET36KX 

PARTNO.	DESCRIPTION
17471	ROTATION POWER UNIT
* 00986 * 00991 00994 01029 01155-1	BRAKE DISK GASKET WORM SHAFT BUSHING BRAKE PLATE SPACER
* 12943-1 * 12943-2 * 12943-3 14082 14146	SHIM WASHER - 3/4" x 1 1/2" x .005" (AS ERQUIRED) SHIM WASHER - 3/4" x 1 1/2" x .015" (AS ERQUIRED) SHIM WASHER - 3/4" x 1 1/2" x .030" (AS ERQUIRED) WORM GEAR OUTPUT SHAFT
14150 14338 14339 * 14340 * 14345-1	COVER THRUST RACE - 3/4" NEEDLE THRUST BEARING - 3/4" SHAFT SEAL - 1" SHIM WASHER - 1" x 2" x .005" (AS REQUIRED)
* 14345-2 14354-2 * 14455 19276 * 14478 24151	SHIM WASHER - 1" x 2" x .015" (AS ERQUIRED) BALL BEARING GASKET - MOTOR BREATHER CAP ASSEMBLY #91 WOODRUFF KEY - 1/4" x 3/4" GEAR CASE (INCLUDES 1/4" x 1" ROLL PIN)
16115  25412 26154 26157 * 3100-100 * IRPIN-025100 IRPIN-019075	MOTOR - 12 VOLT, 2 TERMINAL WORM SHAFT & ROTOR ASSEMBLY BRAKE SPRING THRUST WASHER RETAINING RING ROLL PIN - 1/4" x 1" (BRAKE PLATE) ROLL PIN - 3/16" x 3/4" (BASE PLATE)
16485 17467	SHIM, KEY, PIN & SEAL KIT (INCLUDES ITEMS MARKED *) MOTOR REPAIR KIT (INCLUDES 14455 GASKET)

 17471 POWER UNIT INTERCHANGEABLE AS A COMPLETE UNIT WITH & REPLACES 14407, 14409, 24409 & 26439

SPECIFY POWER UNIT NUMBER & CRANE SERIAL NUMBER WHEN ORDERING REPLACEMENT PARTS.

 16115 MOTOR REPLACES 24364 MOTOR ON 24409 POWER UNITS.
16115 MOTOR REPLACES 14362 MOTOR ON 14407 & 14409 POWER UNITS.
16115 MOTOR REPLACES 24362 MOTOR ON 26439 POWER UNITS.



MFG., INC.
CINCINNATI, OHIO

TITLE
REPL. PARTS LIST

17471 WINCH PU

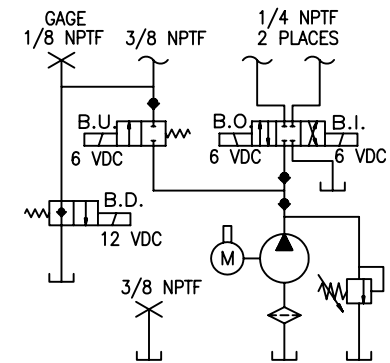
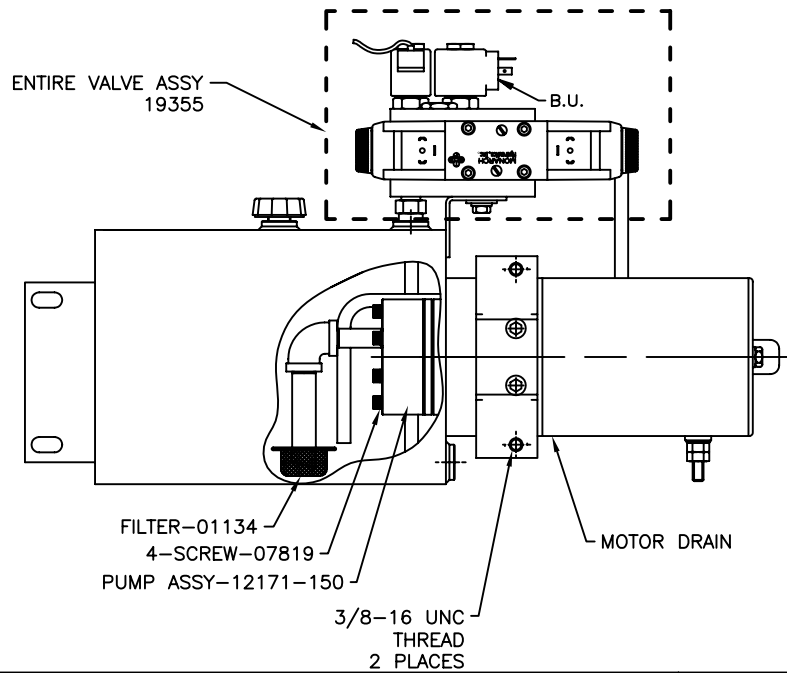
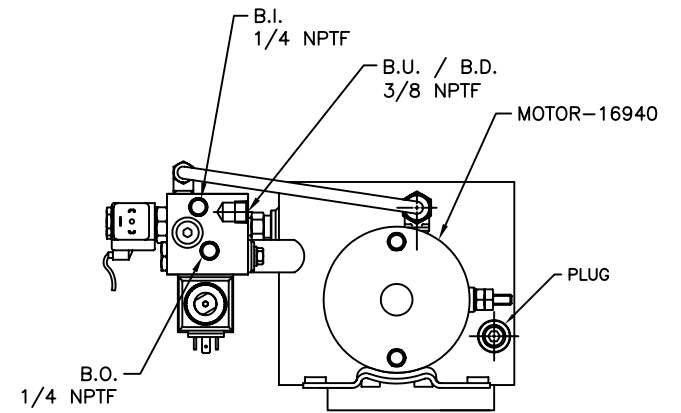
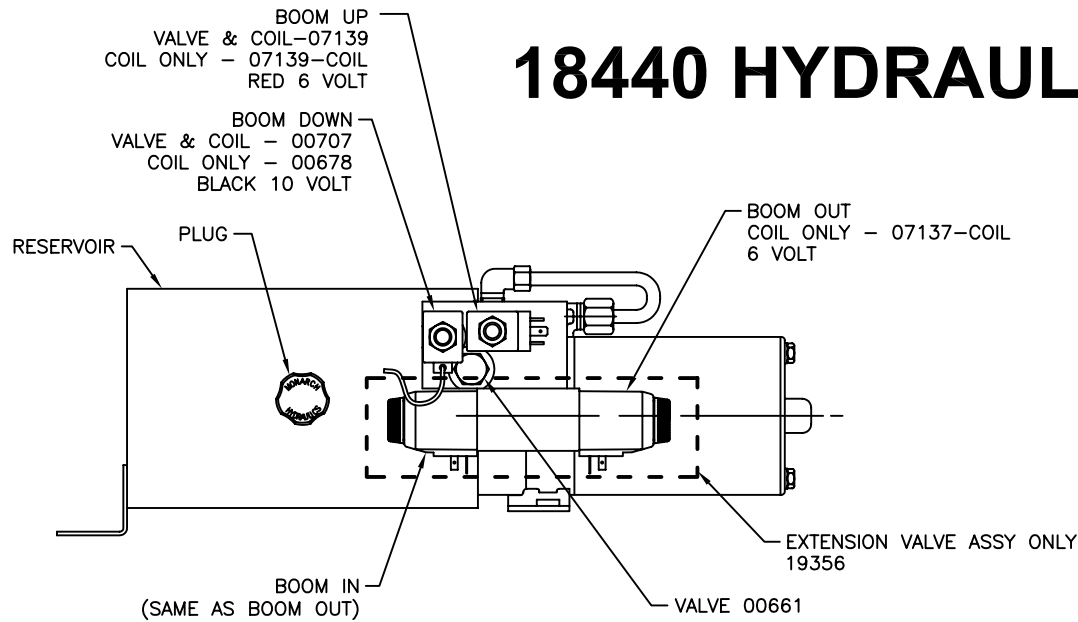
DATE
12-18-00D

SUPERCEDES
6-25-98C

SECTION
C400

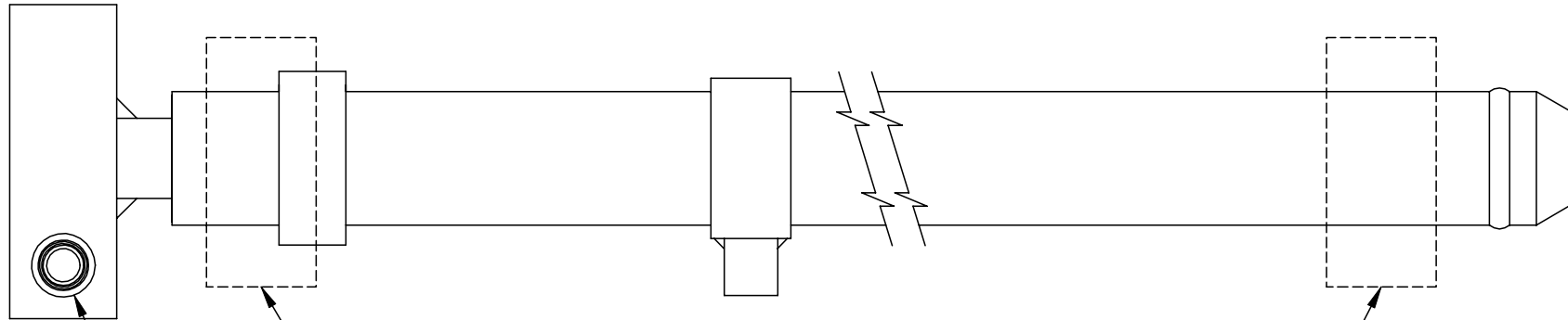
900319

18440 HYDRAULIC POWER UNIT



SCHMATIC

19886-1 EXTENSION CYLINDER



19244 - O-RING*
 19245 - POLYPAK*
 19246 - ROD WIPER*

19242 - POLYPAK (QTY 2)*
 19243 - O-RING*

19247 - COUNTERBALANCE VALVE

* ITEMS INCLUDED IN 19887 SEAL KIT

VENTURO MANUFACTURING, INC.
 CINCINNATI, OHIO

TITLE
 EXTENSION CYLINDER

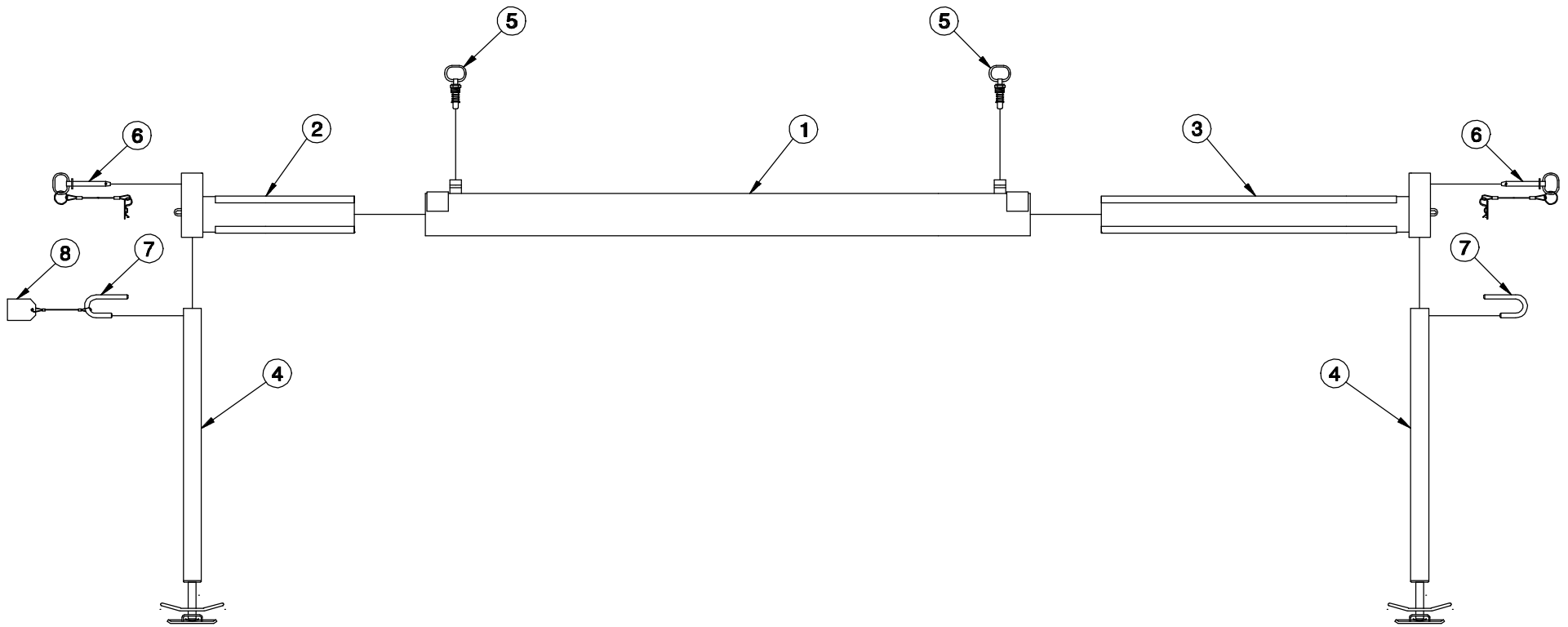
DATE
 7-6-01

SECTION
 C400

ET/HT25KX

SUPERSEDES
 -

19908



8	1	14517	TAG - HANDLE INSTALLATION
7	2	23980	OUTRIGER LEG HANDLE
6	2	23976	HITCH PIN WITH LANYARD
5	2	22433	SPRING LOADED PIN ASSY
4	2	24073-4	MANUAL DROP LEG
3	1	22420-2	PULLOUT - LONG
2	1	22420-1	PULLOUT - SHORT
1	1	22425	CROSS TUBE WELDED ASSY
ITEM	QTY	PART NO	DESCRIPTION

VENTURO MANUFACTURING, INC.
CINCINNATI, OHIO

TITLE
REPLACEMENT PARTS DWG & LIST

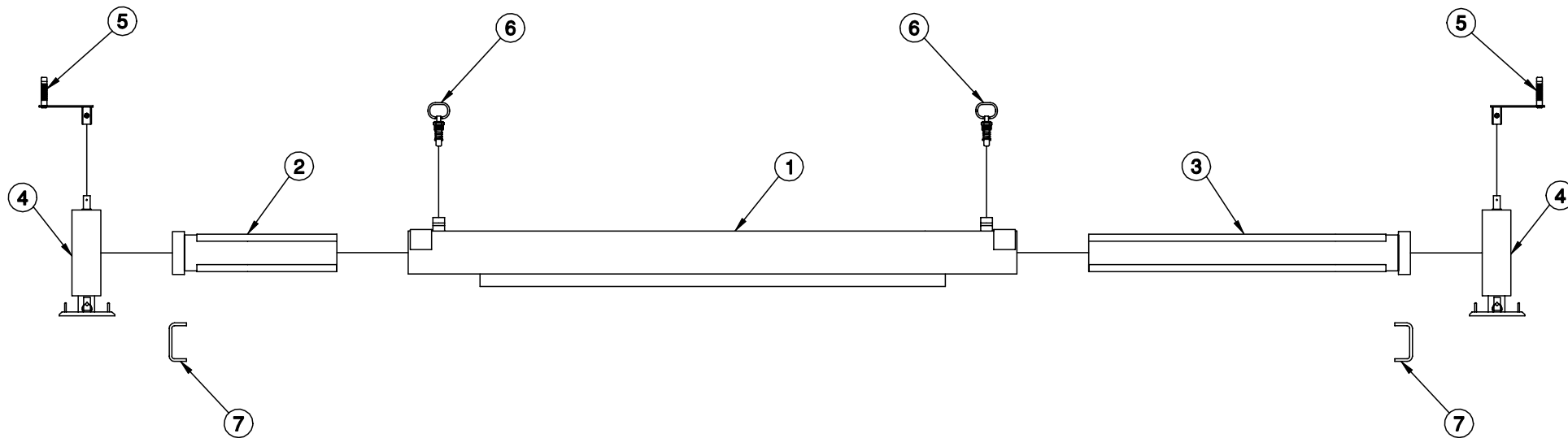
DATE
10-14-97A

SECTION
C400

23962-P-II MANUAL OUTRIGGERS

SUPERSEDES
7-8-97

22434



NOTE: CUSTOMER TO WELD (3/16" BEAD) ITEM 4
 (CRANK DOWN LEG) IN PLACE AFTER ADJUSTING
 FOR PROPER GROUND CLEARANCE AND TRAVEL
 CUSTOMER TO WELD (3/16" BEAD) ITEM 7
 (HANDLE) IN PLACE IN A SUITABLE LOCATION

▲ IF USING CRANKDOWN OUTRIGGER LEGS
 (ITEM 4) WITH 4" X 4" TUBING YOU WILL
 NEED TO SPECIFY 22422 FOR ITEM 2
 AND 22423 FOR ITEM 3.

7	2	19344	HANDLE
6	2	22433	SPRING LOADED PIN ASSY
5	2	19008	CRANK ASSY - OUTRIGGER
4	2	22440	CRANK DOWN LEG
3	1	▲ 22569	PULLOUT - LONG
2	1	▲ 22568	PULLOUT - SHORT
1	1	22426	CROSS TUBE WELDED ASSY
ITEM	QTY	PART NO	DESCRIPTION

VENTURO MANUFACTURING, INC.
 CINCINNATI, OHIO

TITLE
 REPLACEMENT PARTS DWG & LIST

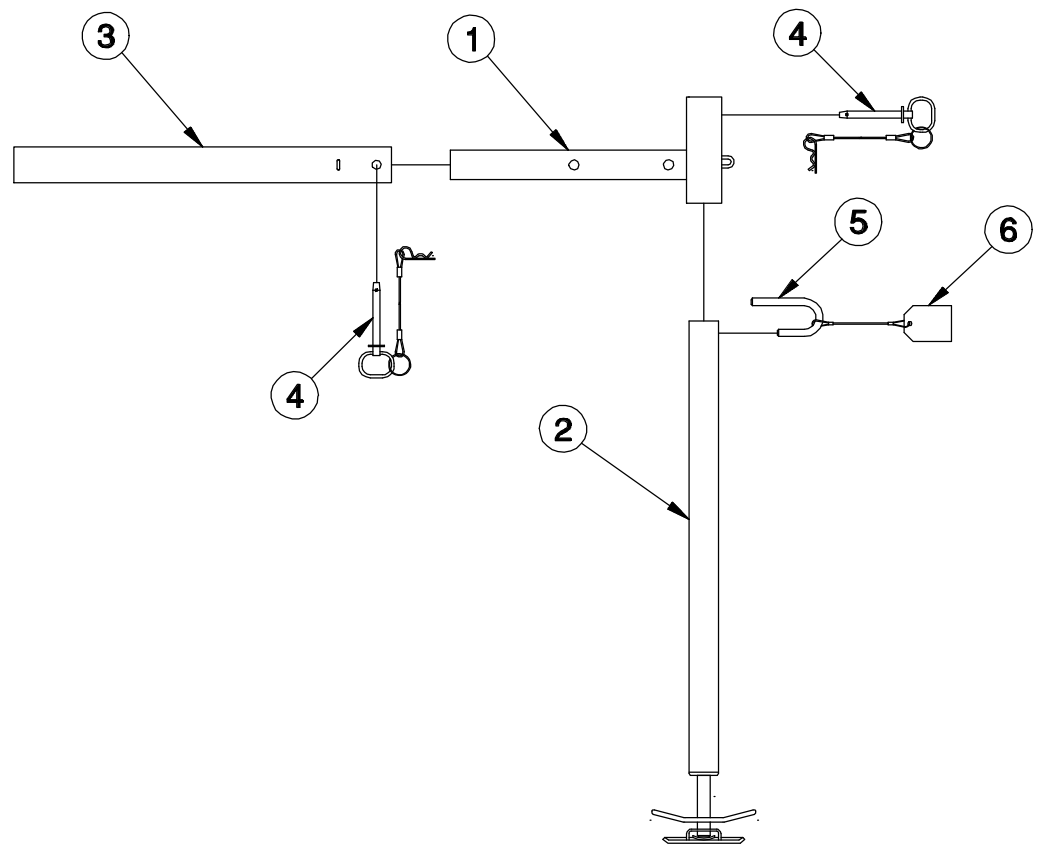
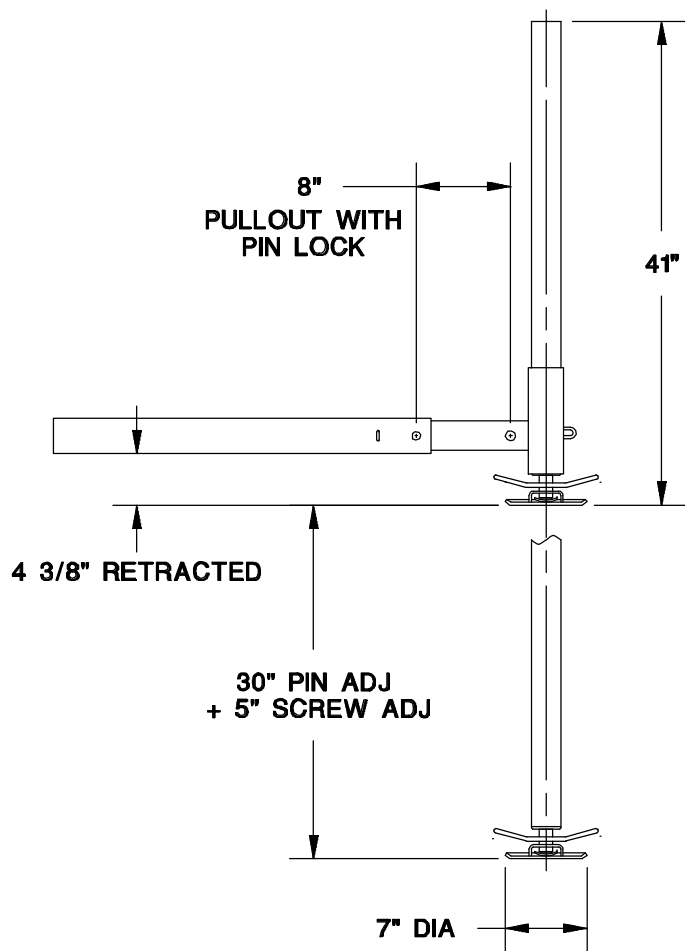
DATE
 11-7-01B

SECTION
 C400

23962-CD-II HD CRANKDOWN O.R.

SUPERSEDES
 7-30-99A

22441



6	1	14517	TAG - HANDLE INSTALLATION
5	1	23980	OUTRIGGER LEG HANDLE
4	2	23976	HITCH PIN WITH LANYARDS
3	1	23962-4	STUB MOUNTING TUBE
2	1	24073-4	SECONDARY LEG ASSEMBLY
1	1	23979	STUB OUTRIGGER
ITEM	QTY	PART NO.	DESCRIPTION

VENTURO MANUFACTURING, INC.
CINCINNATI, OHIO

TITLE
INSTALLATION DRAWING

DATE
4-14-98D

SECTION
C100

STUB OUTRIGGER

SUPERSEDES
1-18-90C

23962-2