



**VENTURO**  
TRUCK MOUNTED CRANES

**ET25KX**

*ELAAAC-\*\**

**INSTALLATION & OWNER'S MANUAL**



# TABLE OF CONTENTS

## ET25KX (ELAAAC-\*\*) OWNER'S MANUAL

### SECTION 100

21891a	<u>DESCRIPTION &amp; SPECIFICATIONS</u>
21891b	SPECIFICATIONS & OPERATING FEATURES
21892	SPECIFICATIONS & OPERATING FEATURES
21080	INSTALLATION DIMENSIONS; ET25K(X)
21893	MOUNTING DIMENSIONS; BASE PLATE
	CAPACITY CHART; ET25KX W/ 10-16-20 FT. BOOM

### SECTION 150

850711	<u>SAFETY</u>
15394	SAFETY & HAZARDS - GENERAL
21353	VEHICLE & CRANE ELECTRICAL HAZARD INFORMATION
21384	SAFETY DECALS
21354	SAFETY DECALS
21895	DECALS FOR ET CRANES
	MODEL & CAPACITY DECALS

### SECTION 200

711105	<u>INSTALLATION</u>
15660	CABLE & BATTERY REQUIREMENTS - ET & HT CRANES
▲ 20906-25	BATTERY CABLE INSTALLATION DRAWING
20907	STABILITY TESTING
22245	STABILITY CHART
	WIRE ROPE INSTALLATION

### SECTION 300

21878	<u>MAINTENANCE &amp; SERVICE</u>
19963	LUBRICATION & MAINTENANCE CHART
23228	MINIMUM VOLTAGE TEST
	WIRE ROPE & HOOK SPECIFICATIONS

### SECTION 400

21896	<u>REPLACEMENT PARTS</u>
21897	REPLACEMENT PARTS DRAWING; ET25KX
21198	REPLACEMENT PARTS LIST; ET25KX
21199	REPLACEMENT PARTS DRAWING; BOOM
23026	REPLACEMENT PARTS LIST; 27198 Boom
27029	REPLACEMENT PARTS DRAWING; ANTI-2-BLOCK SYSTEM
21776	ANTI-2-BLOCK WIRING ADJUSTMENT
21859	REPLACEMENT PARTS DRAWING; 23154-2 ELECTRICAL COMPONENT
19368	WIRING DIAGRAM; ET25/30/36KX W/ OPERATOR CONTROLLED HORN
22076	REPLACEMENT PARTS DRAWING & LIST; SWIVEL TERMINAL ASSY
23075	REPLACEMENT PARTS DRAWING & LIST; 22060 4-FUNCTION PENDANT CONTROLLER
21758	21990 PENDANT; REPLACEMENT PARTS DRAWING / LIST (4 FUNCTION)
20156	REPLACEMENT PARTS DRAWING & LIST; HYDRAULIC SYSTEM COMPONENTS
21879	HYDRAULIC SYSTEM SCHEMATIC
21773	REPLACEMENT PARTS DRAWING; 20061 EXTENSION CYLINDER W/ SEAL KIT INFO
21053	REPLACEMENT PARTS DRAWING; 21752 ELEVATION CYLINDER W/ SEAL KIT INFO
21886	REPLACEMENT PARTS DRAWING; 19813 WINCH
21894	REPLACEMENT PARTS DRAWING; 21418 SLEWING RING
21899	DECAL PLACEMENT
	FIELD SERVICE LABEL KIT; 21898 (ET25KX, GEN C)



VENCO VENTURO INDUSTRIES LLC  
CINCINNATI, OHIO

TITLE	DATE	SECTION
TABLE OF CONTENTS	08-04-15F	-
ET25KX (ELAAAC-**)	SUPERSEDES 10-28-14E	<b>23034</b>

**SECTION 100**

**DESCRIPTION**

**&**

**SPECIFICATIONS**

# SPECIFICATIONS AND OPERATING FEATURES

ET25KX-10/20

## SPECIFICATIONS

12 VOLT BATTERY OPERATED

25,000 FT-LBS OVERTURNING MOMENT (Or as limited by truck stability)

MOMENT OVERLOAD SYSTEM

TELESCOPIC BOOM	10 / 20
BOOM HYD ELEVATION	-8° TO 75°
BOOM HYD EXT	10 - 16 FT
BOOM MANUAL EXT	4 FT
CAPACITY	1250 LBS @ 20 FT REACH
	5000 LBS @ 3 TO 5 FT REACH
WIRE ROPE	5/16" DIA x 80 FT
PENDANT CORD LENGTH	25 FT

WINCH - 2500 LBS SINGLE LINE CAPACITY  
With Automatic Load Brake

ELECTRIC HYDRAULIC BOOM ELEVATION

ELECTRIC HYDRAULIC BOOM EXTENSION & RETRACTION - 6 FT STROKE

360° CONTINUOUS

REMOTE CONTROL PENDANT

25 ft Straight Cord with Four Environmentally Sealed Toggle Switches Protected by a Guard

MASTER DISCONNECT SWITCH

OUTRIGGERS AVAILABLE

Side Bracket Type Outriggers

Fold Away Type Outriggers

Pullout Type Outrigger System



TITLE  
**INSTALLATION DWG**

DATE  
**10-9-09**

SECTION  
**C120**

**ET25KX-10/20**

SUPERCEDES  
-

**21891a**

## **OVERLOAD SENSING SYSTEM**

This crane is equipped with an Overload Sensing System. If the capacity of the crane is exceeded, the "Winch Up", "Boom Down", and "Boom Out" functions will be shut down. The "Winch Down", "Boom Up", and "Boom In" functions will continue to operate and can be used to relieve the overload condition. The "Rotation" function also will continue to operate.

## **CONTROL PRIORITY SYSTEM**

The design intent of the electrical and hydraulic system is such that some functions can be operated simultaneously, while others are meant to be operated individually. To summarize the control system see the explanations below.

- Winch up takes priority over all functions.
- Winch Down can be operated with any other single function.
- Hydraulic functions (Rotation Right, Rotation Left, Boom Up, Boom Down, Boom Out and Boom In) are designed to function one at a time.

## **CABLE DRUM AND SHEAVE DIAMETERS**

The drum on the ET25KX is 5-5/16" in diameter which provides the first layer wire rope pitch diameter 18 times the rope diameter as required by ANSI B30.5 Cranes Standards. The cable sheaves are either 16 (snatch block) or 18 (boom) times the cable diameter which likewise conforms.

## **MISCELLANEOUS**

### A. CAPACITY INDICATOR

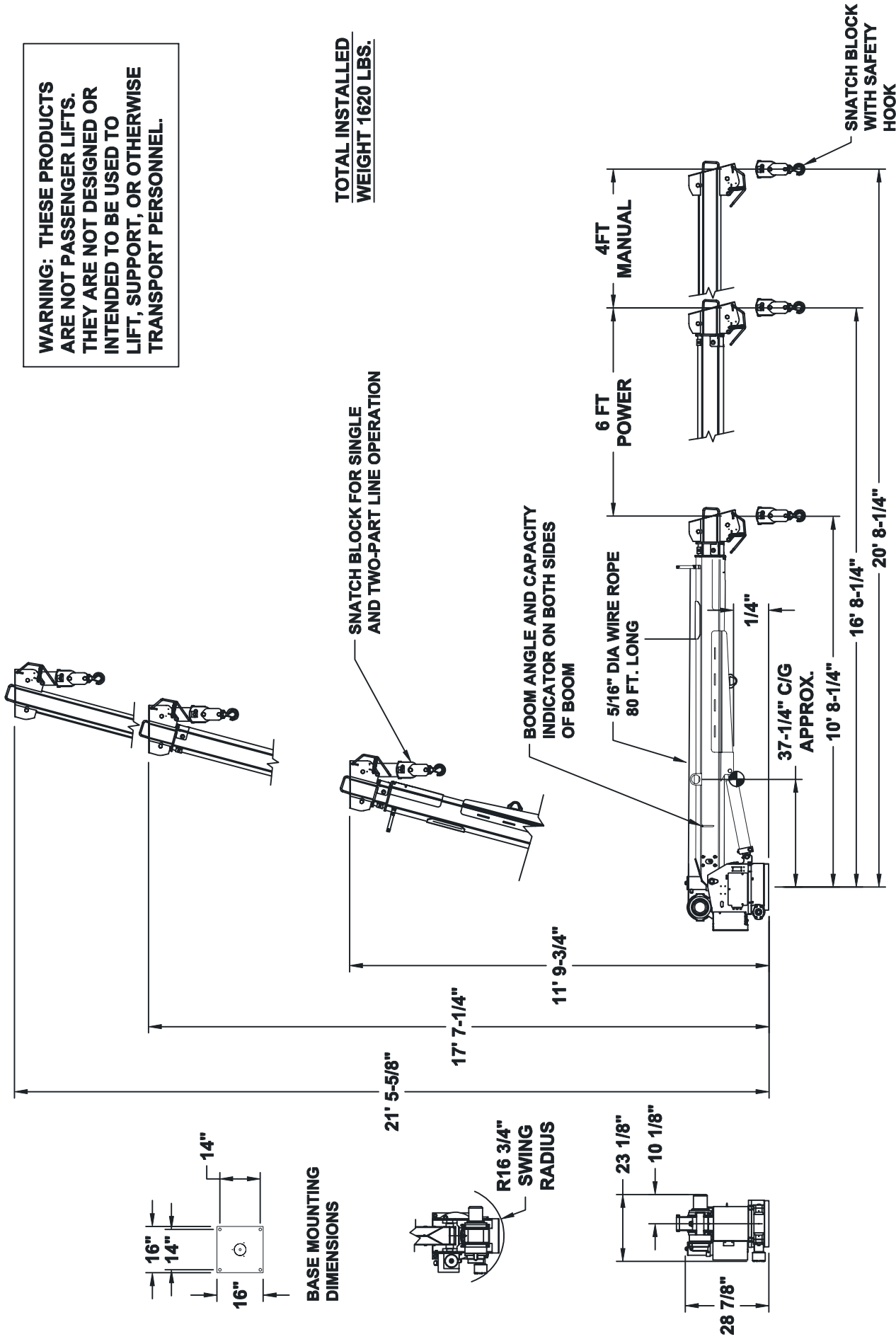
Select boom reach and angle allowable for load by using capacity indicator arrow and chart on either side of boom.

### B. BATTERY HOOKUP

A parallel auxiliary battery should be installed near the crane as shown on Dwg. 19947 under "RECOMMENDED INSTALLATION". The parallel auxiliary battery minimum rating should be 450 Cold Cranking Amps (at 0° F) and 100 reserve capacity, or 78 plates and 70 amp hours.

**WARNING: THESE PRODUCTS ARE NOT PASSENGER LIFTS. THEY ARE NOT DESIGNED OR INTENDED TO BE USED TO LIFT, SUPPORT, OR OTHERWISE TRANSPORT PERSONNEL.**

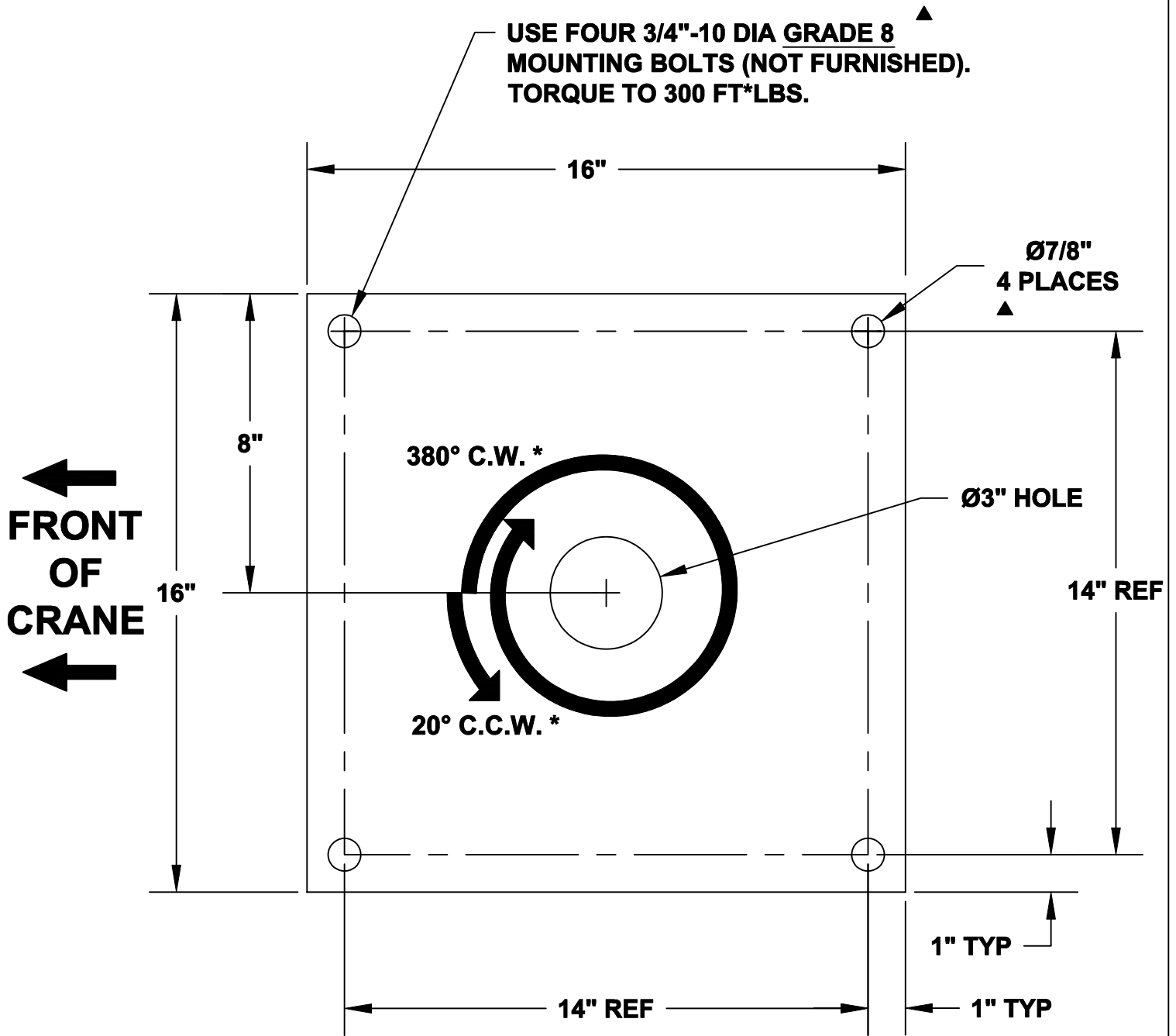
**TOTAL INSTALLED WEIGHT 1620 LBS.**



<b>TITLE</b> <b>INSTALLATION DRAWING</b> <b>ET25KX - 10/16/20 BOOM</b>		<b>DATE</b> <b>10-9-09</b>	<b>SECTION</b> <b>C100</b>
		<b>SUPERSEDES</b> <b>-</b>	<b>21892</b>
<b>VENTURO</b> MANUFACTURING, INC. CINCINNATI, OHIO			

# ET/HT25/30/36KX BASE MOUNTING DIMENSIONS

USE FOUR 3/4"-10 DIA GRADE 8 MOUNTING BOLTS (NOT FURNISHED). TORQUE TO 300 FT\*LBS.



\* Rotation limits typically apply to HT cranes only. ET cranes generally have continuous rotation.



MFG., INC.  
CINCINNATI, OHIO

TITLE  
**BASE MOUNTING**

ET/HT25/30/36

DATE  
**02-13-12E**

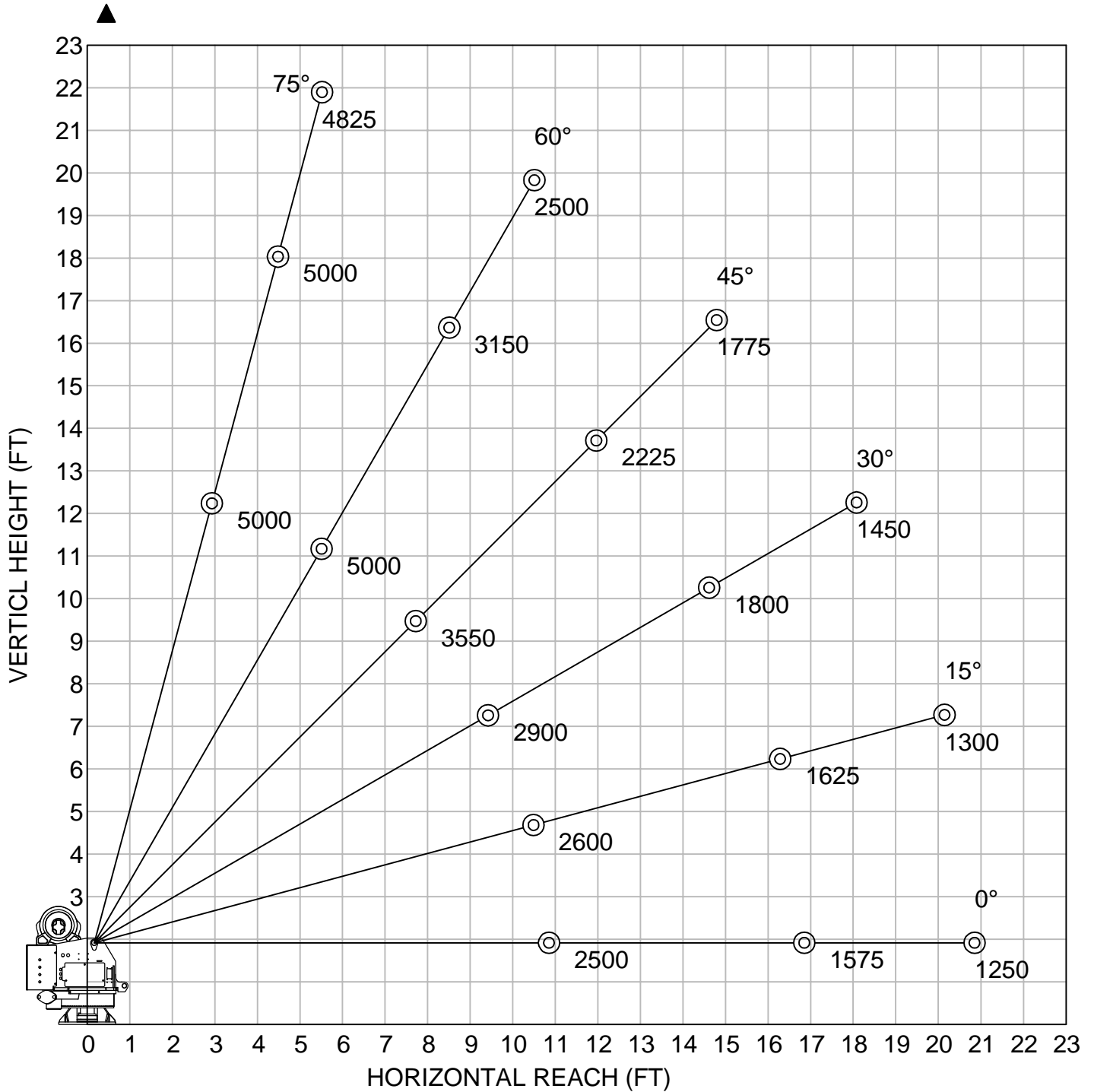
SUPERSEDES  
**12-14-11D**

SECTION  
**C100**

**21080**



# ET/HT25KX, 10-16-20 FT. BOOM MAXIMUM CAPACITY CHART



▲ Weight of load handling devices are part of the load and must be deducted from the gross capacity.

**LOAD BLOCK USAGE:**

1 part line for loads less than 2500 lbs.

2 part line for loads of 2500 lbs. and greater.

Weight of Load Block = 34 lbs.



MANUFACTURING, INC.  
CINCINNATI, OHIO

TITLE	CAPACITY CHART
	ET/HT25KX, 10'-16'-20'

DATE	04-30-13B
SUPERSEDES	07-01-10A

SECTION	C100
	21893

# SECTION 150

## SAFETY

# CRANE SAFETY AND HAZARDS

## CAUTIONS

1. INSPECT VEHICLE AND CRANE, INCLUDING OPERATION, PRIOR TO USE DAILY.
2. DO NOT USE THIS EQUIPMENT EXCEPT ON FIRM LEVEL GROUND WITH CRANE MOUNTED ON FACTORY-RECOMMENDED TRUCK.
3. BEFORE OPERATING THE CRANE, REFER TO MAXIMUM LOAD (CAPACITY) CHART ON CRANE FOR OPERATING (LOAD) LIMITATIONS.
4. DO NOT OPERATE, WALK, OR STAND BENEATH BOOM OR A SUSPENDED LOAD.
5. ATTACH PENDANT CORD SUPPORT SNAP TO ATTACHMENT POINT BEFORE PLUGGING IN PENDANT, IF SO EQUIPPED.
6. UNPLUG PENDANT AND SHUT OFF MASTER DISCONNECT SWITCH WHEN CRANE IS NOT IN USE.
7. FOR TRAVEL, BOOM MUST BE IN STOWED POSITION.

## DANGER

- THIS CRANE IS NOT A PASSENGER LIFT
- IT IS NOT DESIGNED OR INTENDED TO BE USED TO LIFT, SUPPORT, OR OTHERWISE TRANSPORT PERSONNEL.

## YOU MUST NOT OPERATE THIS CRANE, UNLESS:

1. YOU HAVE BEEN TRAINED IN THE SAFE OPERATION OF THIS CRANE, AND
2. YOU KNOW AND FOLLOW THE SAFETY AND OPERATING RECOMMENDATIONS CONTAINED IN THE MANUFACTURER'S MANUALS, YOUR EMPLOYER'S WORK RULES, AND APPLICABLE GOVERNMENT REGULATIONS. AN UNTRAINED OPERATOR SUBJECTS HIMSELF AND OTHERS TO DEATH OR SERIOUS INJURY.

## ELECTROCUTION HAZARD

- THIS MACHINE IS NOT INSULATED.
- MAINTAIN SAFE CLEARANCES FROM ELECTRICAL LINES AND APPARATUSES.
- YOU MUST ALLOW FOR BOOM SWAY, ROCK, OR SAG, AND ELECTRICAL LINE AND LOAD-LINE SWAYING
- THIS LIFTING DEVICE DOES NOT PROVIDE PROTECTION FROM CONTACT WITH OR PROXIMITY TO AN ELECTRICALLY CHARGED CONDUCTOR.
- YOU MUST MAINTAIN A CLEARANCE OF AT LEAST 10 FEET BETWEEN ANY PART OF THE CRANE, LOAD-LINE, OR LOAD, AND ANY ELECTRICAL LINE OR APPARATUS CARRYING UP TO 50,000 VOLTS. REFER TO DRAWING 15394 FOR ADDITIONAL INFORMATION.
- **DEATH OR SERIOUS INJURY** WILL RESULT FROM CONTACT OR INADEQUATE CLEARANCES.

## OVERLOAD SENSING SYSTEM - STANDARD ON ALL CRANES

1. IF OVERLOADED, THE WINCH UP, BOOM DOWN, AND (OPTIONAL) BOOM OUT FUNCTIONS WILL AUTOMATICALLY, SHUT OFF TO PREVENT INCREASED OVERLOAD.
2. ON CRANES EQUIPPED WITH AN OPTIONAL OVERLOAD ALARM, IT WILL ALSO SOUND.
3. IF AN OVERLOAD OCCURS, USE THE WINCH DOWN, BOOM UP OR BOOM IN FUNCTIONS TO RELIEVE THE OVERLOAD.
4. THE OVERLOAD SENSING SYSTEM IS INOPERATIVE IF THE BOOM ELEVATION IS AT THE BOTTOM OR TOP LIMIT OF TRAVEL. TO RELIEVE THIS CONDITION, RAISE OR LOWER THE BOOM SLIGHTLY BEFORE LIFTING THE LOAD.
5. SEE MANUAL FOR TESTING THE OVERLOAD SYSTEM.

### NOTICE - WARRANTY VOID IF DISCONNECTED

THE OVERLOAD SENSING SYSTEM HAS BEEN INSTALLED AS A SAFETY FEATURE TO PROTECT THE EQUIPMENT AND THE OPERATOR.

DO NOT DISCONNECT THIS SYSTEM



VENCO VENTURO INDUSTRIES LLC  
CINCINNATI, OHIO

TITLE	DATE	SECTION
SAFETY & HAZARDS	01-29-15K	C150
ELECTRIC CRANES	SUPERSEDES 12-20-13J	850711

# CRANE SAFETY AND HAZARDS - CONT'D

## OVERLOAD ALARM SYSTEM - OPTIONAL

1. OVERLOAD ALARM HORN SOUNDS IF RATED LOAD IS EXCEEDED AT ANY REACH.
2. IF ALARM SOUNDS, RAISE BOOM OR LOWER WINCH TO REMOVE OVERLOAD.
3. ALWAYS RAISE BOOM SLIGHTLY BEFORE LIFTING LOAD. WARNING SYSTEM INOPERATIVE WHEN CYLINDER IS COMPLETED BOTTOMED.
4. ALARM CAN BE TESTED BY TYING DOWN BOOM WITH WINCH CABLE AND OPERATING BOOM UP OR BY RAISING BOOM AGAINST UP LIMIT STOP.

NOTICE - WARRANTY VOID IF DISCONNECTED

THIS ALARM SYSTEM HAS BEEN INSTALLED AS A SAFETY FEATURE TO PROTECT BOTH THE EQUIPMENT AND THE OPERATOR.

DO NOT DISCONNECT THIS SYSTEM

INTENTIONALLY LEFT BLANK



VENCO VENTURO INDUSTRIES LLC  
CINCINNATI, OHIO

TITLE

SAFETY & HZRDS, CONT.

DATE

01-29-15

SECTION

C150

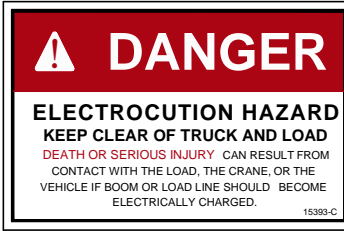
ELECTRIC CRANES

SUPERSEDES

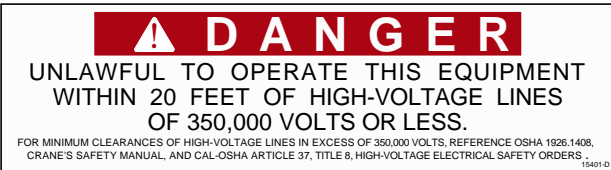
-

850712

# VEHICLE & CRANE MOUNTED ELECTRICAL HAZARD SIGN APPLICATION & INFORMATION



SIGN NO. 15393 DISPLAYS THE INTERNATIONAL SYMBOL FOR ELECTRICITY AND WARNS OF DANGER FROM AN ELECTRICALLY CHARGED VEHICLE, CRANE, OR LOAD. FOUR ARE RECOMMENDED (ONE FOR EACH SIDE AND ONE FOR EACH END OF VEHICLE) TO BE APPLIED IN LOCATIONS WHICH ARE READILY VISIBLE TO GROUND PERSONNEL.



SIGN NO. 15401 PROVIDES ADDITIONAL WARNING OF LEGAL REQUIREMENTS WHEN OPERATING NEAR HIGH VOLTAGE LINES. THIS SIGN IS PLACED ON THE CONTROL PENDANT SIDE OF BOOM.

Table A - Minimum Clearance Distances

Voltage (nominal, kV, alternating current)	Minimum clearance distance (feet) *
Up to 50.....	10
over 50 - 200.....	15
over 200 - 350.....	20
over 350 - 500.....	25
over 500 - 750.....	35
over 750 - 1000.....	45
Over 1000.....	(as established by the utility owner/operator or registered professional engineer who is a qualified person with respect to electrical power transmission and distribution).

Table T - Minimum Clearance Distances While Traveling With No Load

Voltage (nominal, kV, alternating current)	While traveling - minimum clearance distance (feet) *
0 - 0.75.....	4
over 0.75 - 50.....	6
over 50 - 345.....	10
over 345 - 750.....	16
over 750 - 1000.....	20
Over 1000.....	(as established by the utility owner/operator or registered professional engineer who is a qualified person with respect to electrical power transmission and distribution).

\* NOTE: ENVIRONMENTAL CONDITIONS SUCH AS FOG, SMOKE, OR PRECIPITATION MAY REQUIRE INCREASED CLEARANCES



VENCO VENTURO INDUSTRIES LLC  
CINCINNATI, OHIO

TITLE	DATE	SECTION
HAZARD APPS & INFO	02-21-14M	C150
ET/HT CRANES	SUPERSEDES 12-20-13L	15394

PART NO.: 15390

DECAL: CAUTION - INSPECT VEHICLE & CRANE

FUNCTION: To inform the operator of key operating requirements.

QUANTITY: 1

PLACEMENT: Rear cover.



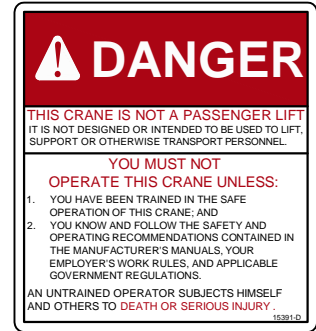
PART NO.: 15391

DECAL: DANGER - NOT PASSENGER LIFT

FUNCTION: To inform the operator not to lift, support or transport personnel, and to ensure that crane operator is adequately trained.

QUANTITY: 1

PLACEMENT: Rear cover.



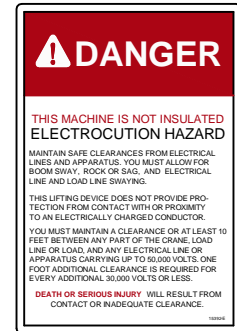
PART NO.: 15392

DECAL: DANGER - ELECTROCUTION HAZARD

FUNCTION: To inform the operator that the machine (crane) represents an electrocution hazard should it come close to or in contact with electrical voltage source.

QUANTITY: 1

PLACEMENT: Rear cover.



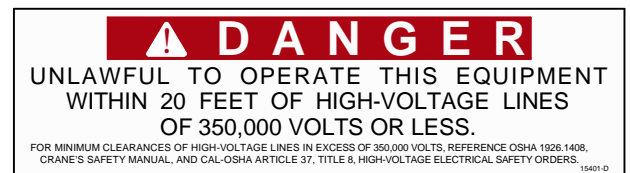
PART NO.: 15401

DECAL: UNLAWFUL TO OPERATE

FUNCTION: To inform the operator of proper operation in vicinity of power lines.

QUANTITY: 1

PLACEMENT: Right side of housing.



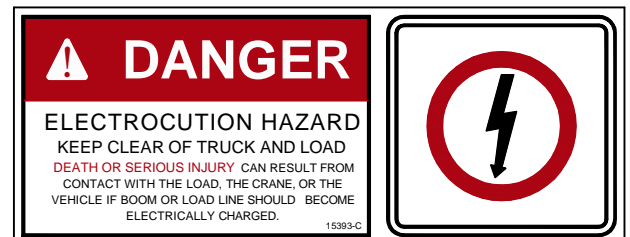
PART NO.: 15393A

DECAL: DANGER - ELECTROCUTION HAZARD

FUNCTION: Warns of danger from electrically charged vehicle, crane or lead.

QUANTITY: 4

PLACEMENT: One on each side and each end of vehicle.



MANUFACTURING, INC.  
CINCINNATI, OHIO

TITLE  
**SAFETY DECALS**

**CRANES**

DATE  
**04-02-13C**

SUPERSEDES  
**08-10-09B**

SECTION  
**C150**

**21353**

PART NO.: 15513

DECAL: MASTER DISCONNECT SWITCH

FUNCTION: To inform the operator of location and operation of master disconnect switch.

QUANTITY: 1

PLACEMENT: On master disconnect switch bracket.



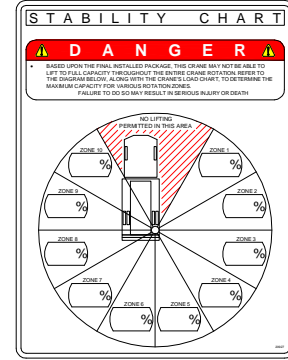
PART NO.: 20927

DECAL: CRANE STABILITY

FUNCTION: To inform the operator of the crane's lifting capacity throughout the entire rotation.

QUANTITY: 1

PLACEMENT: In prominent location, so it is easily seen and readily identifiable.



▲



VENCO VENTURO INDUSTRIES LLC  
CINCINNATI, OHIO

TITLE	DATE	SECTION
SAFETY DECALS	06-06-14C	C150
CRANES	SUPERSEDES 04-02-13B	21384

PART NO.: 14473-2

DECAL: GREASE

FUNCTION: To show the operator where to apply grease.

QUANTITY: Varies

PLACEMENT: Near grease fittings.



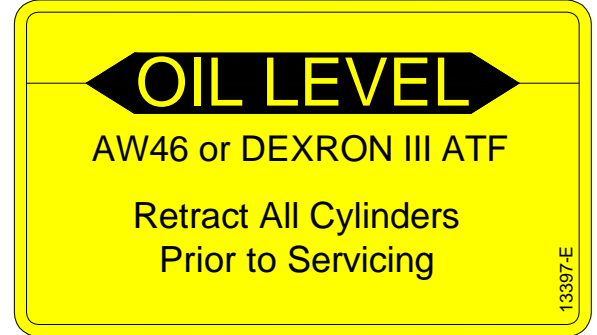
PART NO.: 13397

DECAL: OIL LEVEL

FUNCTION: To inform the operator of proper oil level to maintain.

QUANTITY: 1

PLACEMENT: Side of hydraulic power unit.



PART NO.: 15398

DECAL: UNPLUG REMOTE CONTROL

FUNCTION: To inform the operator to unplug remote control when not in use.

QUANTITY: 1

PLACEMENT: Near pendant socket.



MANUFACTURING, INC.  
CINCINNATI, OHIO

TITLE	DECALS
	ET CRANES

DATE	12-23-13D
SUPERSEDES	04-19-13C

SECTION	C150
	21354



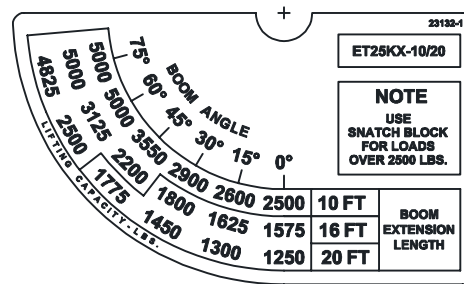
**PART NO.:** 23132-1 & 23132-2 (OPPOSITE)

**DECAL:** CRANE CAPACITY

**FUNCTION:** To show the operator the operating capacities of crane.

**QUANTITY:** 1 each

**PLACEMENT:** One on each side of boom.



**PART NO.:** 19743

**DECAL:** MODEL NUMBER (ET25KX)

**FUNCTION:** To show the model of the crane.

**QUANTITY:** 2

**PLACEMENT:** One on each side of boom.



MANUFACTURING INC.  
CINCINNATI, OHIO

TITLE  
**MODEL & CAPACITY DECALS**

DATE  
**10-9-09**

SECTION  
**C150**

**ET25KX**

SUPERSEDES  
-

**21895**

# SECTION 200

## INSTALLATION



# !! IMPORTANT !!

## ADEQUATE WIRING IMPERATIVE FOR PROPER OPERATION

1. PROPER GROUND PATH - SEE DWG 15660
2. CURRENT DRAW IS SEVERAL HUNDRED AMPERES - ADEQUATE WIRE SIZE AND BATTERY CAPACITY IS ABSOLUTELY ESSENTIAL (SEE CHART BELOW).

### MINIMUM WIRE GAUGE AND BATTERY SIZE

MODEL	TOTAL LENGTH OF CABLE (FT) *								12 VOLT BATTERY REQUIREMENTS	
	0-20	21-25	26-30	31-40	41-50	51-60	61-70	71-80	CCA (A) **	RC (MIN) ***
CE6K CT2000 CT2003/4/5 DT7K	#4	#4	#2	#2	#1	#0	#0	#00	350	100
ET5500MPB ET5500R ET6KMPB ET6KR ET6K ET8K ET10K ET12K	#2	#2	#1	#0	#00	NOT RECOMMENDED			450	100
▲ ET8KX ET10KX ET12KX	#2	#2	#1	#0	#00	NOT RECOMMENDED			550	150
ET18K(X) ET25K(X) ET30KX ET36KX	SEE DRAWING 19947 FOR CABLE AND BATTERY REQUIREMENTS									

\* INCLUDES GROUND CABLE

\*\* CCA = COLD CRANKING AMPS AT 0° (F).

\*\*\* RC = RESERVE CAPACITY IN MINUTES AT 25 AMPS AND 80° (F).  
THE RC RATING IS A MEASURE OF THE PERIOD OF TIME THE BATTERY CAN SUPPLY A GIVEN CURRENT WITHOUT RECHARGING.



VENCO VENTURO INDUSTRIES LLC  
CINCINNATI, OHIO

TITLE <b>CABLE &amp; BATTERY</b>	DATE 01-27-15U	SECTION C200
ELECTRIC CRANES	SUPERSEDES 12-23-13T	<b>711105</b>

**RECOMMENDED CIRCUIT BREAKER TABLE**

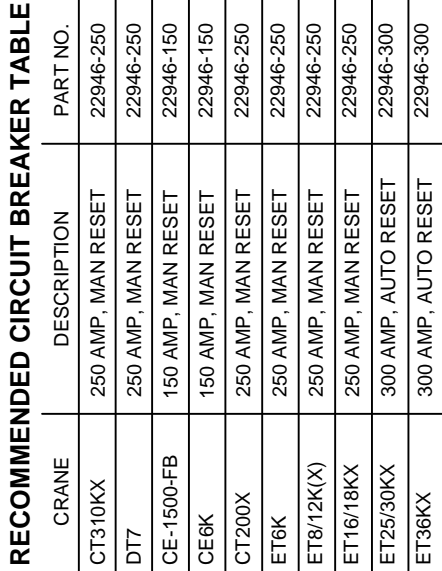
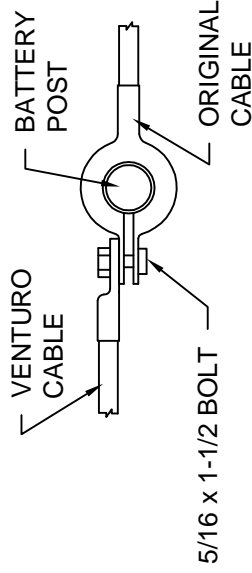
CRANE	DESCRIPTION	PART NO.
CT310KX	250 AMP, MAN RESET	22946-250
DT7	250 AMP, MAN RESET	22946-250
CE-1500-FB	150 AMP, MAN RESET	22946-150
CE6K	150 AMP, MAN RESET	22946-150
CT200X	250 AMP, MAN RESET	22946-250
ET6K	250 AMP, MAN RESET	22946-250
ET8/12K(X)	250 AMP, MAN RESET	22946-250
ET16/18KX	250 AMP, MAN RESET	22946-250
ET25/30KX	300 AMP, AUTO RESET	22946-300
ET36KX	300 AMP, AUTO RESET	22946-300

**BATTERY REQUIREMENTS**

- 12 VOLT VEHICLE BATTERY REQUIREMENTS
- 625 COLD CRANKING AMPS (AT 0° F)
- 160 MINUTES RESERVE CAPACITY
- 102 PLATES, 105 AMP-HR
- 12 VOLT AUXILIARY BATTERY REQUIREMENTS
- 450 COLD CRANKING AMPS (AT 0° F)
- 100 MINUTES RESERVE CAPACITY
- 78 PLATES, 70 AMP-HR

**NOTE: OPERATING WITH THE VEHICLE BATTERY 'ONLY' IS PERMISSIBLE, BUT NOT RECOMMENDED.**

**RECOMMENDED BATTERY TERMINAL ATTACHMENT**



RECOMMENDED OPTION:  
CIRCUIT BREAKER OR FUSE;  
LOCATE CLOSE TO TRUCK  
BATTERY (SEE CHART AMP RATING)

#2 GAUGE X 26'  
BATTERY CABLE (INCLUDED)

MASTER DISCONNECT SWITCH (INCLUDED)  
(LOCATE FOR OPTIMUM OPERATOR ACCESS  
AS CLOSE TO THE CRANE AS PRACTICAL)

NOTE: ALSO SEE DRAWING 711105  
FOR ADDITIONAL INFORMATION  
ON BATTERY WIRE GAUGE & LENGTH

TITLE  
**BATTERY CABLE & COMPONENT INSTALL**

DATE  
07-31-15K

SECTION

C200

VENCO VENTURO INDUSTRIES LLC  
CINCINNATI, OHIO

ET CRANES

SUPPERSEDES

10-17-14J

15660



# STABILITY TESTING – ET/HT25KX

## Overview

Venturo follows the guidelines of ANSI B30.5 in defining stability. Generally speaking, a truck is considered stable as long as it is not on the verge of tipping – i.e. with the truck level, at least one tire on each corner of the truck must remain in contact with the ground.

It is important to note that nearly every installation is unique and will, therefore, typically require stability testing.

The procedure outlined below follows ANSI's (B30.5 – 5–1.1.1) specified "maximum load rating" of 85%.

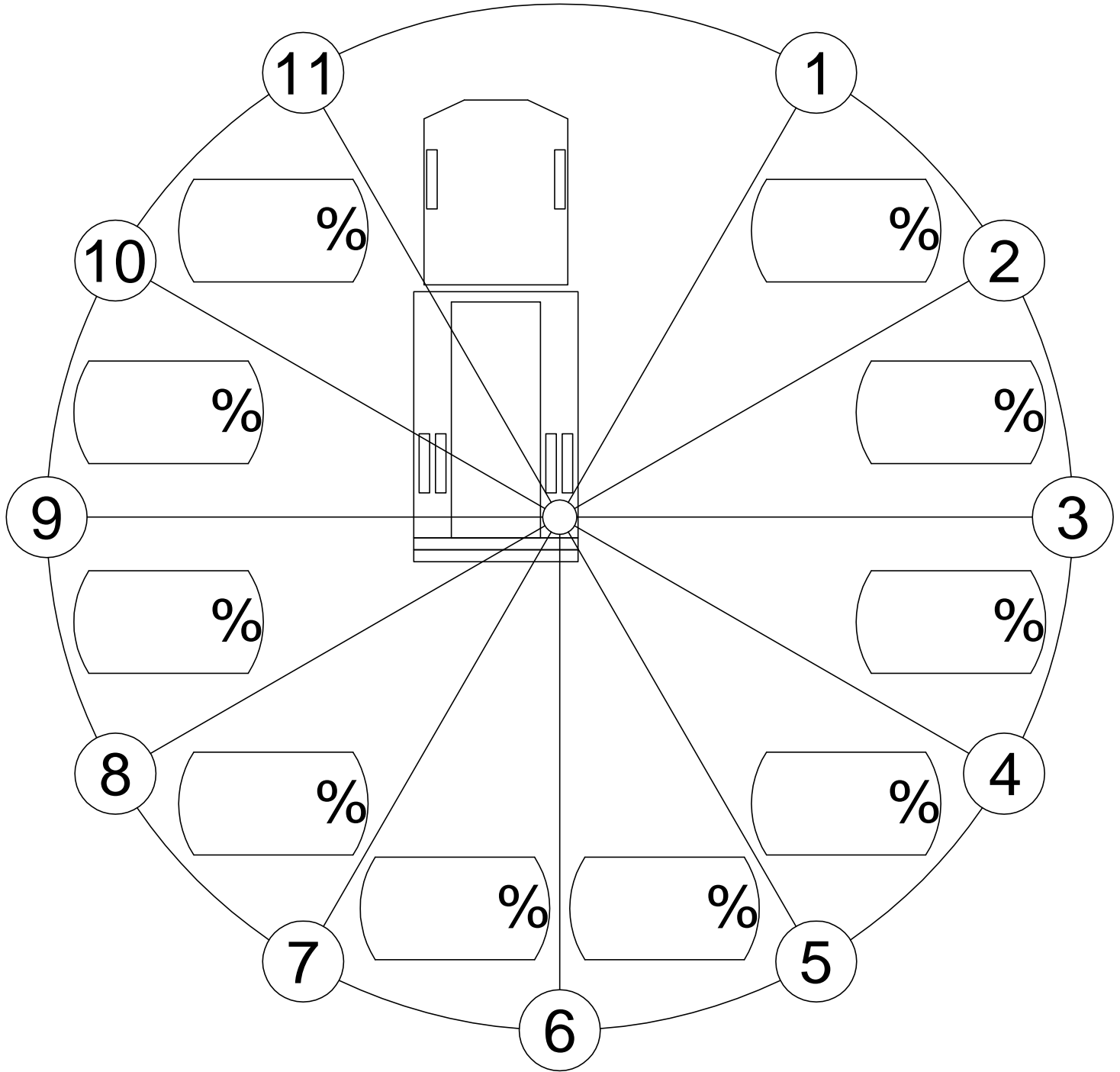
## Testing Procedure

1. Locate the truck on level ground and set the parking brake.
2. Deploy outriggers, making sure they are firmly in contact with supportive ground; use outrigger pads as required. The tires of the truck should remain in full contact with the ground.
3. Inspect the wire rope and other key components of crane (consult owners manual for more information).
4. Conduct an operational check of all crane functions.
5. Use a test weight of 1450 lbs in conjunction with the ET25KX's snatch block (weight = 32 lb).
6. Do NOT allow the weight to be more than 6 inches from the ground at any time during testing – this insures that if the truck does become unstable and tip, it will not tip far.
7. Rotate the crane to a position between 1 and 2 o'clock (the truck cab is facing 12 o'clock).
8. Be sure that the boom is horizontal (0° elevation) with the hydraulic section fully retracted and the manual section fully extended; the boom should begin at a length of 16 feet. Note: If extension is full-hydraulic, testing should begin at 10 feet.
9. Use the winch to lift the test weight, keeping it within 6 inches of the ground.
10. Extend the boom slowly until the boom reaches full extension (240 inches) or until the truck becomes unstable. As you extend, use the winch to keep the weight within 6 inches of the ground.
  - a. If the boom reaches full extension, the % of Rated Capacity is 100% for the tested region.
  - b. If, however, the truck becomes unstable (both tires leave the ground) prior to full extension, record (in inches) the horizontal distance from the center of rotation to the wire rope at this point (e.g. 220 inches). This is the Maximum Stable Reach. Determine the % of Rated Capacity using the following formula:

$$\% \text{ Rated Capacity} = \frac{\text{"Max. Stable Reach" in inches}}{\mathbf{240}} \times 100$$

11. Record the % of Rated Capacity in the appropriate blank on the Crane Stability chart and/or decal.
12. Repeat Steps 7–11 for each of the remaining regions (2–3 o'clock, 3–4 o'clock, etc.).

# CRANE STABILITY



% of Rated Capacity for each of the 10 regions are provided above.

**CONDITIONS:**

- STABILIZERS FULLY EXTENDED & DOWN, ON FIRM LEVEL GROUND.



VENCO VENTURO INDUSTRIES LLC  
CINCINNATI, OHIO

TITLE	STABILITY CHART
	VENTURO CRANES

DATE	02-21-14E
SUPERSEDES	12-26-13D

SECTION	C200
	20907

# WIRE ROPE INSTALLATION

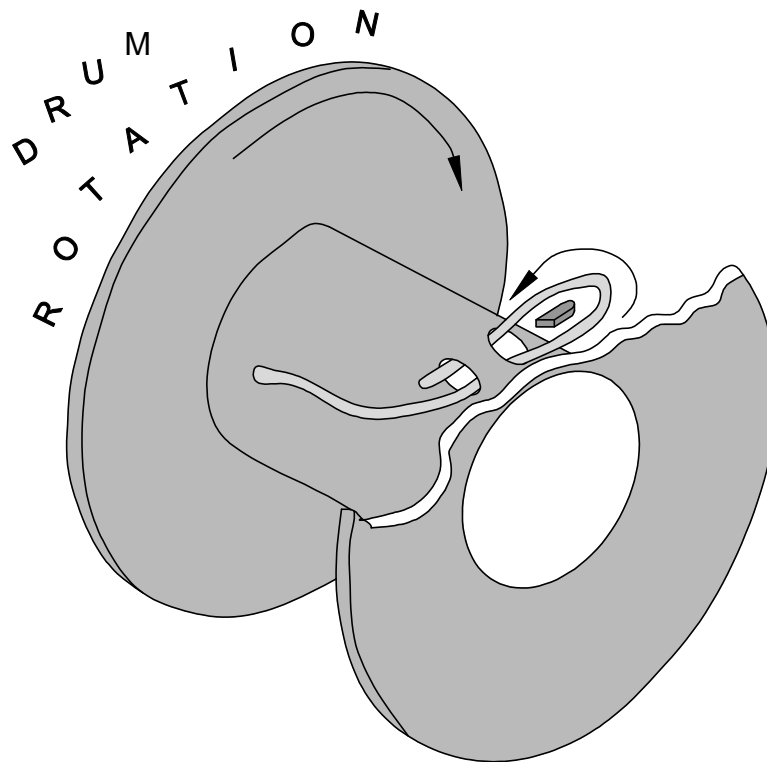


FIG. 1

- STEP 1: UNWIND COIL OF WIRE ROPE BY 'ROLLING' ALONG THE FLOOR. THIS WILL PREVENT 'KINKING'.
- STEP 2: INSERT WIRE ROPE END UP THROUGH ANTI-2-BLOCK (A2B) CAGE ASSEMBLY, BETWEEN CHEEK PLATES, OVER THE TOP SHEAVE, AND THROUGH WIRE ROPE GUIDE.
- STEP 3: INSERT WIRE ROPE END INTO POCKET OPENING ON WINCH, WRAP AROUND WEDGE, AND BACK THROUGH POCKET OPENING AS SHOWN IN FIGURE 1.



## CAUTION

- IF THE WIRE ROPE IS NOT INSTALLED FOR THE CORRECT DRUM ROTATION, THE WINCH BRAKE VALVE WILL NOT HOLD THE LOAD.



## CAUTION

- THERE MUST ALWAYS BE AT LEAST [5] DEAD WRAPS OF WIRE ROPE ON THE WINCH DRUM WHILE UNDER LOAD.

NOTE: SOME WINCHES MAY BE SUPPLIED WITH A HEX NUT IN LIEU OF A WEDGE FOR INSTALLING THE WIRE ROPE.



VENCO VENTURO INDUSTRIES LLC  
CINCINNATI, OHIO

TITLE

WIRE ROPE INSTALLTN

DATE

02-21-14K

SECTION

C200

ET6K & LARGER CRANES

SUPERSEDES

12-26-13J

22245

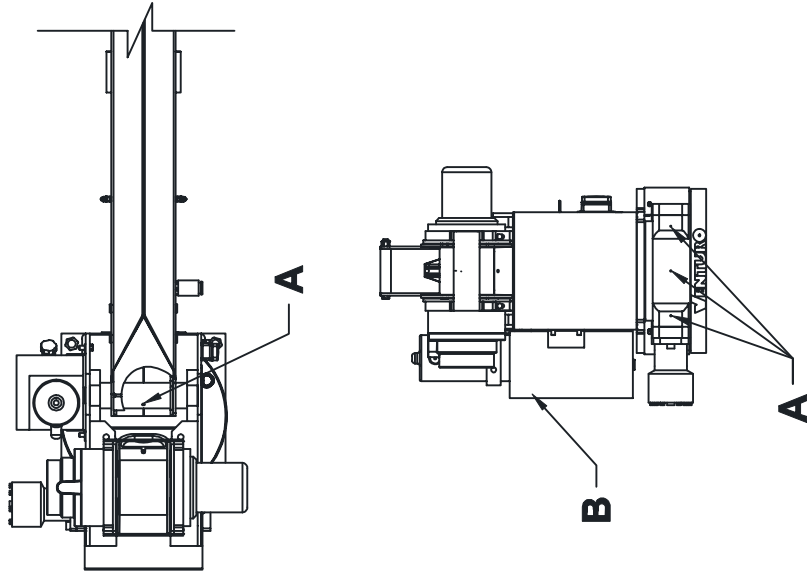
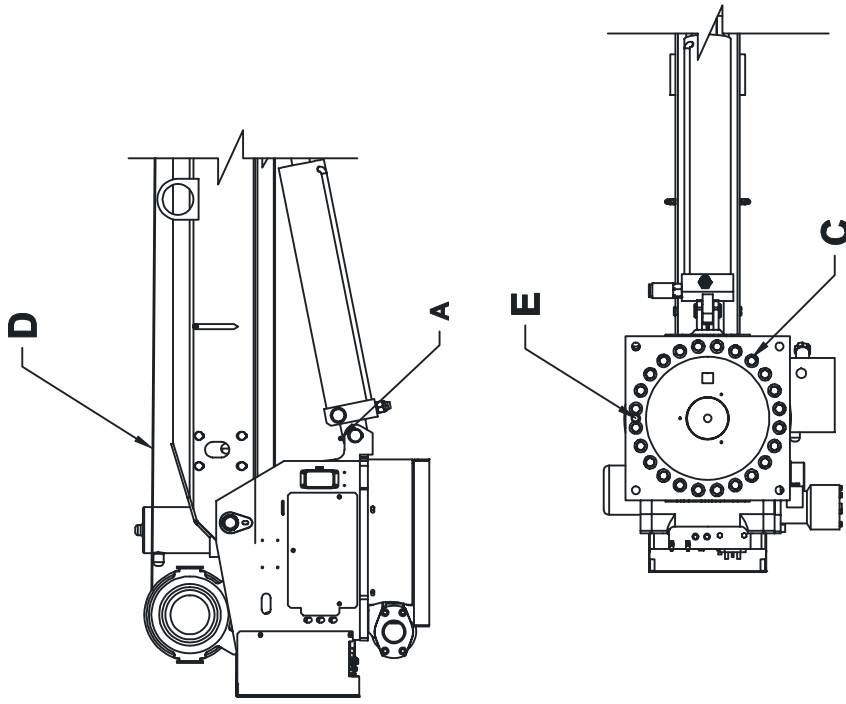
# **SECTION 300**

**MAINTENANCE**

**&**

**SERVICE**





Location	Service Required	Note	Service Interval
A	Grease fitting With Pressure Grease Gun	Use Lithium Based Grease	Time of Truck Service
B	Fill Oil Reservoir to Oil Level with Boom Down	Use Dextron III ATF or ISO Grade AW 46 for Ambient Temperatures Between -22° F and 30° F Use ISO Grade 68 or Equivalent for Ambient Temperatures Between 10° F and 125° F	Time of Truck Service and as required by changes in the ambient temperature range
C	Check Torque of bolts	Bolts should be torqued to 60 ft-lbs	Time of Truck Service
D	Check Wire Rope and Hook	Rope should be free of kinks and fraying	Time of Truck Service
E	Grease Fitting With Pressure Grease Gun	Use Lithium Based Grease	Every 6 months

TITLE

**LUBRICATION & MAINTENANCE CHART**

DATE

**8-11-09**

SECTION

-

SUPERSEDES  
-

**21878**

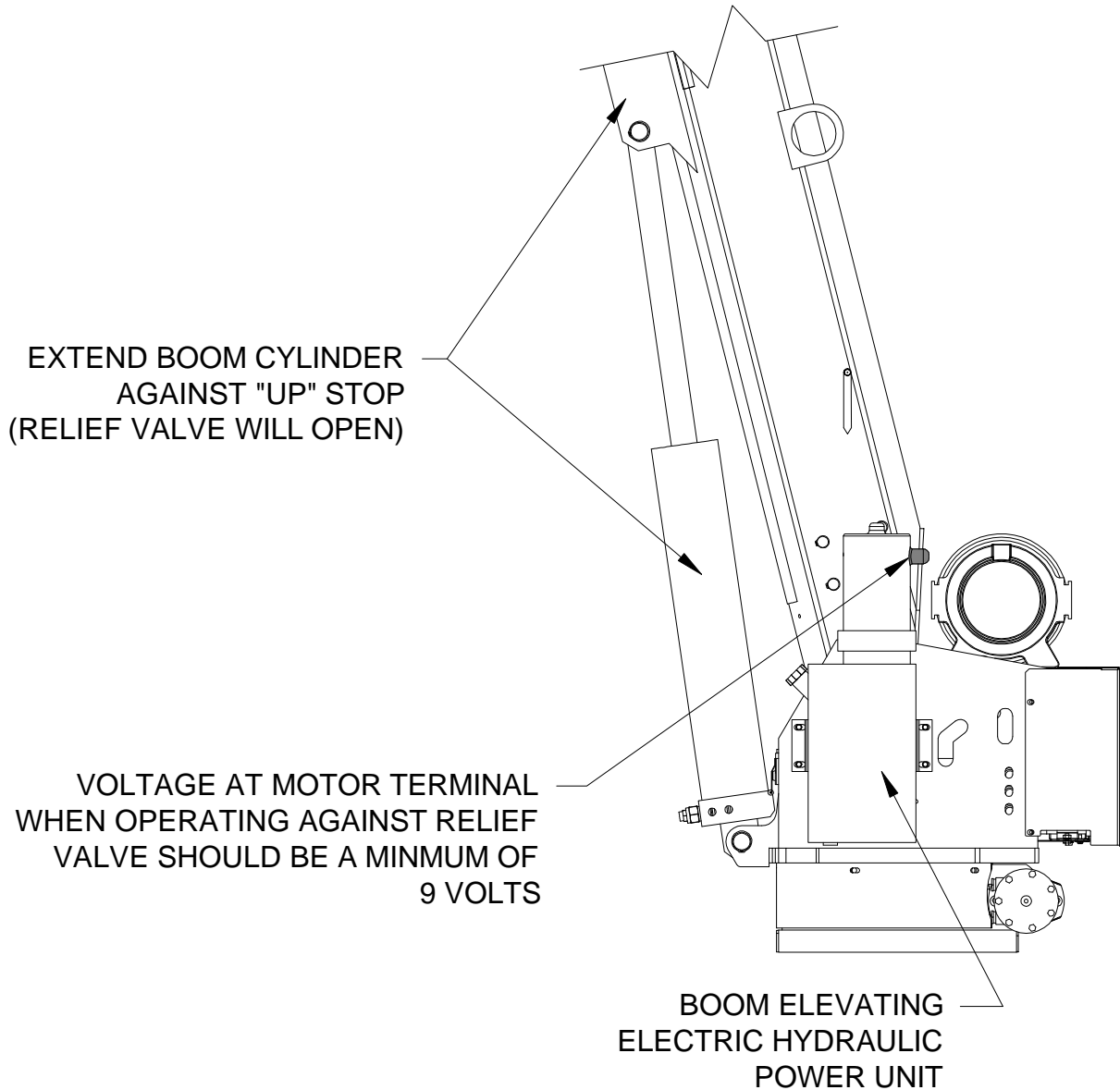
**VENTURO** MANUFACTURING, INC.  
CINCINNATI, OHIO

**ET25/30/36KX(X)**



# MINIMUM VOLTAGE TEST

ONE OF THE MOST COMMON ELECTRICAL PROBLEMS ENCOUNTERED ON 12 VOLT ELECTRICAL CRANES IS INSUFFICIENT VOLTAGE AT THE MOTOR WHEN DRAWING THE LARGE CURRENT THAT EXISTS AT FULL LOAD



MANUFACTURING, INC.  
CINCINNATI, OHIO

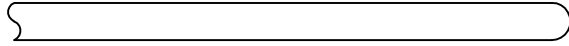
TITLE  
**MINIMUM VOLTAGE TEST**  
ET SERIES CRANES

DATE  
12-26-13G  
SUPERSEDES  
10-05-09F

SECTION  
C300  
**19963**

# WIREROPE ASSEMBLY

WIREROPE  
 TYPE: 5/16" DIA. 7 x 19  
 GALVANIZED

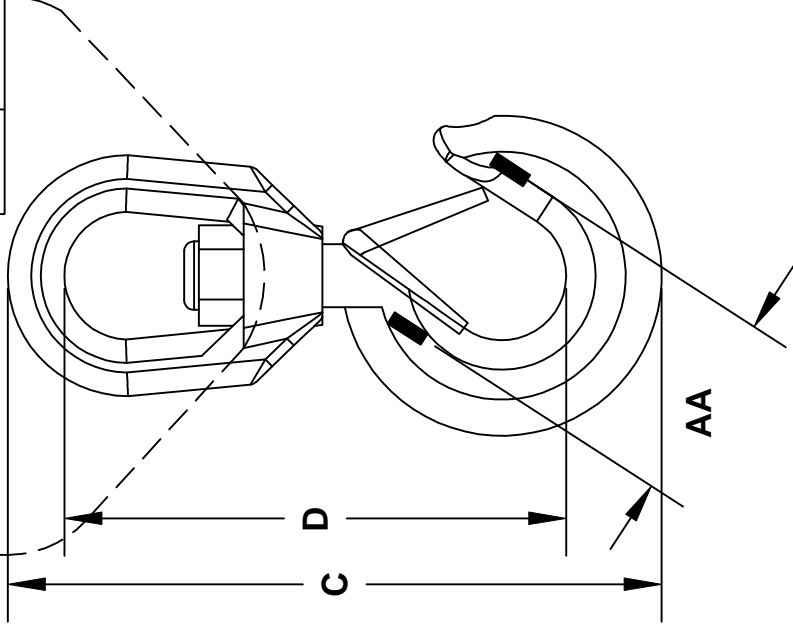


TERMINATES IN THIMBLE  
 (NO HOOK)

# LOADBLOCK ASSEMBLY

HOOK  
 RATING: 3 tonnes (6,615 lbs)  
 DIMENSIONS:

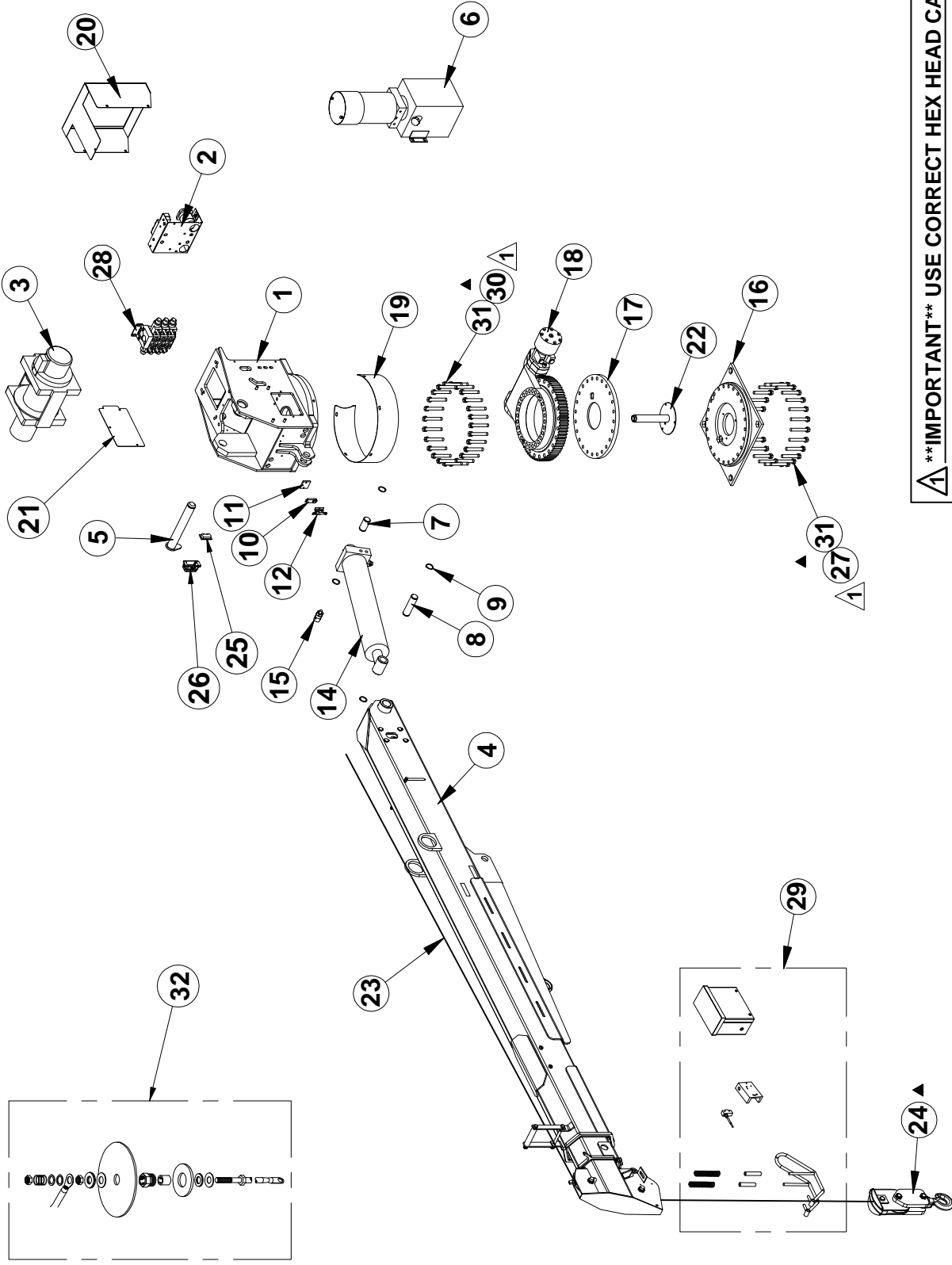
COLOR	BRAND	AA	C	D
GOLD	CROSBY	2.00	8.25	6.50



# SECTION 400

## PARTS





**⚠️ \*\*IMPORTANT\*\* USE CORRECT HEX HEAD CAP SCREW**  
 - ITEM # 30, P/N IHHCSM12175090-8.8 (90MM LONG) FOR TOP OF SLEWING RING  
 - ITEM # 27, P/N IHHCSM12175080-8.8 (80MM LONG) FOR 'BOTTOM' OF SLEWING RING

**REPLACEMENT PARTS LIST - REF 21897**



MANUFACTURING, INC.  
 CINCINNATI, OHIO

TITLE		SECTION
REPLACEMENT PARTS DWG		C400
DATE	DATE	SUPERSEDES
01-29-13D	01-29-13D	08-08-12C
ET25KX		21896

▲ 32	1	16780-1	SWIVEL TERMINAL ASS'Y.
▲ 31	50	!LWSH-050	LOCK WASHER; 1/2"
▲ 30	26	!HHCSM12175090-8.8	HHCS; 12MM-1.75MM X 90MM LG, GR. 8.8
▲ 29	1	27738	ANTI-2-BLOCK; MECHANICAL ASS'Y.
▲ 28	1	21614	VALVE BLOCK; 4-3
▲ 27	24	!HHCSM12175080-8.8	HHCS; 12MM-1.75MM X 80MM LG, GR. 8.8
▲ 26	1	19425	SOCKET CASE
▲ 25	1	19428	INSERT; 10 PIN FEMALE
▲ 24	1	27667	LOAD BLOCK; 6000 LBS.
▲ 23	1	27668-5/16-80	WIRE ROPE; 5/16" X 80 FT.
▲ 22	1	27568	CANDLESTICK ASS'Y.; SWIVEL PIGTAIL
▲ 21	1	27000	SIDE COVER; HOUSING
▲ 20	1	27600	REAR COVER; HOUSING
▲ 19	1	27186	COVER; SLEWING RING
▲ 18	1	21418	SLEWING RING
▲ 17	1	27520H	SPACER
▲ 16	1	27520M-2-R	WELDED ASS'Y.; BASE
▲ 15	1	17460-2400-21	OVERLOAD PRESSURE SWITCH
▲ 14	1	21752	ELEVATION CYLINDER
▲ * 13	1	19269	CABLE CLAMP; 1/4"
12	1	19917	SWITCH BRACKET; BOOM SHUT-OFF
11	1	20896	MOUNTING BLOCK; BOOM SWITCH
10	1	19918	SWITCH; BOOM SHUT-OFF
9	4	!SRNG-125	RETAINING RING; 1/4" SHAFT DIA.
8	1	18761	PIVOT PIN; ELEVATION CYLINDER
7	1	18762	PIVOT PIN; ELEVATION CYLINDER
6	1	27009	ASS'Y.; HYDRAULIC POWER UNIT
5	1	21012	PIVOT PIN; MAIN BOOM PIVOT
▲ 4	1	27197	BOOM FINAL ASS'Y.
3	1	19813	ELECTRIC WINCH
2	1	23154-2	ELECTRICAL COMPONENT ASS'Y.
1	1	27184	WELDED ASS'Y.; HOUSING
ITEM NO.	QTY.	PART NO.	DESCRIPTION

(\*) NOT ILLUSTRATED

## REPLACEMENT PARTS DRAWING - REFERENCE 21896



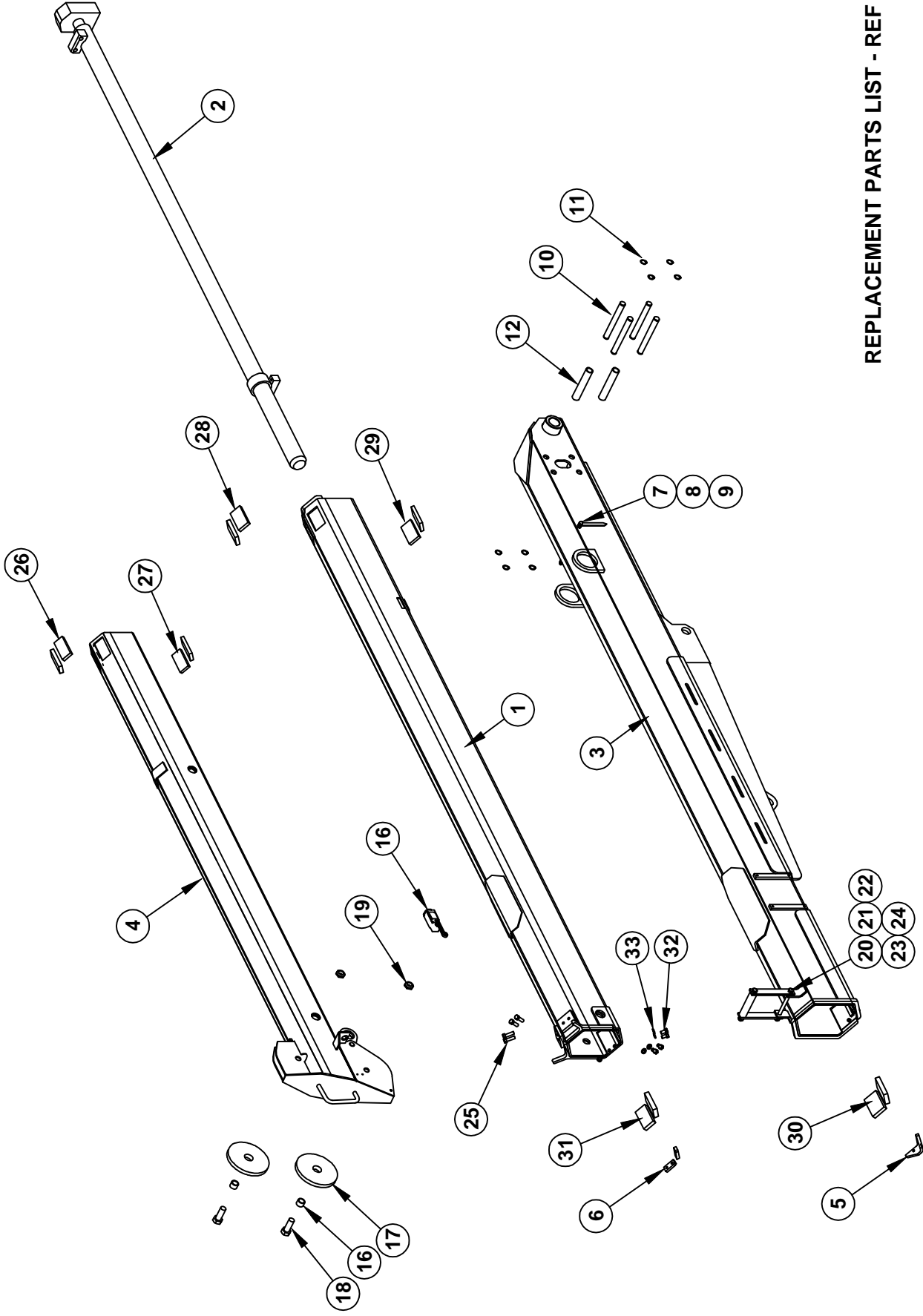
MANUFACTURING, INC.  
CINCINNATI, OHIO

TITLE  
**RPLCMNT PARTS LIST**  
ET25KX

DATE  
01-29-13G  
SUPERSEDES  
08-08-12F

SECTION  
**C400**  
**21897**

# 27198 BOOM REPLACEMENT PARTS

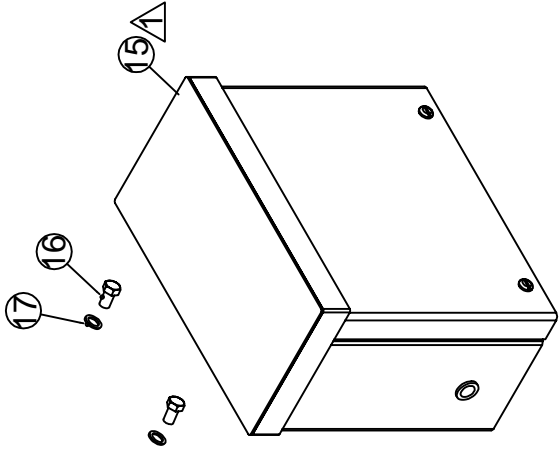
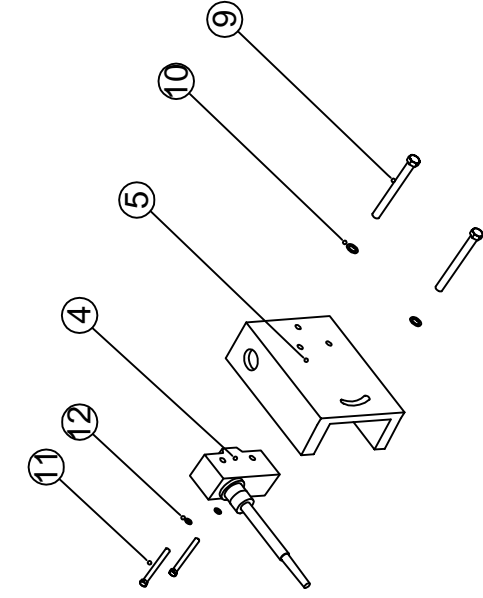
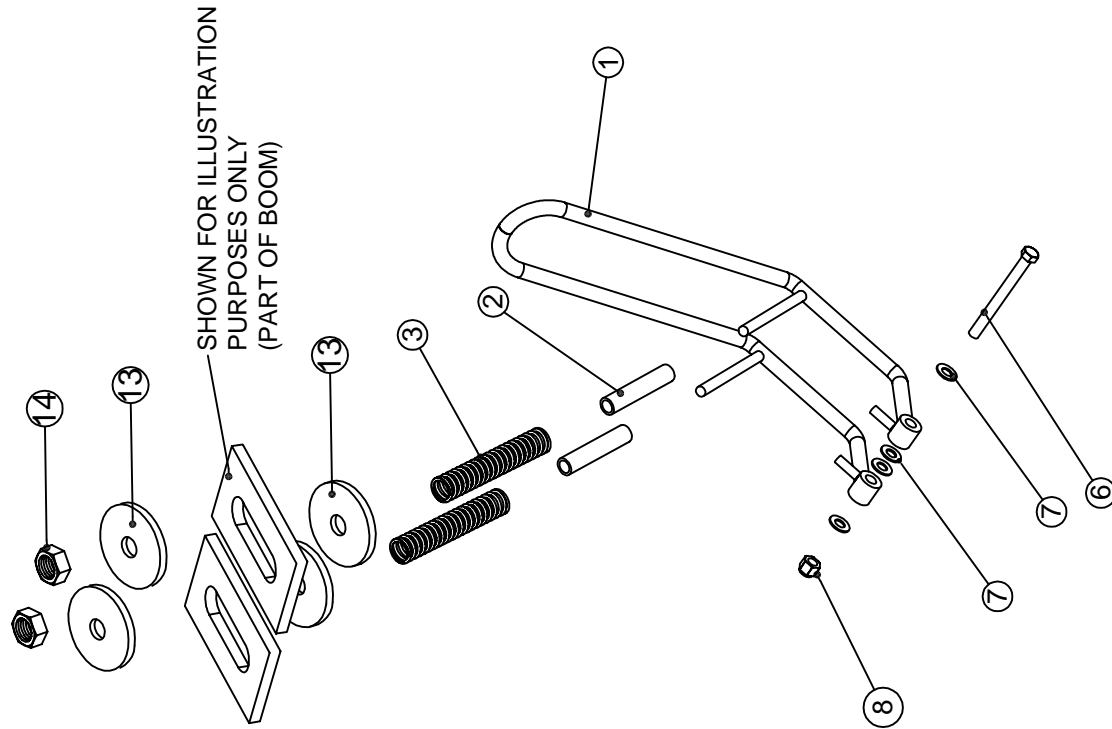


REPLACEMENT PARTS LIST - REF 21199

33	6	!LW SH-038	LOCK WASHER 3/8"
32	6	!HHCS03816063	HEX HEAD CAP SCREW 3/8-16 X 5/8 LG
31	2	23217-10	UHMW PAD
30	2	23217-3	UHMW PAD
29	2	23217-9	UHMW PAD
28	2	23217-8	UHMW PAD
27	2	23217-7	UHMW PAD
26	2	23217-6	UHMW PAD
25	4	!CACSO3816075	C-SINK CAP SCREW 3/8-16 X 3/4 LG
24	2	!LNUT-04414	NYLON INSERT LOCK NUT - 7/16-14
23	1	21560	ROLLER,UHMW GUIDE
22	1	21936	FLAT,MOUNT;WIRE ROPE GUIDE
21	1	!HHCS04414550	HHCS - 7/16-14 X 5-1/2 LG
20	1	21935	WIRE-ROPE GUIDE WELDED
19	2	!LNUT-07510	LOCKNUT 3/4-10
18	2	17059-6	SHEAVE AXLE 3/4 X 2 W / 1" SHANK
17	2	27001	SHEAVE - BOOM
16	2	23924	SPACER - SHEAVE
15	-	-	-
14	-	-	-
13	-	-	-
12	2	21498	EXTENSION CYLINDER ROLLER
11	8	!SRNG-075	RETAINING RING - 3/4" SHAFT DIA.
10	4	21497	THRUST PIN - EXTENSION CYLINDER
9	2	!ANUT-02520S	ACORN NUT 1/4-20 STAINLESS
8	2	13459-2	BOOM ARROW 4-7/16 LONG
7	2	22490	SPACER, BOOM ARROW 1/2" O.D.
6	2	23119	BEARING RETAINING BLOCK
5	1	23183	V-BLOCK SLIDER
4	1	27110	TERTIARY BOOM WELDED ASSEMBLY
3	1	21472	PRIMARY BOOM WELDED ASSEMBLY
2	1	20061	EXTENSION CYLINDER - HOLLOW ROD
1	1	27108	SECONDARY BOOM WELDED ASSEMBLY
ITEM NO.	EXPLODE/QTY.	PART NUMBER	DESCRIPTION

REPLACEMENT PARTS  
DRAWING - REF 21198





▲ FOR RT-HAND MNGT. USE CORD REEL P/N 27034-1

ITEM NO.	QTY.	PART NUMBER	DESCRIPTION
17	2	!LWSH-031	LOCK WASHER 5/16 SPLIT
16	2	!HHCS03118050-5	HEX HEAD CAP SCREW 5/16-18 X 1/2"
15	1	22683	CORD REEL W/MOUNTING BRACKET
14	2	!LNUT-04414	LOCKNUT W/NYLON INSERT - 7/16-14
13	4	!FWSH-050	FLAT WASHER -1/2 USS
12	2	!LWSH-#06-STAR	EXTERNAL STAR LOCK - #6
11	2	!PHCS#0632100	PAN CAP SCREW - #6-32 X 1
10	2	!LWSH-#10	LOCK WASHER - #10
9	2	!PHCS#1024125	PAN HD CAP SCREW - #10-24 X 1-1/2"
8	1	!LNUTM12X175	NYLOK NUT12MM-1.75
7	4	!FWSH-044SAE	FLAT WASHER - 7/16 SAE
6	1	!HHCSM12M120	HEX HEAD CAP SCREW 12MM X 120MM LONG
5	1	21237	SWITCH HOUSING (BLACK CAST NYLON)
4	1	19376	ANTI-TWO BLOCK SWITCH
3	2	27586	SPRING
2	2	27579b	SPRING LOCATING TUBE
1	1	21870	ANTI TWO BLOCK CAGE ASSEMBLY
			DESCRIPTION

VENCO VENTURO INDUSTRIES LLC  
CINCINNATI, OHIO



TITLE RPLCMNT PARTS - LH CORD REEL (STNDRD)

DATE 02-03-15A  
SUPERSEDES 04-28-11

SECTION C400

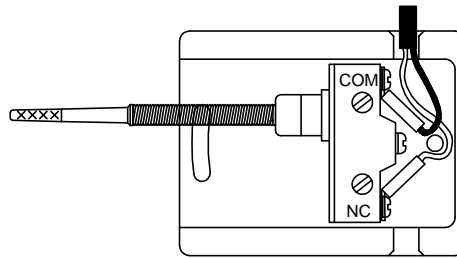
ET/HT25/30 & ET36 ANTI-2-BLOCK SYSTEM

23026

STEP 1

ANTI-TWO BLOCK (A2B) SWITCH WIRING

Connect the Black wire to the 'COM' (Common) terminal and the White wire to the 'NC' (Normally Closed) terminal. The center terminal is not used.



CUT-AWAY VIEW

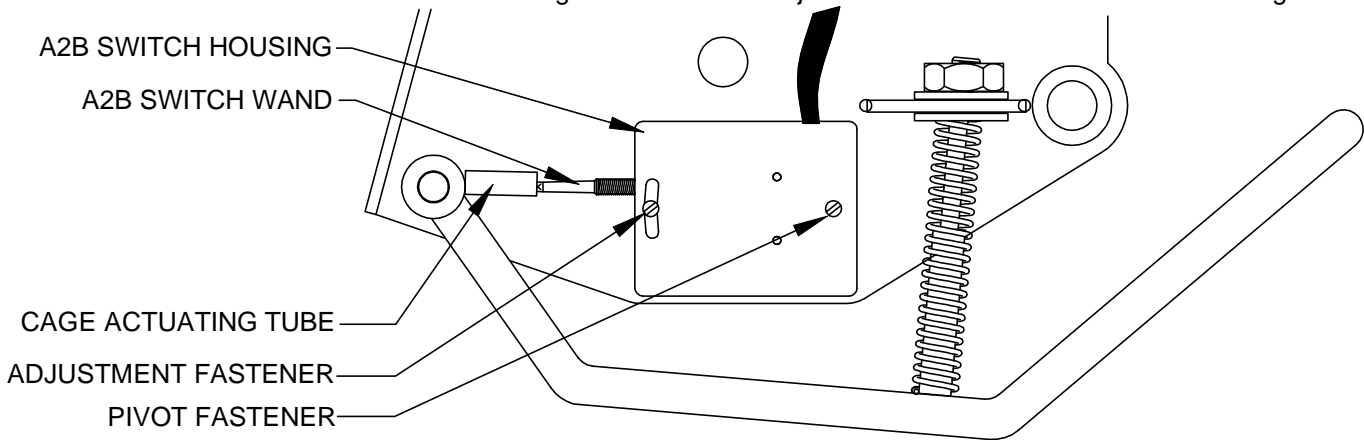
STEP 2

ANTI-TWO BLOCK (A2B) SWITCH ADJUSTMENT

The A2B switch is adjusted by loosening the Pivot & Adjustment Fasteners of the A2B switch housing.

Once loosened the A2B switch and housing move freely pivoting on the 'Pivot Fastener' allowing the 'Switch Wand' to be adjusted to the 'Cage Actuating Tube'.

With the A2B Switch Wand inserted into the Cage Actuating Tube rotate the A2B switch housing Counter-Clockwise until you hear the 'click' of the A2B switch then rotate Clockwise 'just until' the A2B switch 'UN-CLICKS' and then tighten the Pivot & Adjustment Fasteners of the Switch Housing.

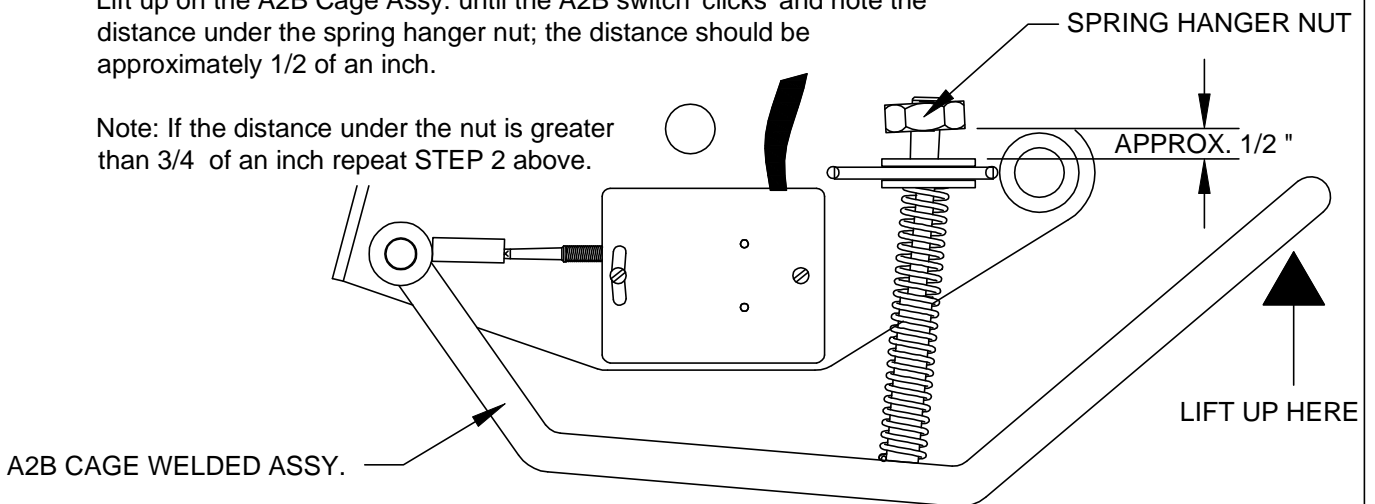


STEP 3

TESTING ADJUSTMENT

Lift up on the A2B Cage Assy. until the A2B switch 'clicks' and note the distance under the spring hanger nut; the distance should be approximately 1/2 of an inch.

Note: If the distance under the nut is greater than 3/4 of an inch repeat STEP 2 above.



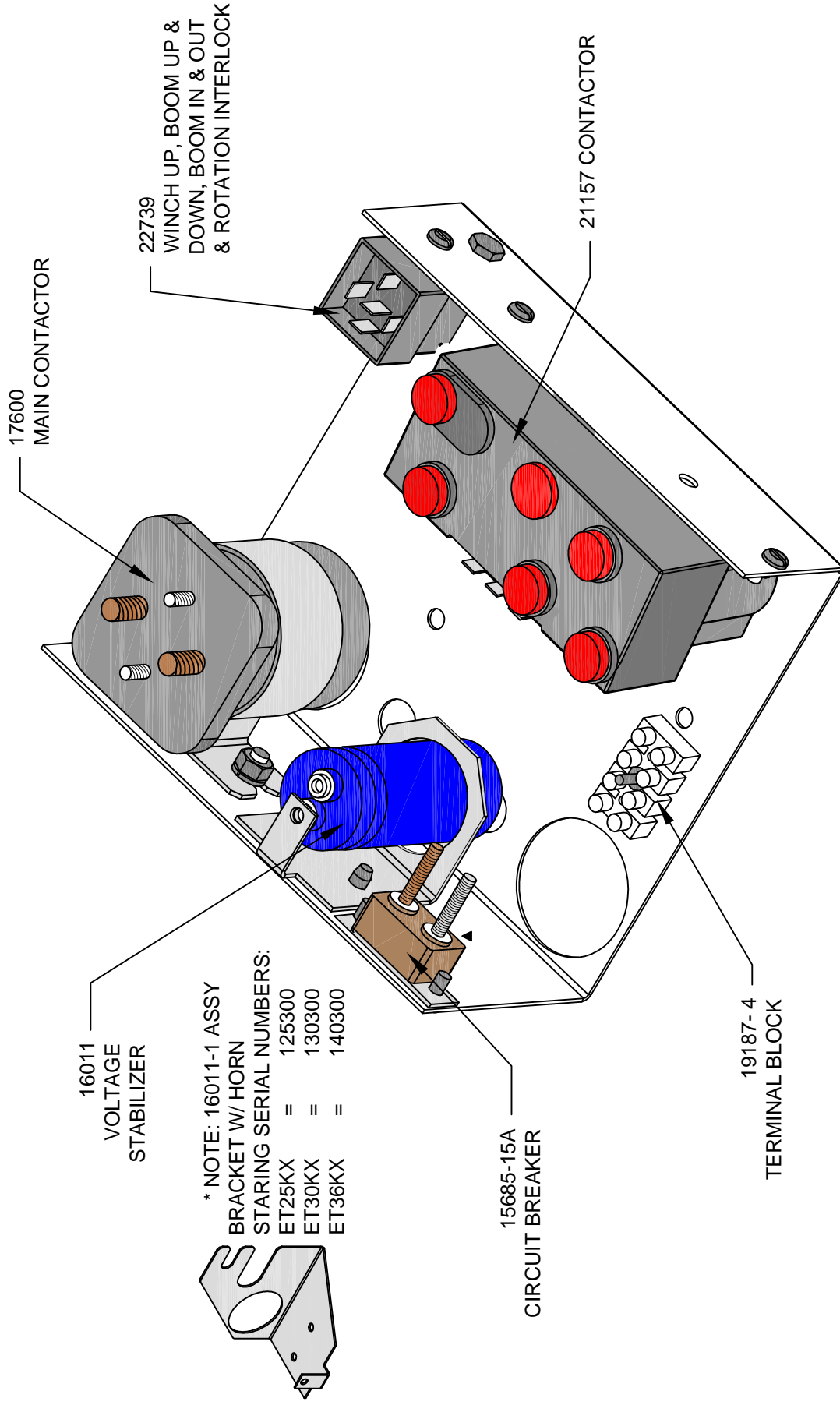
VENCO VENTURO INDUSTRIES LLC  
CINCINNATI, OHIO

TITLE  
**WIRING & ADJUSTMENT**  
A2B SYSTEM

DATE  
02-21-14A  
SUPERSEDES  
04-12-11

SECTION  
C400  
**27029**

# 23154-2 ELECTRICAL COMPONENT ASSEMBLY



VENCO VENTURO INDUSTRIES LLC  
CINCINNATI, OHIO

TITLE  
23154-2 ELECTRICAL COMPONENT ASSY

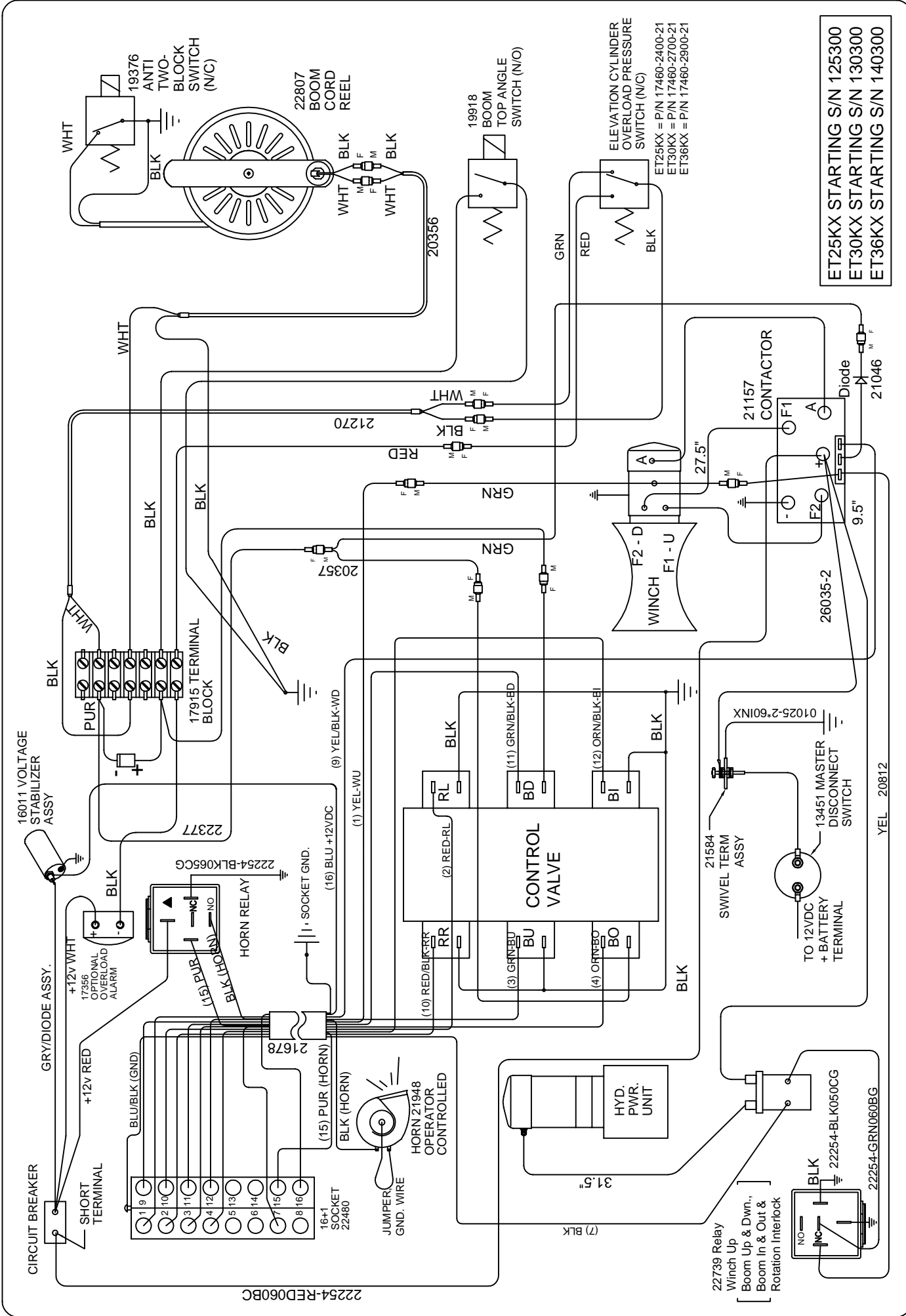
ET25/30/36KX

DATE  
10-27-14B


SUPERSEDES  
12-18-12A

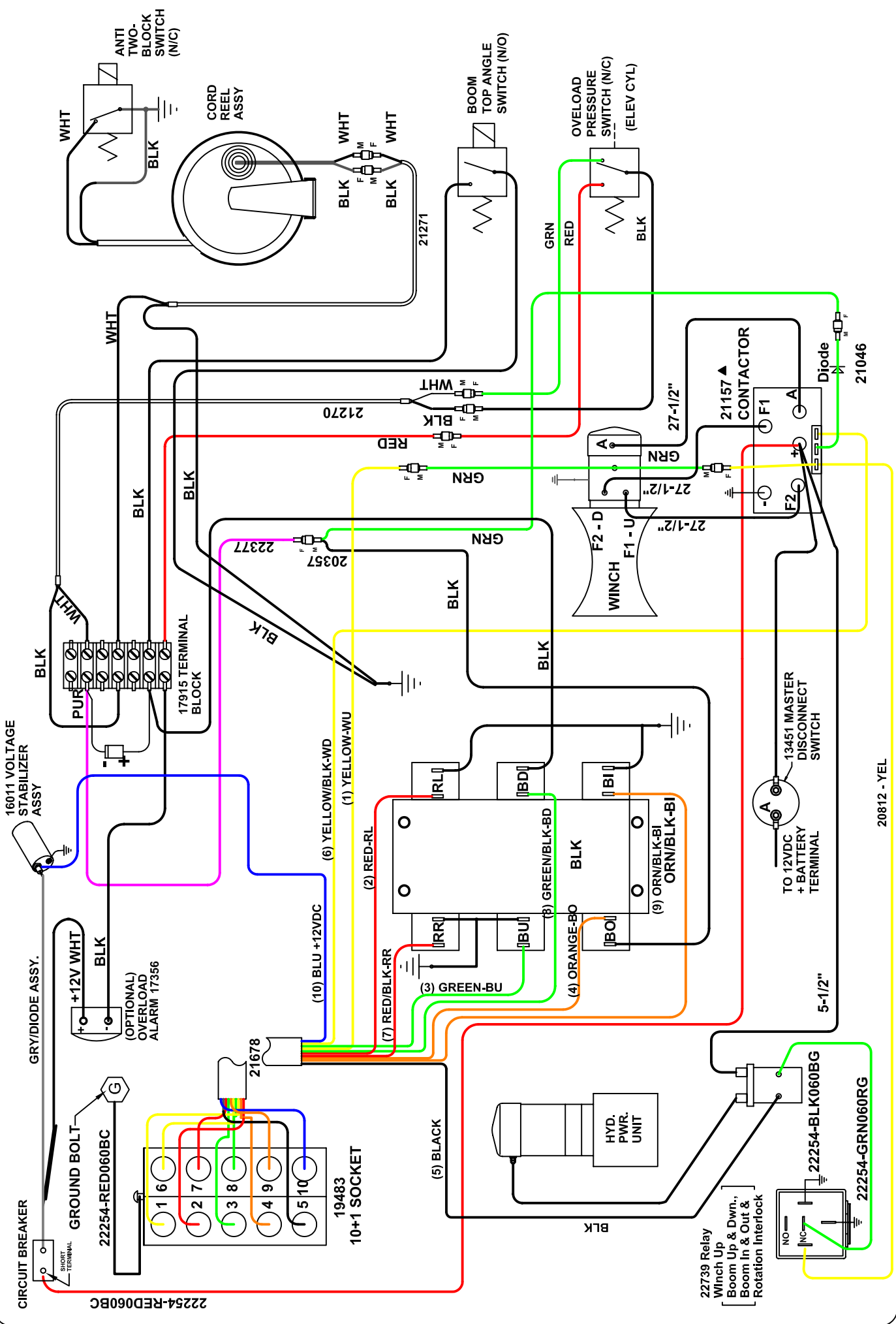
SECTION  
C400

21776



ET25KX STARTING S/N 125300  
 ET30KX STARTING S/N 130300  
 ET36KX STARTING S/N 140300

	VENCO VENTURO INDUSTRIES LLC CINCINNATI, OHIO	TITLE <b>WIRING DIAGRAM</b>	SECTION -
	ET25/30/36KX W/ HORN	DATE 12-22-14E SUPERSEDES 10-27-14D	21859

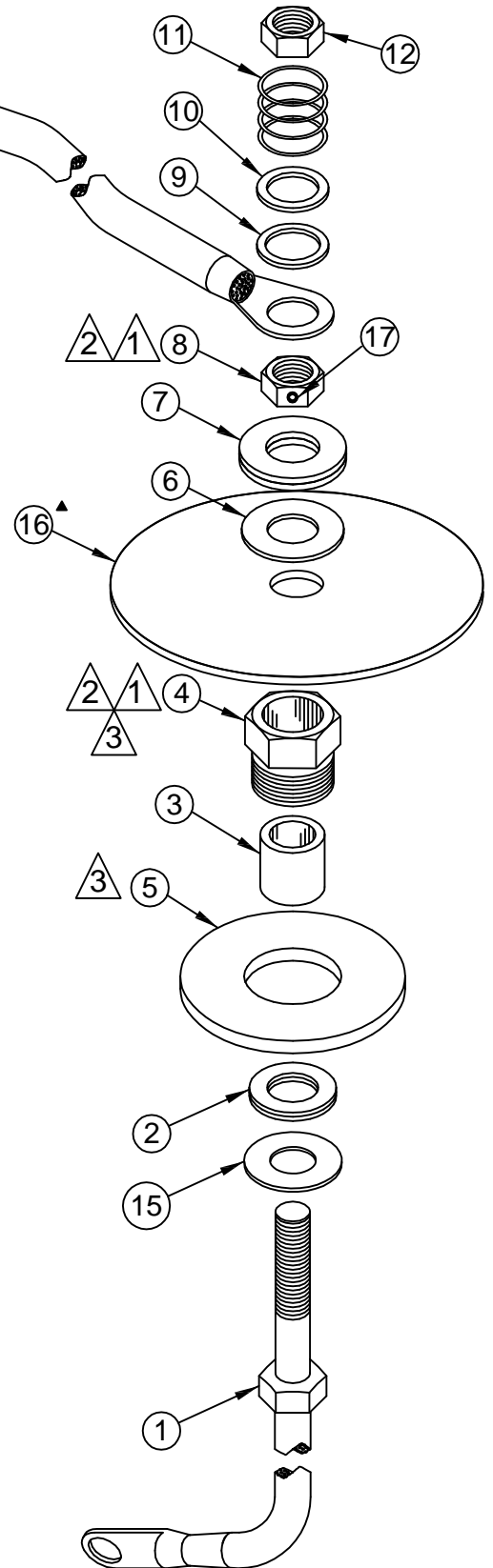


<b>VENTURO</b> MANUFACTURING, INC. CINCINNATI, OHIO		TITLE <b>WIRING DIAGRAM</b>	DATE <b>3-22-12C</b>	SECTION -
		ET30KX, ET25KX (GEN. C)	SUPERSEDES <b>7-21-11B</b>	<b>21859</b>

# 16780 / 16780-1 SWIVEL TERMINAL REPLACEMENT PARTS DRAWING / LIST

26035-1  
SWIVEL PIGTAIL - REF

ITEM	QTY	PART NO.	DESCRIPTION
1	1	16783	PIGTAIL & STUD ASSEMBLY
2	2	14357-1	FIBER WASHER; 5/8" I.D. X 1 1/16" O.D. X 1/16" THICK
3	1	14233	INSULATING BUSHING
4	1	14232	7/8" INVERTED FLARE NUT
5	1	!FWSH-113SAE	FLAT WASHER; 1 3/16" I.D. X 2 3/4" O.D. X 3/16" THICK
6	1	14357-2	FIBER WASHER; 5/8" I,D, X 1 1/4" O.D. X 1/16" THICK
7	2	!FWSH-063SAE	FLAT WASHER; 5/8" SAE
8	1	21273	BRASS JAM NUT; 5/8-11
9	1	5612-162-62	TEFLON WASHER; 0.657" I.D. X 0.875" O.D. X 0.062" THICK
10	1	5714-113-62	BRASS WASHER
11	1	LC-098K-00	SPRING; 0.845" O.D. X 0.098" WIRE X 1.00 F.L.
12	1	!JNUT-06311N	JAM NUT; 5/8-11, NYLON LOCK
13	1	LOCTITE-24205	LOCTITE; CAPSULE GRADE 242 BLUE
14	1	19368	16780 REPLACEMENT PARTS DRAWING
15	1	12534-5	BUSHING; 5/8" I.D. X 1" O.D. X 14 GA, ZINC
16	1	21756	SHIELD; HOUSING CENTER
17	1	!SHCS02528025KC	SET SCREW; 1/4-28 X 1/4", KNURLED CAP



\* ITEMS INCLUDED IN 16780-KIT (REPLACEMENT PARTS KIT)

16780 SWIVEL TERMINAL ASSY REPLACES & IS INTERCHANGEABLE WITH 14231 SWIVEL TERMINAL ASSY ON ET20000 & ET20K(X) CRANES

 TORQUE TO 30 FT-LBS

 SECURE WITH LOCTITE 242 BLUE

 16780-1 ASSY DOESN'T INCLUDE ITEM 4 OR 5



VENCO VENTURO INDUSTRIES LLC  
CINCINNATI, OHIO

TITLE  
RPL. PARTS DWG / LIST  
ET16/18/25/30/36KX

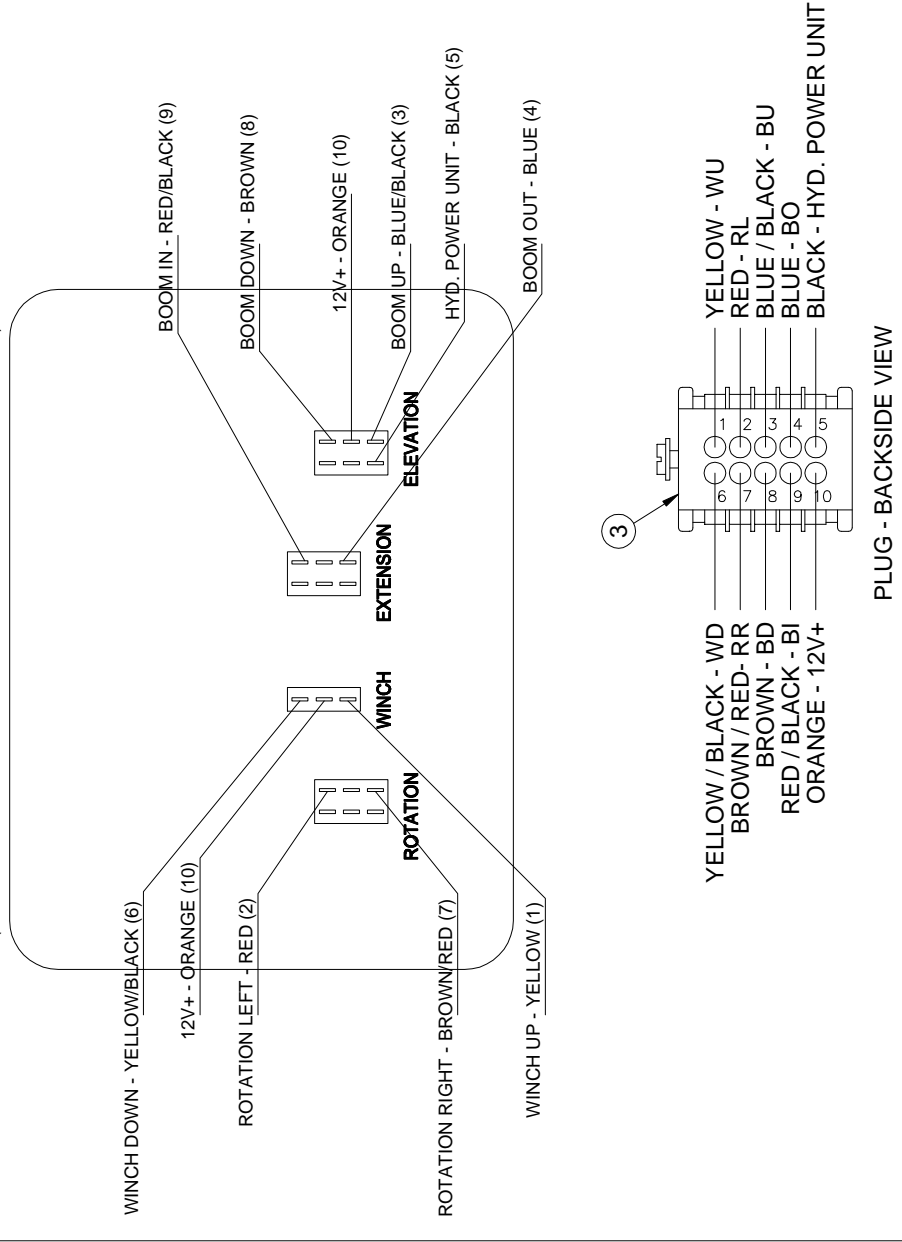
DATE  
10-23-14J  
SUPERSEDES  
08-10-12H

SECTION  
C400  
19368

# 22060 PENDANT (4 - SWITCH)

## CORD REPLACEMENT INSTRUCTIONS

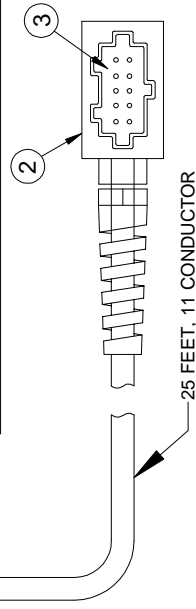
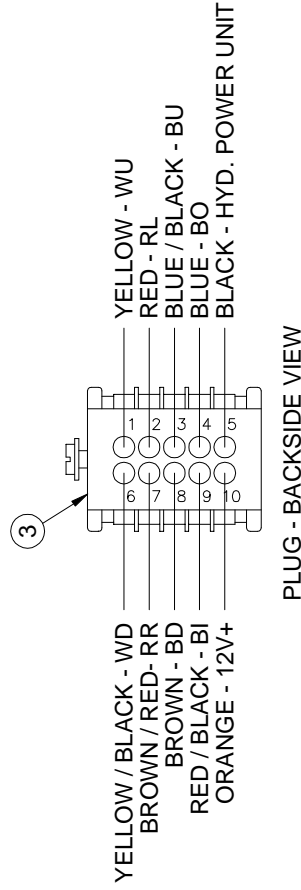
(INSIDE VIEW OF PENDANT CONTROL W/ REAR COVER REMOVED)



NOTE 1)  
WIRE TERMINALS TO BE  
INSTALLED 'AFTER' ROUTING  
REPLACEMENT CORD ASSY  
THROUGH PENDANT HEAD  
AND PLUG HOUSING.

NOTE 2)  
TOGGLE SWITCH JUMPER  
WIRES NOT SHOWN FOR  
CLARITY.

NOTE 3)  
STOW OR CUT-BACK  
UNUSED WIRES.



ITEM	QTY	PART NO.	DESCRIPTION
4	3	22152	DPDT MOMENTARY TOGGLE SWITCH
3	1	19427	MALE INSERT - 10 + 1 POLE
2	1	19426	PLUG CASE - 10 + 1 POLE
1	1	22081	SPDT MOMENTARY TOGGLE SWITCH

TITLE  
**REPLACEMENT PARTS DRAWING & LIST**

22060 PENDANT (STANDARD CONTROL)

DATE  
12-10-13C

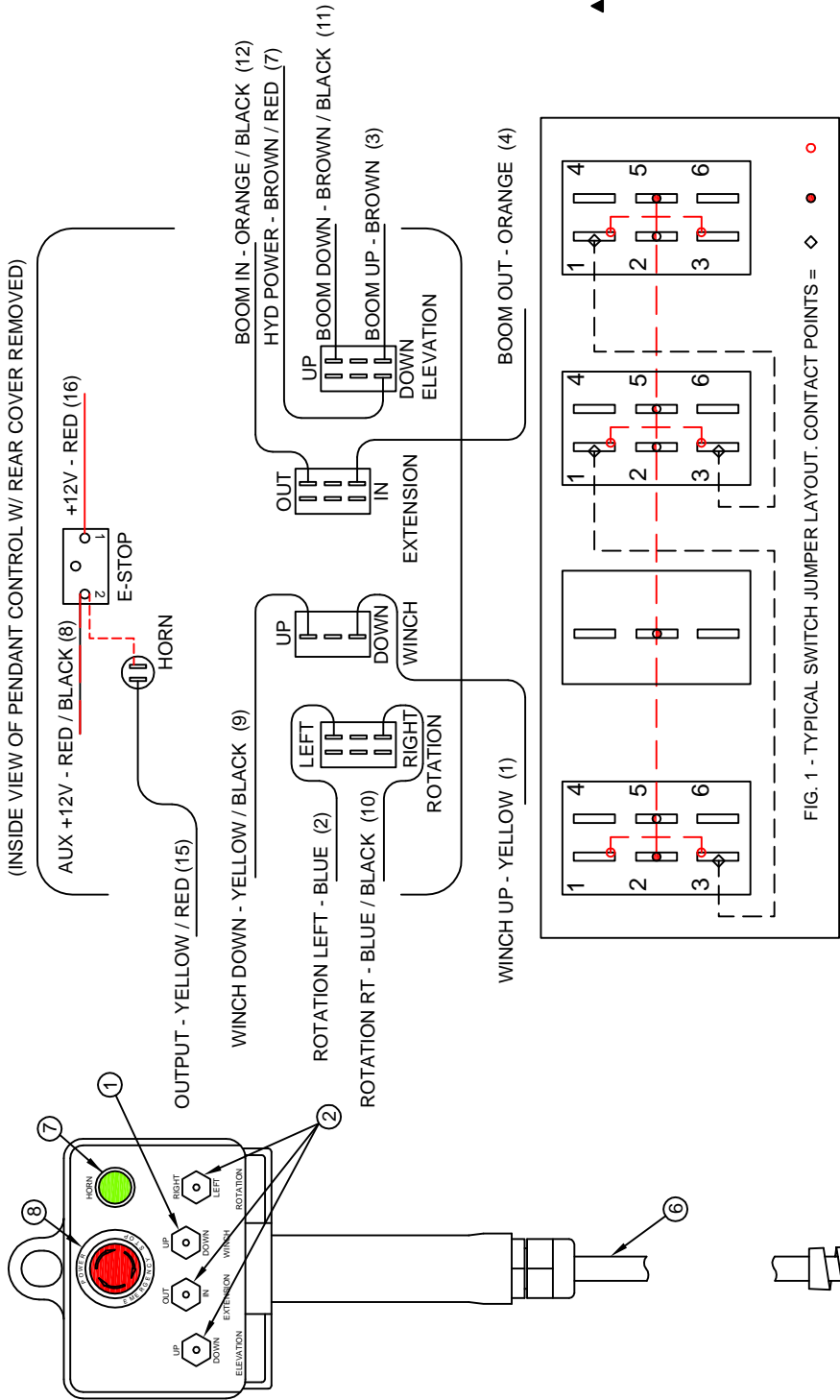
SUPERSEDES  
09-28-12B

SECTION  
C400

22076

**VENTURO**<sup>®</sup>  
MANUFACTURING, INC.  
CINCINNATI, OHIO

# 21990 PENDANT; 4 FUNCTION ET CRANES, E-STOP / HORN



NOTE 1:

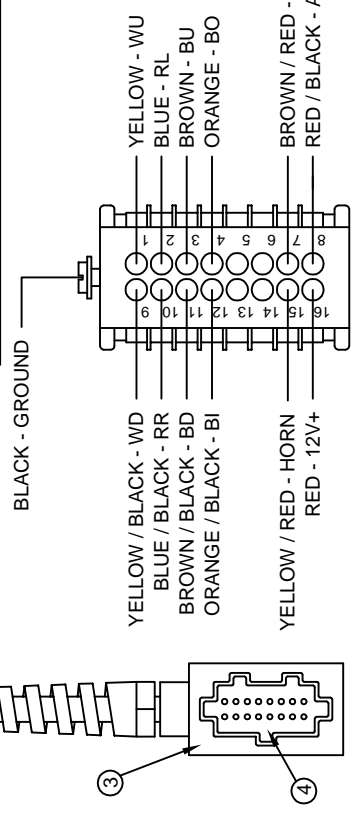
WIRE TERMINALS TO BE INSTALLED 'AFTER' ROUTING REPLACEMENT CORD ASSY THROUGH PENDANT HEAD AND PLUG HOUSING.

NOTE 2:

STOW OR CUT BACK UNUSED WIRES.

MODEL	STARTING S/N
ET8KX	73800
ET12KX	69800
ET16KX	170000
ET18KX	95900
ET25KX	125300
ET30KX	130300
ET36KXX	140300

FIG. 1 - TYPICAL SWITCH JUMPER LAYOUT. CONTACT POINTS =  $\diamond$   $\bullet$   $\circ$



ITEM	QTY	PART NO.	DESCRIPTION
8	1	22156	SWITCH; E-STOP
7	1	22155	SWITCH; PUSHBUTTON, HORN
6	1	22135	KIT; REPLACEMENT CORD ASSY
5	-	-	-
4	1	22472	INSERT; MALE, 16 + 1 POLE
3	1	22471	PLUG CASE; 16 + 1 POLE
2	3	22152	SWITCH; DPDT, MOMENTARY
1	1	22081	SWITCH; SPDT, MOMENTARY

16-PIN PLUG ASSY.

16-PIN PLUG - BACKSIDE VIEW

VENCO VENTURO INDUSTRIES LLC  
CINCINNATI, OHIO

TITLE: **REPLACEMENT PARTS DWG & LIST**

DATE: 10-20-14A  
SUPERSEDES: 10-03-14

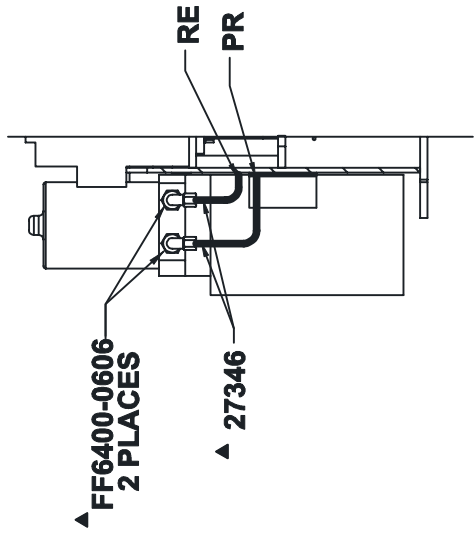
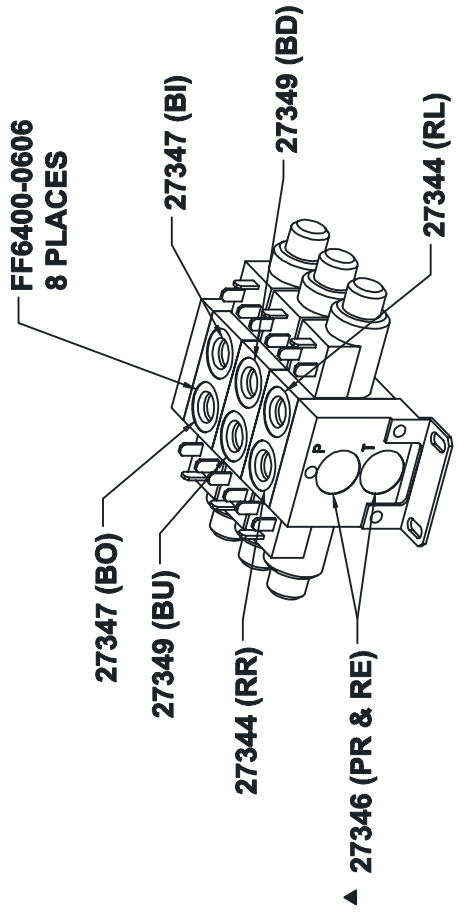
SECTION: C400

21990 PNDNT; 4 FNCTN ET CRNS, ESTP/HRN

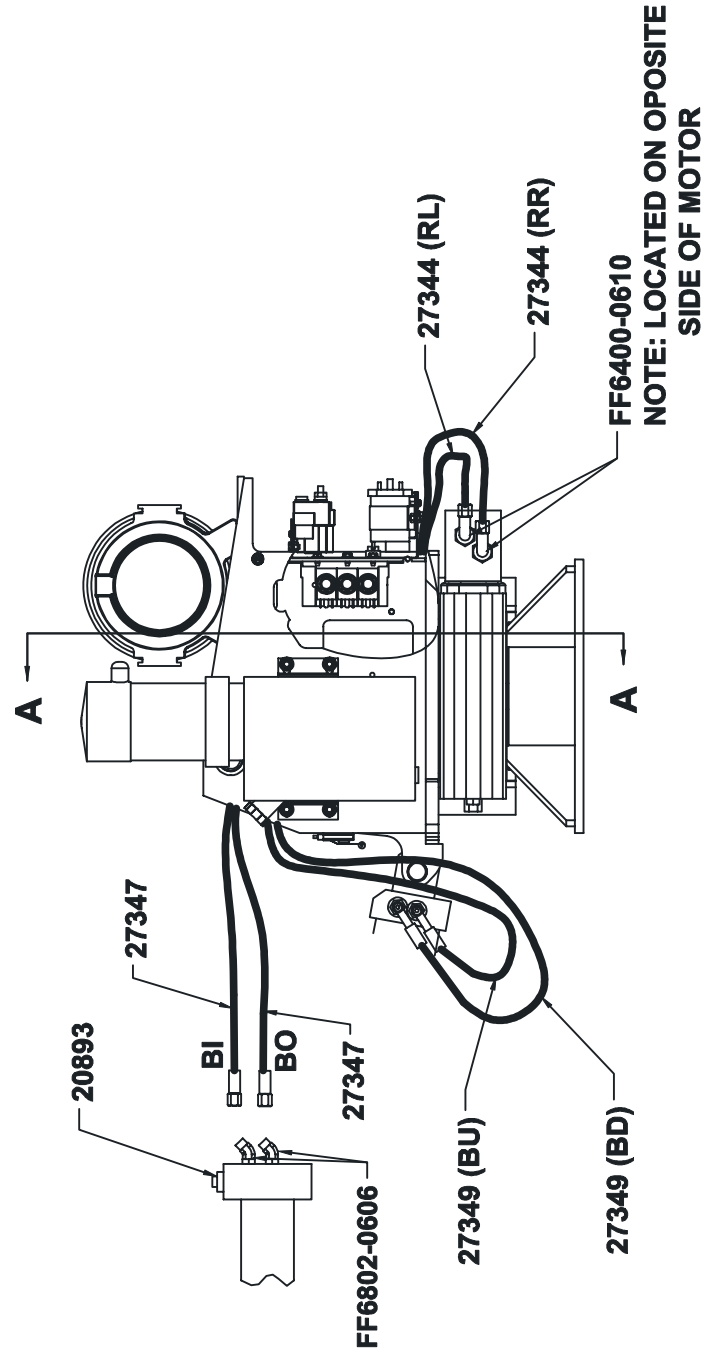
23075



RR	ROTATION RIGHT
RL	ROTATION LEFT
BO	BOOM OUT
BI	BOOM IN
BU	BOOM UP
BD	BOOM DOWN
PR	PRESSURE
RE	RETURN

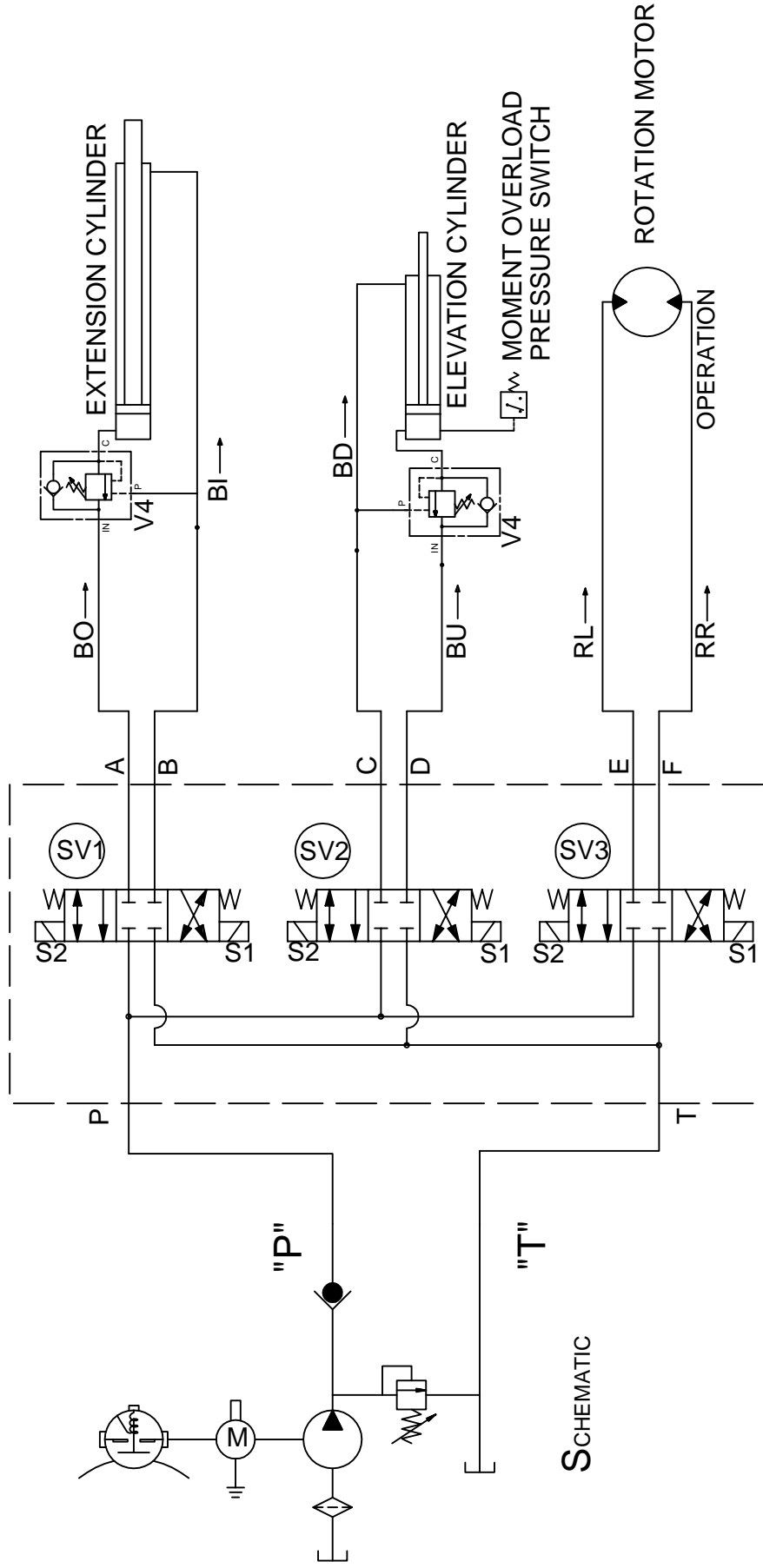


SECTION VIEW A-A



TITLE	REPLACEMENT PARTS DRAWING	SECTION	C400
DATE	6-8-10B	DATE	6-8-10B
	^ ET25/30/36KX HYD. COMPONENTS	SUPERSEDES	8-17-09A
			21758

# ET16/18/25/30/36KX HYDRAULIC COMPONENT DIAGRAM

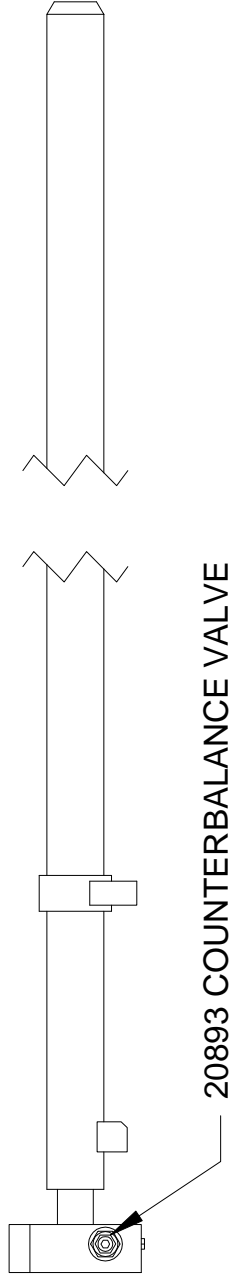


SCHMATIC

- SV1
 ENERGIZE "S2"  
 OPEN FLOW  
 'P' TO 'A'  
 'B' TO 'T'
- SV2
 ENERGIZE "S2"  
 OPEN FLOW  
 'P' TO 'C'  
 'D' TO 'T'
- SV3
 ENERGIZE "S2"  
 OPEN FLOW  
 'P' TO 'E'  
 'F' TO 'T'
- S1
 ENERGIZE "S1"  
 OPEN FLOW  
 'P' TO 'B'  
 'A' TO 'T'
- S2
 ENERGIZE "S2"  
 OPEN FLOW  
 'P' TO 'C'  
 'D' TO 'T'
- S3
 ENERGIZE "S1"  
 OPEN FLOW  
 'P' TO 'D'  
 'C' TO 'T'

	VENCO VENTURO INDUSTRIES LLC CINCINNATI, OHIO	TITLE <b>HYDRAULIC SYSTEM DIAGRAM</b>	DATE 10-23-14D SUPERSEDES 01-31-05C	SECTION <b>C400</b>
ET16/18/25/30/36KX ▲			<b>20156</b>	

# 20061 EXTENSION CYLINDER



SEAL KIT P/N: 19887



MANUFACTURING, INC.  
CINCINNATI, OHIO

TITLE

EXTENSION CYLINDER

ET/HT25/30KX

DATE

01-07-14A

SUPERSEDES

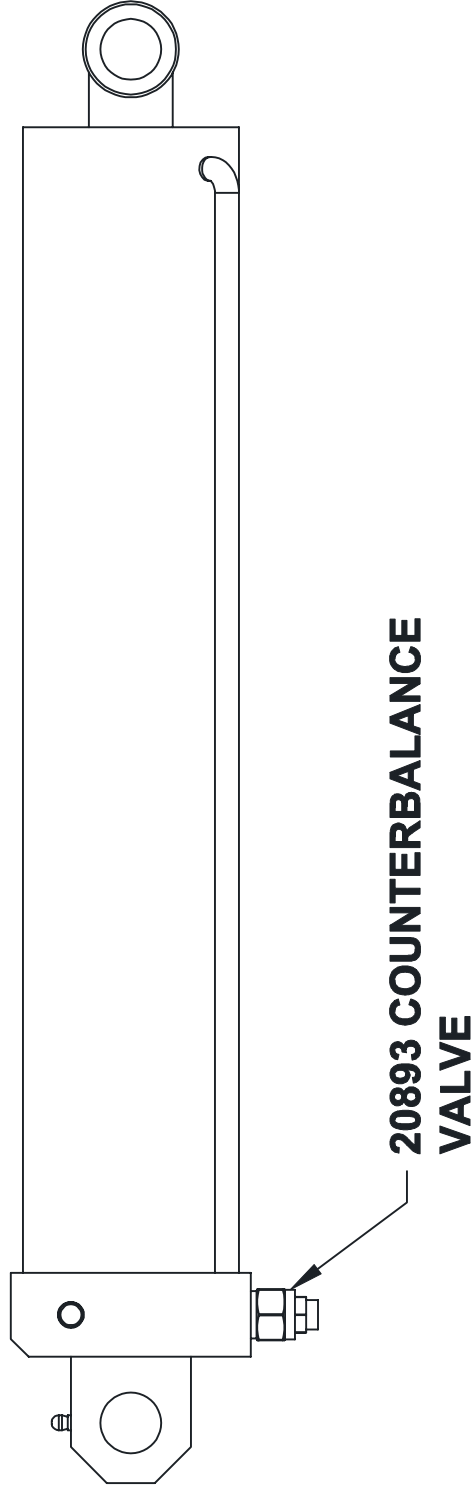
08-20-09

SECTION

C400

21879

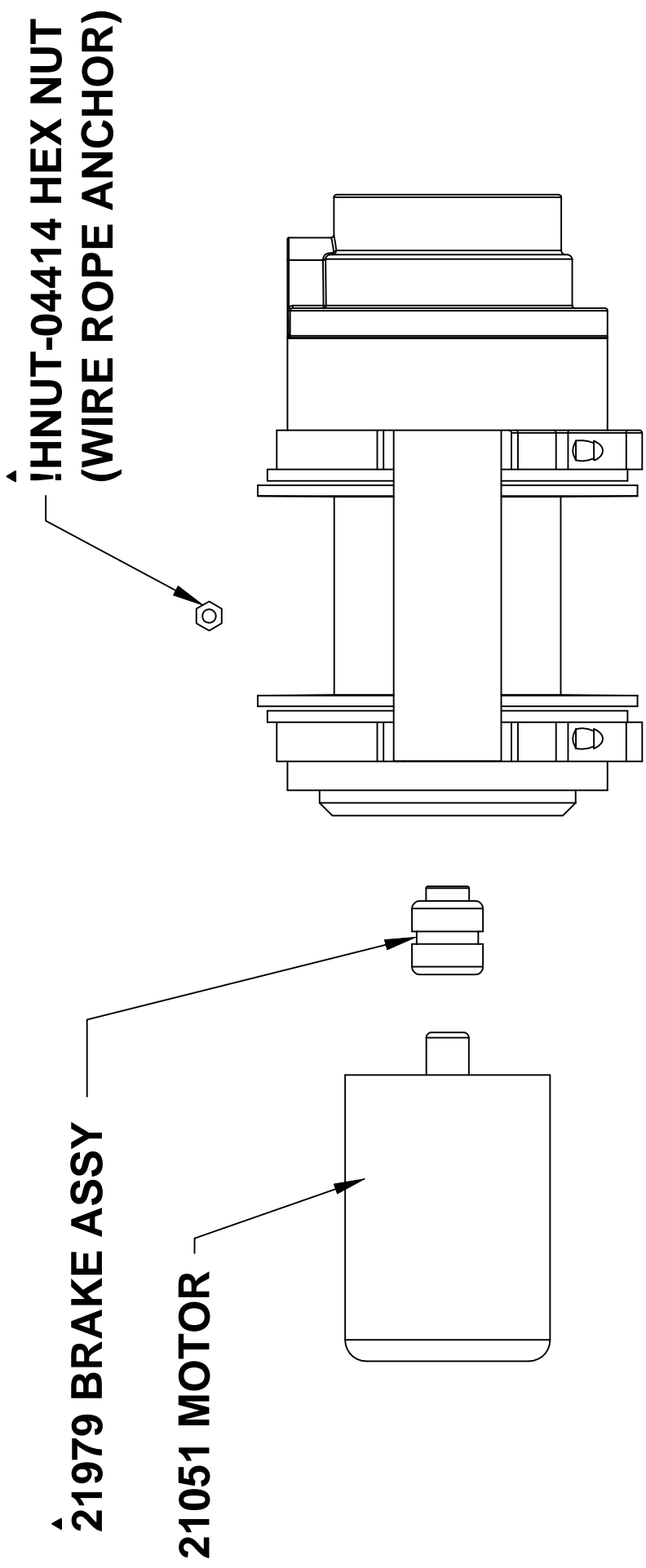
# 21752 ELEVATION CYLINDER



SEAL KIT P/N: 21774

 MANUFACTURING, INC. CINCINNATI, OHIO	TITLE	DATE	SECTION
	ELEVATION CYLINDER ET/HT25/30/36KX(X)	8-12-09 SUPERSEDES -	C400 21773

# 19813 WINCH REPLACEMENT PARTS

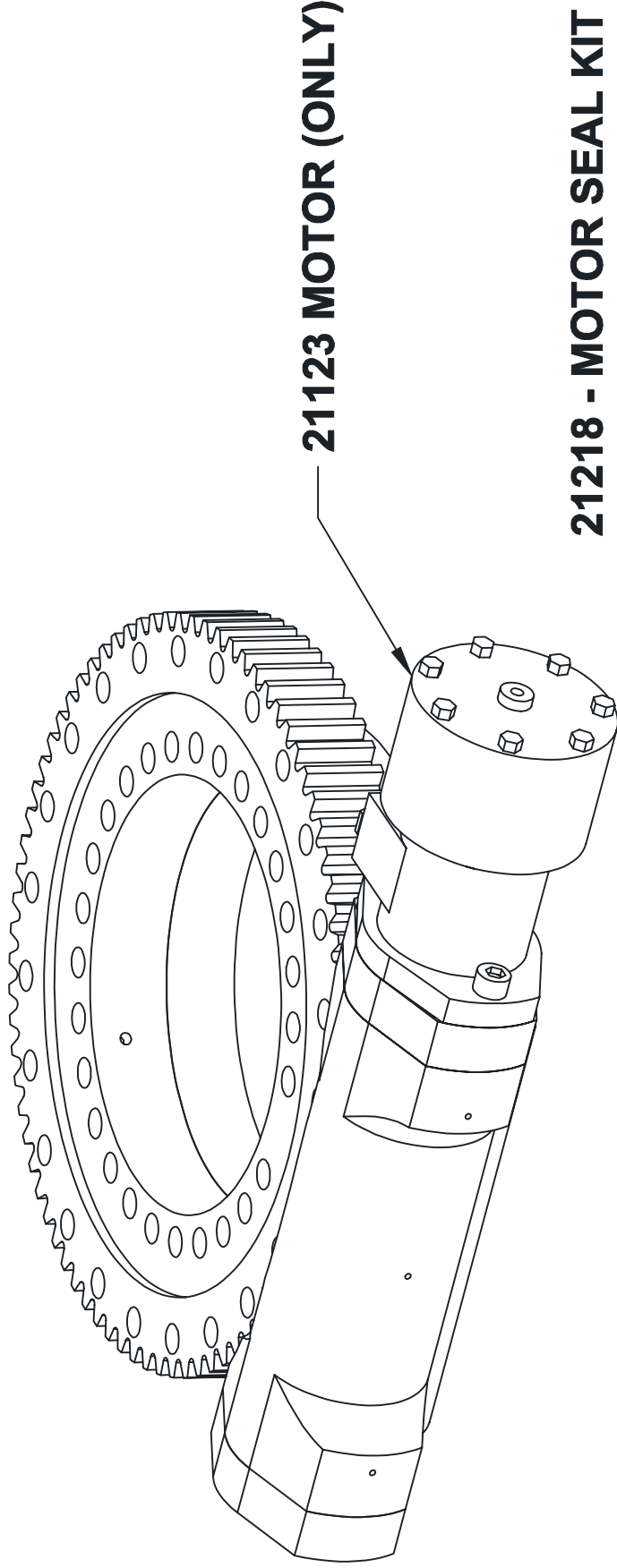


21979 BRAKE ASSY

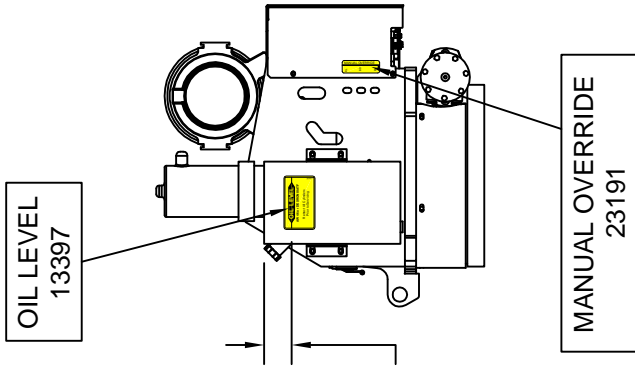
21051 MOTOR

1HNUT-04414 HEX NUT  
(WIRE ROPE ANCHOR)

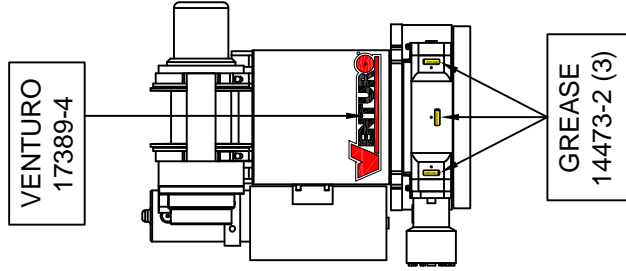
# 21418 SLEWING SYSTEM REPLACEMENT PARTS



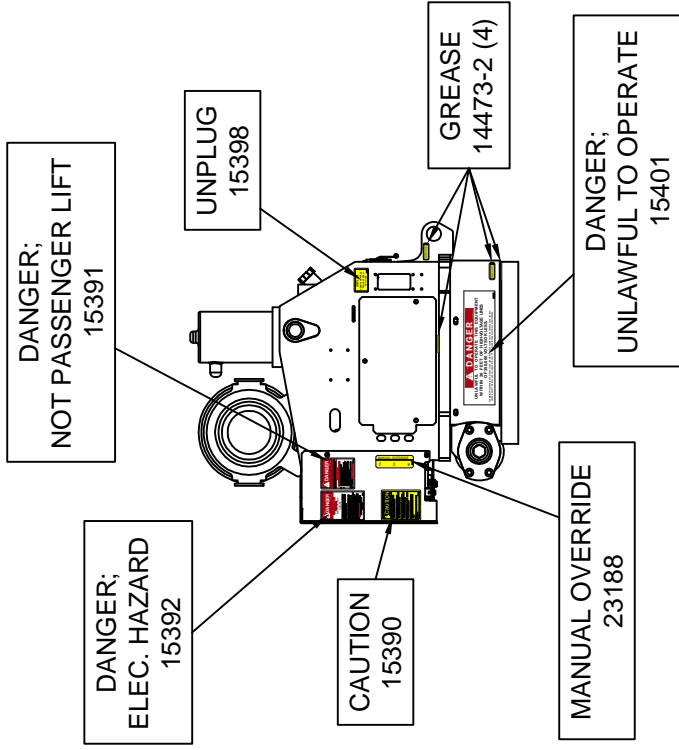
<b>VENTURO</b> MANUFACTURING, INC. CINCINNATI, OHIO	TITLE	SLEWING REPLACEMENT PARTS	DATE	08-24-09	SECTION	-
		ET25/30KX	SUPERSEDES	-		21886



**LEFT**



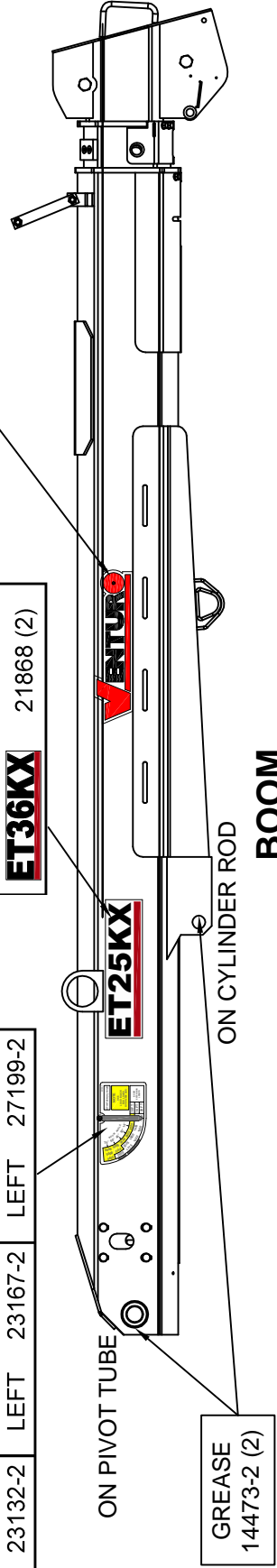
**BACK**



**RIGHT**

CAPACITY	
ET25KX	ET36KX
RIGHT 23132-1	RIGHT 23167-1
LEFT 23132-2	LEFT 23167-2

MODEL	
<b>ET25KX</b>	19743 (2)
<b>ET30KX</b>	23168 (2)
<b>ET36KX</b>	21868 (2)



**BOOM**



VENCO VENTURO INDUSTRIES LLC  
CINCINNATI, OHIO

TITLE  
DECAL PLACEMENT

DATE 05-19-15D  
SECTION C400  
SUPERSEDES 08-08-12C  
21894

# ▲ ET25/30/36KX FIELD SERVICE LABEL KITS

## ▲ 21898; FIELD SERVICE LABEL KIT, ET25KX

PART NO.	QTY.	DESCRIPTION
14473-2	9	DECAL; GREASE
17389	2	DECAL; VENTURO, MEDIUM
17389-4	1	DECAL; VENTURO, SMALL
23132-1	1	DECAL; BOOM CAPACITY, RIGHT, ET/HT25KX
23132-2	1	DECAL; BOOM CAPACITY, LEFT, ET/HT25KX
19743	2	DECAL; MODEL NAME, ET25KX
13397	1	DECAL; OIL LEVEL
23188	1	DECAL; MANUAL OVERRIDE, RIGHT
23191	1	DECAL; MANUAL OVERRIDE, LEFT
17813	1	DECAL; OVERLOAD SENSING SYSTEM
21899	1	IDWG; FIELD SERVICE LABEL KIT
21894	1	IDWG; DECAL PLACEMENT
INST-23233	1	SAFETY MANUAL, VENTURO CRANES
15397	1	KIT; ACCIDENT PREVENTION SIGNS

APPLICABLE SERIAL NUMBERS: 125000 - CURRENT

## ▲ 21863; FIELD SERVICE LABEL KIT, ET30KX

PART NO.	QTY.	DESCRIPTION
14473-2	9	DECAL; GREASE
17389	2	DECAL; VENTURO LOGO, MEDIUM
17389-4	1	DECAL; VENTURO LOGO, SMALL
23167-1	1	DECAL; BOOM CAPACITY, RIGHT, ET/HT30K(X)
23167-2	1	DECAL; BOOM CAPACITY, LEFT, ET/HT30K(X)
23168	2	DECAL; MODEL NAME, ET30KX
13397	1	DECAL; OIL LEVEL
23188	1	DECAL; MANUAL OVERRIDE, RIGHT
23191	1	DECAL; MANUAL OVERRIDE, LEFT
17813	1	DECAL; OVERLOAD SENSING SYSTEM
21899	1	IDWG; FIELD SERVICE LABEL KIT LIST
21894	1	IDWG; DECAL PLACEMENT
INST-23233	1	SAFETY MANUAL, VENTURO CRANES
15397	1	KIT; ACCIDENT PREVENTION SIGNS

APPLICABLE SERIAL NUMBERS: 130000 - CURRENT

## ▲ 21866; FIELD SERVICE LABEL KIT, ET36KX

PART NO.	QTY.	DESCRIPTION
14473-2	9	DECAL; GREASE
17389	2	DECAL; VENTURO LOGO, MEDIUM
17389-4	1	DECAL; VENTURO LOGO, SMALL
27199-1	1	DECAL; BOOM CAPACITY, RIGHT, ET36KX
27199-2	1	DECAL; BOOM CAPACITY, LEFT, ET36KX
21868	2	DECAL; MODEL NAME, ET36KX
13397	1	DECAL; OIL LEVEL
23188	1	DECAL; MANUAL OVERRIDE, RIGHT
23191	1	DECAL; MANUAL OVERRIDE, LEFT
17813	1	DECAL; OVERLOAD SENSING SYSTEM
21899	1	IDWG; FIELD SERVICE LABEL KIT LIST
21894	1	IDWG; DECAL PLACEMENT
INST-23233	1	SAFETY MANUAL, VENTURO CRANES
15397	1	KIT; ACCIDENT PREVENTION SIGNS

APPLICABLE SERIAL NUMBERS: 140000 - CURRENT

15397 ACCIDENT PREVENTION SIGNS		
PART NO.	QTY.	DESCRIPTION
15390	1	DECAL; CAUTION, OPERATIONS
15391	1	DECAL; DANGER, NOT PASSENGER LIFT
15392	1	DECAL; DANGER, ELECTRICAL HAZARD SIGN
15393	4	DECAL; DANGER, ELECTRICAL HAZARD
15394	1	APPLICATION INSTRUCTIONS
15398	1	DECAL; UNPLUG PENDANT
15401	1	DECAL; UNLAWFUL TO OPERATE
15513	1	DECAL; MASTER DISCONNECT
22317	1	DECAL SHEET; VENTURO, COMPLEMENTARY
20927	1	DECAL; CRANE STABILITY



VENCO VENTURO INDUSTRIES LLC  
CINCINNATI, OHIO

TITLE  
FIELD SERVICE LABEL KIT  
ET25/30/36KX ▲

DATE  
05-22-15D  
SUPERSEDES  
05-15-13C

SECTION  
C400  
21899











## VENTURO CRANES LIMITED WARRANTY POLICY

Venturo products are built to last...we guarantee them.

As a purchaser of any new Venturo product covered by warranty, you will receive 1 year of the most complete coverage available...and, at no added cost to you.

### 1-Year Limited Warranty Policy

This limited policy warrants new products of Venturo to be free from defects in material and workmanship for a period of one (1) year from date of original installation. OEM products or accessories purchased by Venturo as part of or offered with our product will carry the OEM manufacturer's respective warranty. Our warranty covers:

- ***Repair or replacement of product***
- ***Labor to repair or replace product***
- ***Freight to return and/or replace product***

We shall not be liable for any contingent liabilities arising out of the improper function of any products. Warranty shall become void if the product is improperly installed, modified, damaged, abused or used for application other than intended use. There is no warranty of merchantability, fitness for a particular purpose, warranty arising from course of dealing or usage of trade, or any other implied or expressed warranty, except as made specifically herein. This warranty supersedes all previous warranties, written or implied.

### Warranty Claims

Venco Venturo Industries LLC will make a good faith effort for prompt correction or other adjustment with respect to any product, which proves to be defective after our inspection and within the warranty period. Before any repairs are attempted or before returning any product, your Venturo Distributor is required to obtain a warranty claim number. This number is necessary for any claim to be considered. To obtain a warranty claim number, Venturo requires the model and serial number. Only authorized Venturo Distributors can perform warranty. For the name and address of your local Venturo Distributor call the **Warranty Claim Department - 513-772-8448**.

**WARNING** - It is the responsibility of the installer to ensure the installation is completed according to the manufacturer's recommendations, ensure the ultimate user understands how to operate product in a safe manner, and understands the need for regular service and maintenance by an authorized Venturo Distributor. No modifications or alterations may be made to any Venturo product without the expressed written consent of Venco Venturo Industries LLC. Installation of any Venturo product must be done by an authorized Venturo Distributor, to the standards of the industry; including maintenance, service and affixing of all instruction, safety and warning decals. Users should be instructed as to the safe operation at time of delivery. Maintenance, service, operation and safety warning decals are available on request from Venco Venturo Industries LLC.

**VENCO VENTURO INDUSTRIES LLC**  
12110 BEST PLACE | CINCINNATI, OHIO 45241  
P: 800-226-2238 | F: 513-326-5427  
[www.venturo.com](http://www.venturo.com)